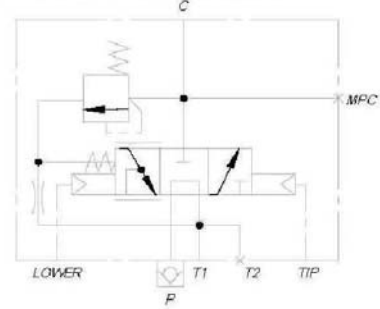
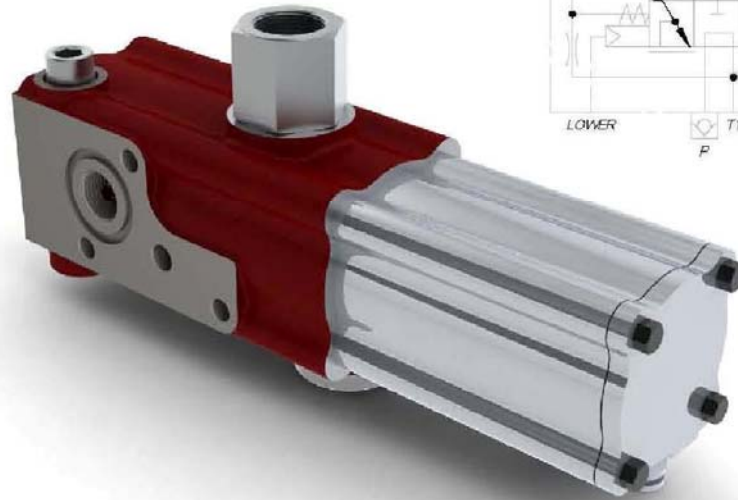


PROPORTIONAL TIPPING VALVE -AIR OPERATING



Specifications

type	: Spool valve with pressureless bypass in neutral. Oil flow in lowering position is proportional with pneumatic pilot pressure .
hydraulic connectional	: G1"
max. peak pressure	: 350 bar
pneumatic pilot pressure	: 6-10 bar
max. flow	: 220 L/min. (see Δp -Q characteristic)
max. pressure on T-conn.	: 15 bar
filtration	: $\leq 25\mu\text{m}$ (ISO 18/13)
Oil types	: mineral oil (DIN 51524/51525)
Viscosity range	: 12 / 100 mm ² /s
Temperature range	: -25 / +80 °C
mass	: 6.4 kg

types

Part No.	Max. Pressure
01-150	150
02-170	170
03-190	190
04-220	220
05-250	250
06-280	280
07-350	350