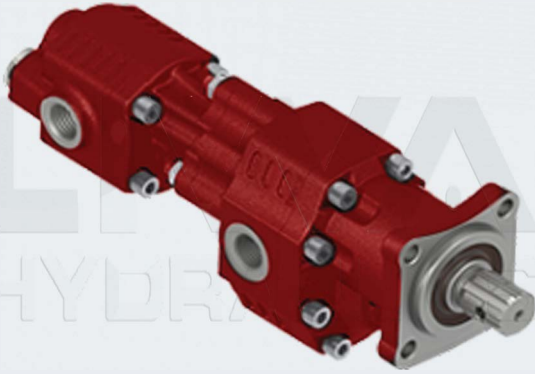
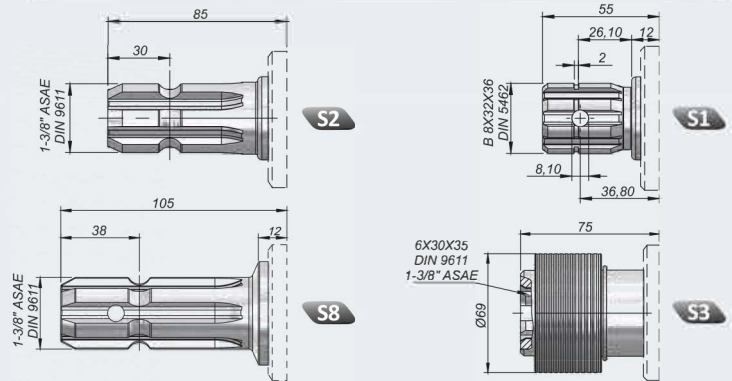


Gear Pump **30 SERIES TANDEM ISO**

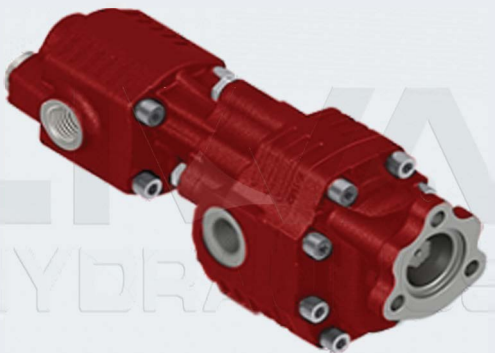


Available Shaft Types

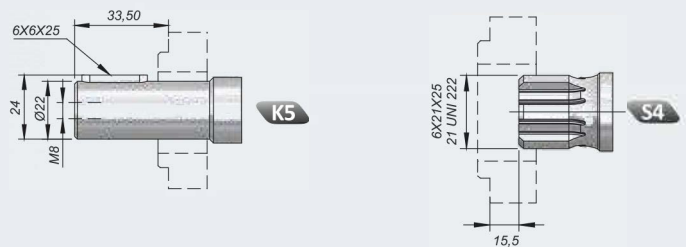


Product Code			Displacement (cm <sup>3</sup> / rev)	Max.Cont. Pressure (100%)(bar)	Max.Peak Pressure (6 sec.max.)(bar)	Max.Cont. Speed (rpm)	Inlet	Outlet
CCW Left	CW Right	Bi-Directional						
22747017	22748017	22749017	17	300	320	2600	G1/2"	G1/2"
22747027	22748027	22749027	27	290	310		2300	
22747034	22748034	22749034	34	285	305	2100		G1"
22747043	22748043	22749043	43	280	300			
22747051	22748051	22749051	51	230	280	2000	G1 1/4"	G1" - G3/4" (options)
22747061	22748061	22749061	61	225	260			
22747082	22748082	22749082	82	200	220	1700	G1 1/4"	G1" - G3/4" (options)
22747100	22748100	22749100	100	190	220			
22747125	22748125	22749125	125	170	200	1600	G1 1/4"	G1" - G3/4" (options)

Gear Pump **30 SERIES TANDEM UNI**



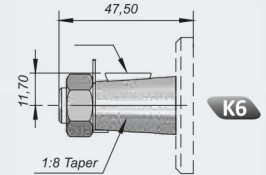
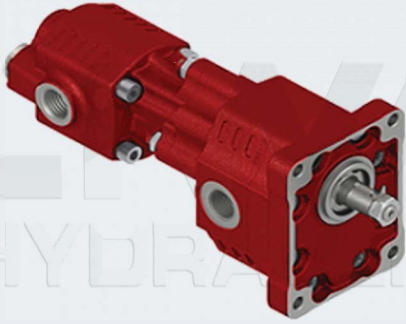
Available Shaft Types



Product Code			Displacement (cm <sup>3</sup> / rev)	Max.Cont. Pressure (100%)(bar)	Max.Peak Pressure (6 sec.max.)(bar)	Max.Cont. Speed (rpm)	Inlet	Outlet
CCW Left	CW Right	Bi-Directional						
22737017	22738017	22739017	17	300	320	2600	G1/2"	G1/2"
22737027	22738027	22739027	27	290	310		2300	
22737034	22738034	22739034	34	285	305	2100		G1"
22737043	22738043	22739043	43	280	300			
22737051	22738051	22739051	51	230	280	2000	G1 1/4"	G1" - G3/4" (options)
22737061	22738061	22739061	61	225	260			
22737082	22738082	22739082	82	200	220	1700	G1 1/4"	G1" - G3/4" (options)
22737100	22738100	22739100	100	190	220			
22737125	22738125	22739125	125	170	200	1600	G1 1/4"	G1" - G3/4" (options)

Gear Pump **30 SERIES TANDEM K TYPE**

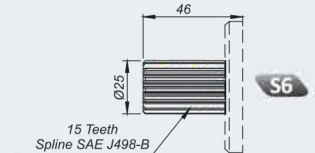
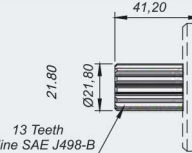
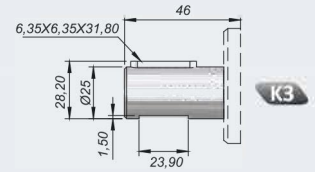
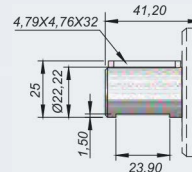
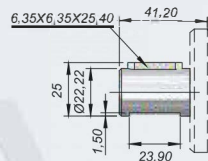
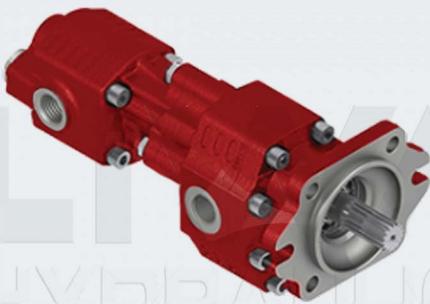
Available Shaft Types



Product Code			Displacement (cm <sup>3</sup> / rev)	Max.Cont. Pressure (100%)(bar)	Max.Peak Pressure (6 sec.max.)(bar)	Max.Cont. Speed (rpm)	Inlet	Outlet
CCW Left	CW Right	Bi-Directional						
22757017	22758017	22759017	17	300	320	2600	G1/2"	G1/2"
22757027	22758027	22759027	27	290	310			
22757034	22758034	22759034	34	285	305	2300	G3/4"	G3/4"
22757043	22758043	22759043	43	280	300			
22757051	22758051	22759051	51	230	280	2100	G1"	
22757061	22758061	22759061	61	225	260			
22757082	22758082	22759082	82	200	220	1700	G1 1/4"	G1" - G3/4" (options)
22757100	22758100	22759100	100	190	220			
22757125	22758125	22759125	125	170	200			

Gear Pump **30 SERIES TANDEM SAE B**

Available Shaft Types



Product Code			Displacement (cm <sup>3</sup> / rev)	Max.Cont. Pressure (100%)(bar)	Max.Peak Pressure (6 sec.max.)(bar)	Max.Cont. Speed (rpm)	Inlet	Outlet
CCW Left	CW Right	Bi-Directional						
22767017	22768017	22769017	17	300	320	2600	G1/2"	G1/2"
22767027	22768027	22769027	27	290	310			
22767034	22768034	22769034	34	285	305	2300	G3/4"	G3/4"
22767043	22768043	22769043	43	280	300			
22767051	22768051	22769051	51	230	280	2100	G1"	
22767061	22768061	22769061	61	225	260			
22767082	22768082	22769082	82	200	220	1700	G1 1/4"	G1" - G3/4" (options)
22767100	22768100	22769100	100	190	220			
22767125	22768125	22769125	125	170	200			