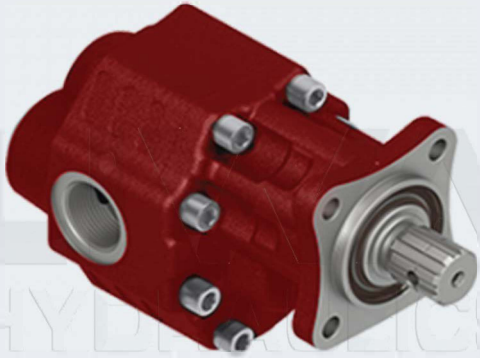
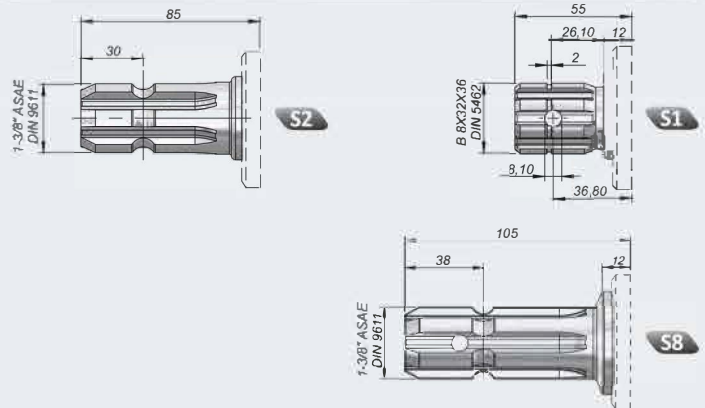


Gear Pump **35 SERIES ISO BI-DIRECTIONAL**

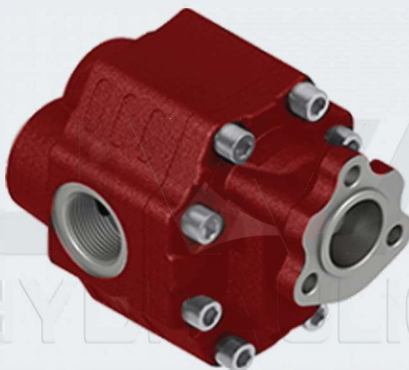


Available Shaft Types

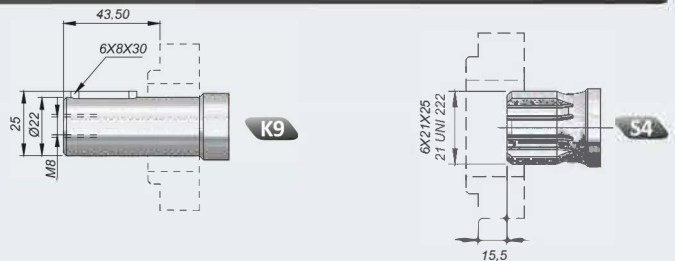


Product Code	Displacement (cm ³ / rev)	Max.Cont. Pressure (100%)(bar)	Max.Peak Pressure (6 sec.max.)(bar)	Max.Cont. Speed (rpm)	Inlet	Outlet
35/ISO Bi-Directional						
22349060	60	250	290	1800	G1"	G1 1/4" (G1"options)
22349082	82	240	280			
22349090	90	230	270			
22349100	100	220	260		G1 1/4"	
22349110	110	205	250			
22349125	125	195	230			

Gear Pump **35 SERIES UNI BI-DIRECTIONAL**



Available Shaft Types



Product Code	Displacement (cm ³ / rev)	Max.Cont. Pressure (100%)(bar)	Max.Peak Pressure (6 sec.max.)(bar)	Max.Cont. Speed (rpm)	Inlet	Outlet
35/UNI Bi-Directional						
22339060	60	250	290	1800	G1"	G1 1/4" (G1"options)
22339082	82	240	280			
22339090	90	230	270			
22339100	100	220	260		G1 1/4"	
22339110	110	205	250			
22339125	125	195	230			