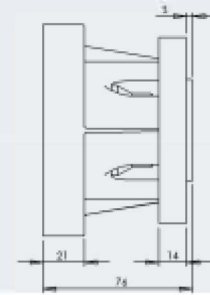
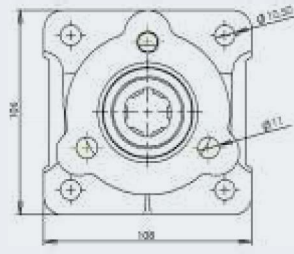
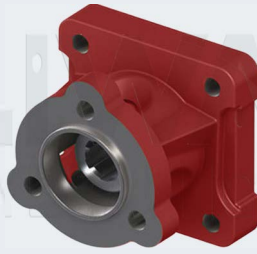
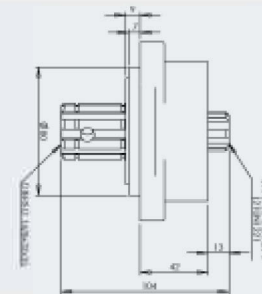
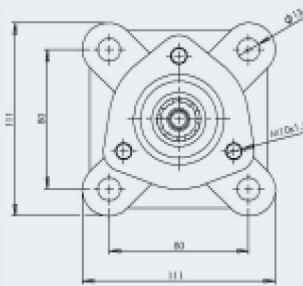


Adapter **3X4 ADAPTER**



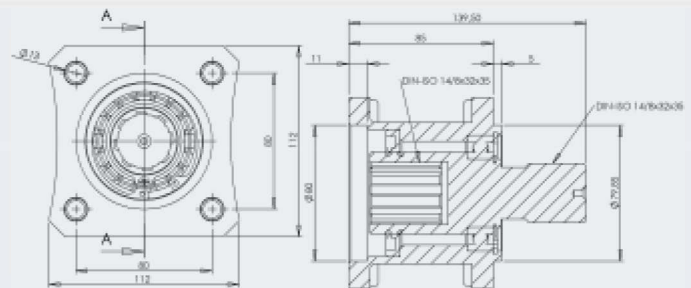
Product Code 66100710
Weight 2.6 kg

Adapter **4X3 ADAPTER**



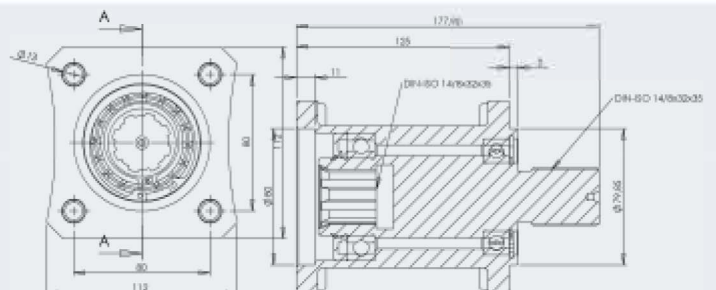
Product Code 66100720
Weight 2.6 kg

Adapter **4X4 ADAPTER WITH BEARING (SHORT)**



Product Code 66100731
Weight 3.6 kg

Adapter **4X4 ADAPTER WITH BEARING (LONG)**

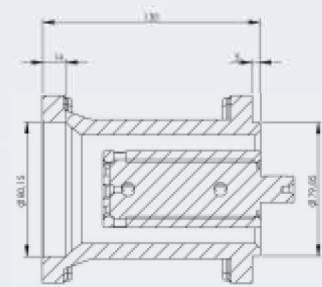
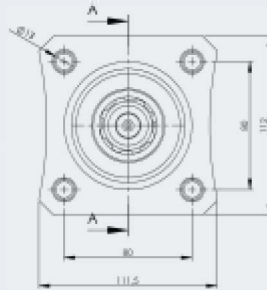


Product Code 66100732
Weight 5 kg

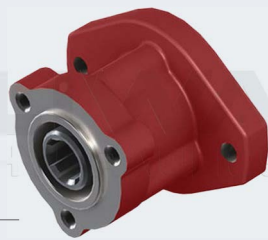
Adapter **4X4 ADAPTER UNIVERSAL**



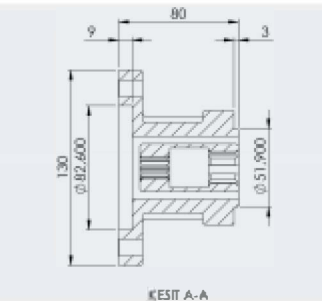
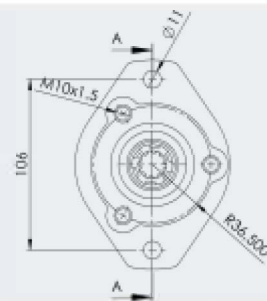
Product Code **66100730**
Weight **4 kg**



Adapter **3X2 SAE ADAPTER**



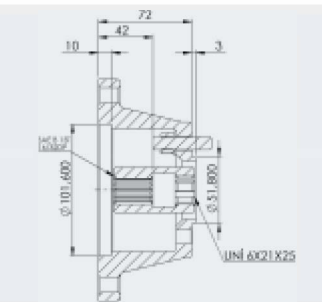
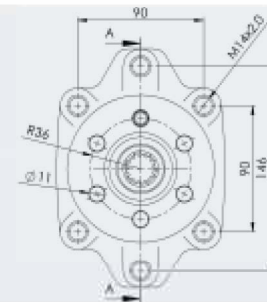
Product Code **66100741**
Weight **3.2 kg**



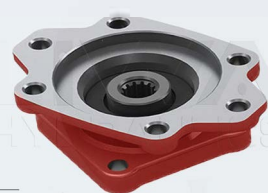
Adapter **PTO UNI PUMP SAE B**



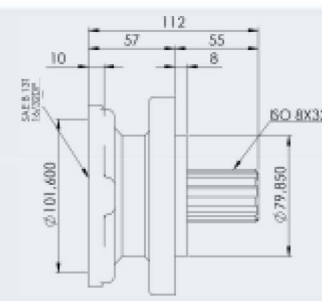
Product Code **66100742**
Weight **2.5 kg**



Adapter **PTO ISO PUMP SAE B**



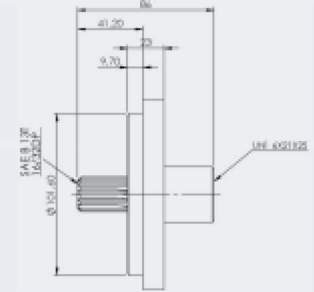
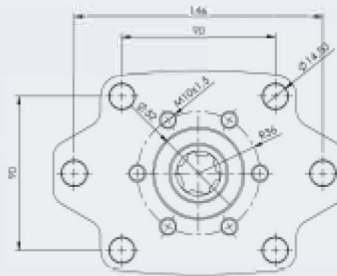
Product Code **66100743**
Weight **2.9 kg**



Adapter PTO SAE B - PUMP UNI



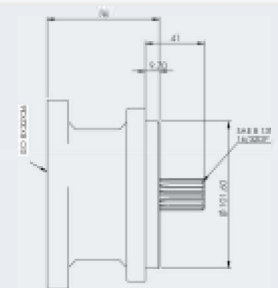
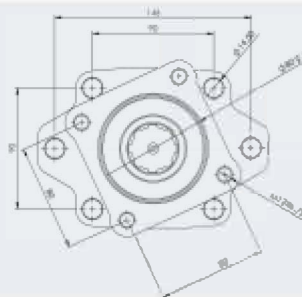
Product Code 66100744
Weight 2.3 kg



Adapter PTO SAE B - PUMP ISO



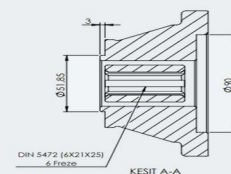
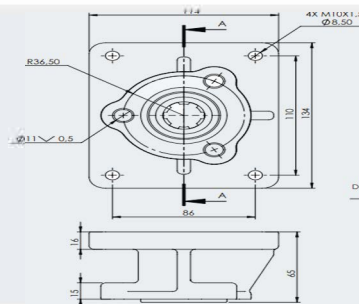
Product Code 66100745
Weight 3.5 kg



Adapter PTO UNI PUMP NS32 M4 ADAPTER



Product Code 66100746
Weight 2.3 kg



Adapter HEMA ADAPTER

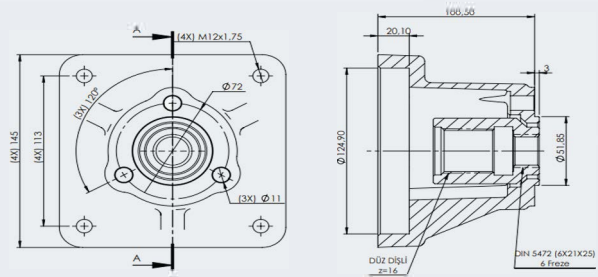


Product Code 66100747
Weight 3 kg

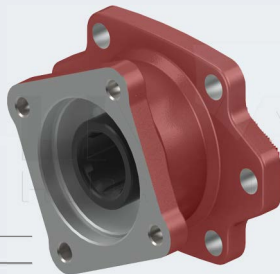
Adapter **PTO ISO-PUMP UNI RUS ADAPTER**



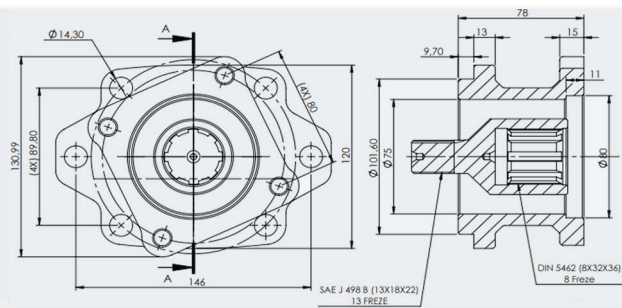
Product Code 66100748
Weight 3.7 kg



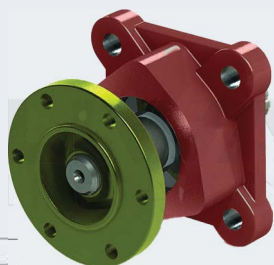
Adapter **PTO SAE B PUMP ISO**



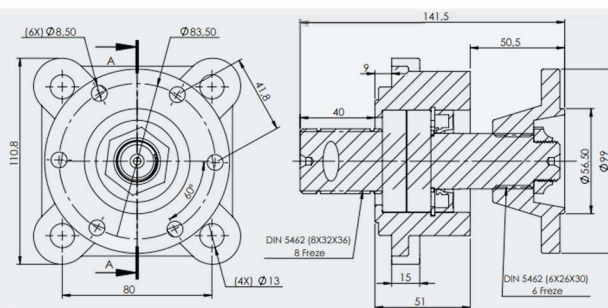
Product Code 66100749
Weight 3.5 kg



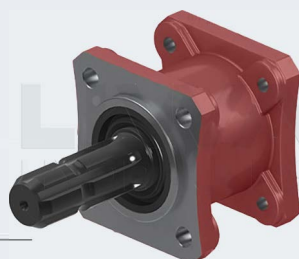
Adapter **ISO ADAPTER WITH FLANGE**



Product Code 66100740
Weight 3.6 kg



Adapter **AGRICULTURAL ADAPTER**



Product Code 66100731
Weight 4.2 kg

