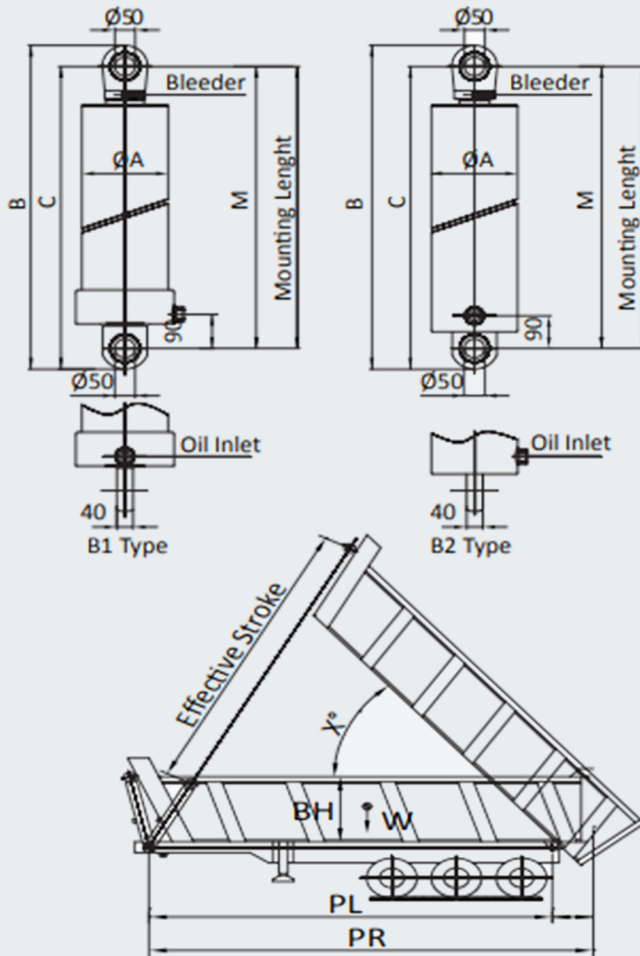


CYLINDERS FRONT TYPE TELESCOPIC CYLINDER B TYPE



Diameter	Thrust Force
190 bar	
mm	ton
212	68,4
185	52,1
160	39,0
135	27,7
115	20,1
95	13,7
75	8,6
55	4,6

- All cylinder materials are DIN 2391 St 52 BK+S
- Working pressure is 170 bar.
- Maximum working pressure is 190 bar.
- All stage surfaces are 50 micron hard chrome coated.

Product Code	Stage Number	PR	RO	BH	X°	Max. Tipping Weight	Weight	Oil Cap.	Stroke	ØA	B	C	Oil Inlet	M
	No	mm	mm	mm	°	ton	kg	lt	mm	mm	mm	mm	"	mm
LWCH-115-3-2526-B	3	3200-3500	200-300	400-1000	44-53	26-42	89	23	2526	136	1302	1246	¾	1191
LWCH-115-3-2979-B	3	3700-4000	200-400	400-1000	45-53	25-36	101	27	2979	136	1452	1396	¾	1341
LWCH-135-3-3225-B	3	4200-4600	200-600	400-1600	42-52	38-35	146	44	3225	161	1602	1546	¾	1491
LWCH-160-3-3225-B	3	4200-4600	200-600	400-1600	42-52	55-89	186	62	3225	186	1603	1547	¾	1492
LWCH-135-4-3368-B	4	4400-4800	200-600	400-1600	42-52	24-50	128	36	3368	161	1302	1246	¾	1191
LWCH-160-4-3368-B	4	4400-4800	200-600	400-1600	42-52	38-78	161	52	3368	186	1302	1246	¾	1191
LWCH-135-4-3968-B	4	5100-5700	200-600	400-1600	42-52	23-41	145	43	3968	161	1452	1396	¾	1341
LWCH-135-4-3968-B	4	5100-5700	200-600	400-1600	42-52	23-41	148	43	3968	161	1396	1340	¾	1290
LWCH-160-4-3968-B	4	5100-5700	200-600	400-1600	42-52	37-57	183	62	3968	186	1452	1396	¾	1341
LWCH-135-4-4300-B	4	5700-6400	400-800	800-2000	42-52	25-46	162	47	4300	161	1602	1546	¾	1491
LWCH-160-4-4300-B	4	5700-6400	400-800	800-2000	42-52	39-71	204	67	4300	186	1602	1546	¾	1491
LWCH-160-5-5375-B	5	6900-7700	400-800	800-2000	43-52	24-40	220	70	5375	186	1602	1546	¾	1491
LWCH-185-5-5375-B	5	6900-7700	400-800	800-2000	43-52	39-65	281	98	5375	214	1602	1546	¾	1491
LWCH-212-5-5375-B	5	6900-7700	400-800	800-2000	43-52	57-95	355	133	5375	243	1603	1547	1	1492