

LIWA
HYDRAULICS

**PRODUCT
CATALOGUE**



HIGH QUALITY HYDRAULIC EQUIPMENT

liwahydraulic.com



LIWA
HYDRAULICS

Welcome to Liwa Hydraulics,
Where Quality Meets Care.

At Liwa Hydraulics, we provide a wide range of high-quality hydraulic equipment to customers worldwide. With **20+** years of experience, our products are built for durability, and long-term operation under demanding conditions.

about us



products

Gear Pumps

Piston Pumps

Valves

Power Take Off

Cardan Shafts

Telescopic Cylinders

Oil Tanks

Adapters

PTO Control

Couplings & Flanges

Accessories

Hydraulic Hoses




Table of Contents

Gear Pumps 05 - 16

Piston Pumps 17 - 26

Valves 27 - 31

Power Take Off 32 - 112

Cardan Shafts 113 - 120

Telescopic Cylinders 121 - 126

Oil Tanks 127 - 161

Adapters 162 - 166

PTO Control 167 - 168

Couplings & Flanges 169 - 173

Accessories 174 - 177

Hydraulic Hoses 178 - 179

Hydraulic Wet Kits 180

Gear Pumps



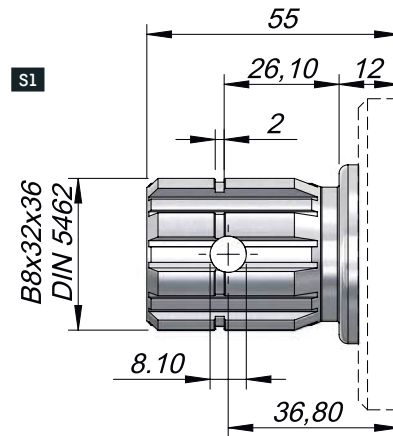
Gear pumps are widely used in hydraulic systems thanks to their simple and reliable design. They use two rotating gears to generate fluid pressure in the system. With consistent performance and proven durability, Liwa Hydraulics gear pumps are well-suited for a wide range of applications.



gear pumps

20 SERIES ISO BD GEAR PUMP

AVAILABLE SHAFT TYPES

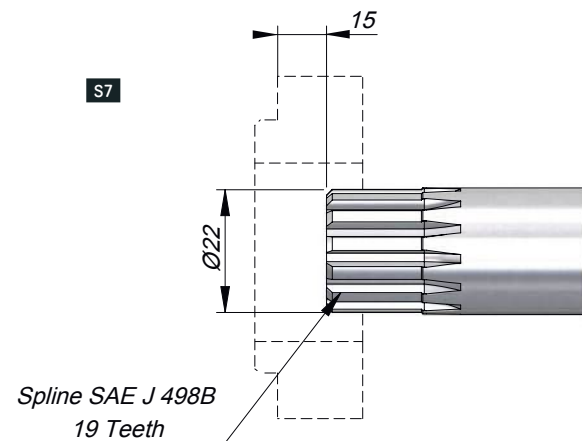


SPECIFICATIONS

Product Code	Displacement (cm ³ / rev)	Max. Cont. Pressure [%100] (bar)	Max. Peak. Pressure [6 sec.max.](bar)	Max. Cont. Speed (rpm)	Inlet	Outlet
22149006	6	280	330	2300	G1/2"	G1/2"
22149010	10					
22149016	16					
22149020	20					
22149025	25	220	270	2100	G3/4"	G3/4"
22149032	32	190	220			
22149040	40	180	200	1900		

20 SERIES UNI BD GEAR PUMP

AVAILABLE SHAFT TYPES



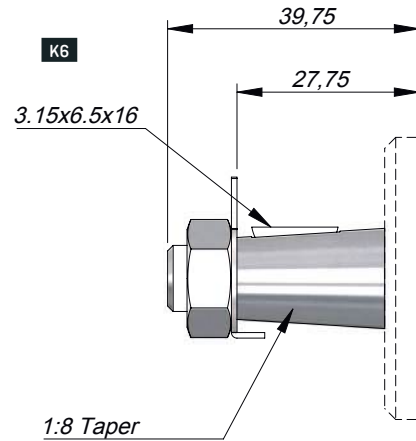
SPECIFICATIONS

Product Code	Displacement (cm ³ / rev)	Max. Cont. Pressure [%100] (bar)	Max. Peak. Pressure [6 sec.max.](bar)	Max. Cont. Speed (rpm)	Inlet	Outlet
22139006	6	280	330	2300	G1/2"	G1/2"
22139010	10					
22149016	16					
22139020	20					
22139025	25	220	270	2100	G3/4"	G3/4"
22139032	32	190	220			
22139040	40	180	200	1900		

20 SERIES K TYPE BD GEAR PUMP



AVAILABLE SHAFT TYPES



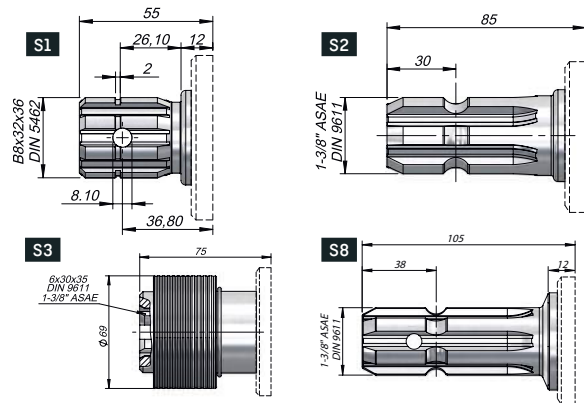
SPECIFICATIONS

Product Code	Displacement (cm ³ / rev)	Max. Cont. Pressure (%100) (bar)	Max. Peak. Pressure (6 sec.max.)(bar)	Max. Cont. Speed (rpm)	Inlet	Outlet
Bi-Directional						
22159006	6	280	330	2300	G1/2"	G1/2"
22159010	10					
22159016	16					
22159020	20					
22159025	25	220	270	2100	G3/4"	G3/4"
22159032	32	190	220			
22159040	40	180	200			

30 SERIES ISO GEAR PUMP



AVAILABLE SHAFT TYPES



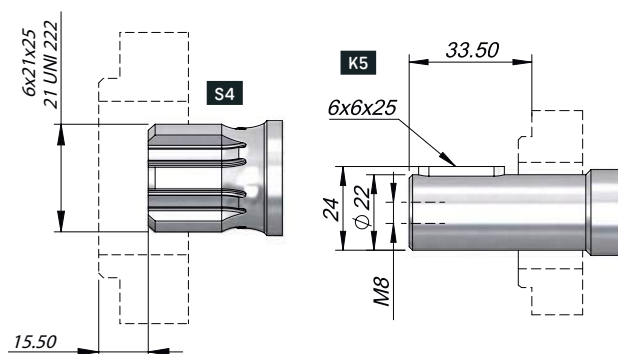
SPECIFICATIONS

Product Code			Displacement (cm ³ / rev)	Max. Cont. Pressure (%100) (bar)	Max. Peak. Pressure (6 sec.max.)(bar)	Max. Cont. Speed (rpm)	Inlet	Outlet
CCW Left	CW Right	Bi-Directional						
22247017	22248017	22249017	17	300	320	2600	G1/2"	G1/2"
22247027	22248027	22249027	27	290	310			
22247034	22248034	22249034	34	285	305	2300	G3/4"	G3/4"
22247043	22248043	22249043	43	280	300			
22247051	22248051	22249051	51	230	280	2100	G1"	G3/4"
22247061	22248061	22249061	61	225	260			
22247082	22248082	22249082	82	200	220	1700	G1 1/4"	G1" or G3/4"
22247100	22248100	22249100	100	190	220			
22247125	22248125	22249125	125	170	200	1600		

30 SERIES UNI GEAR PUMP



AVAILABLE SHAFT TYPES



SPECIFICATIONS

Product Code			Displacement (cm ³ / rev)	Max. Cont. Pressure [%100] (bar)	Max. Peak. Pressure [6 sec.max.](bar)	Max. Cont. Speed (rpm)	Inlet	Outlet
CCW Left	CW Right	Bi-Directional						
22237017	22238017	22239017	17	300	320	2600	G1/2"	G1/2"
22237027	22238027	22239027	27	290	310		G3/4"	
22237034	22238034	22239034	34	285	305	2300		G1"
22237043	22238043	22239043	43	280	300	2100		
22237051	22238051	22239051	51	230	280	2000	G1 1/4"	G1" or G3/4"
22237061	22238061	22239061	61	225	260	1700		
22237082	22238082	22239082	82	200	220	1600	G1 1/4"	G1" or G3/4"
22237100	22238100	22239100	100	190				
22237125	22238125	22239125	125	170	200			

30 SERIES NH GEAR PUMP



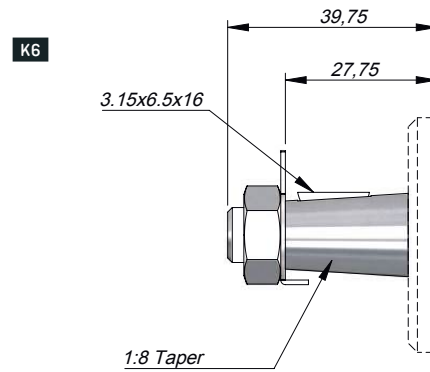
SPECIFICATIONS

Product Code			Displacement (cm ³ / rev)	Max. Cont. Pressure [%100] (bar)	Max. Peak. Pressure [6 sec.max.](bar)	Max. Cont. Speed (rpm)	Inlet	Outlet
CCW Left	CW Right	Bi-Directional						
22277017	22278017	22279017	17	300	320	2600	G1/2"	G1/2"
22277027	22278027	22279027	27	290	310		G3/4"	
22277034	22278034	22279034	34	285	305	2300		G1"
22277043	22278043	22279043	43	280	300	2100		
22277051	22278051	22279051	51	230	280	2000	G1 1/4"	G1" or G3/4"
22277061	22278061	22279061	61	225	260	1700		
22277082	22278082	22279082	82	200	220	1600	G1 1/4"	G1" or G3/4"
22277100	22278100	22279100	100	190				
22277125	22278125	22279125	125	170	200			

30 SERIES K TYPE GEAR PUMP



AVAILABLE SHAFT TYPES



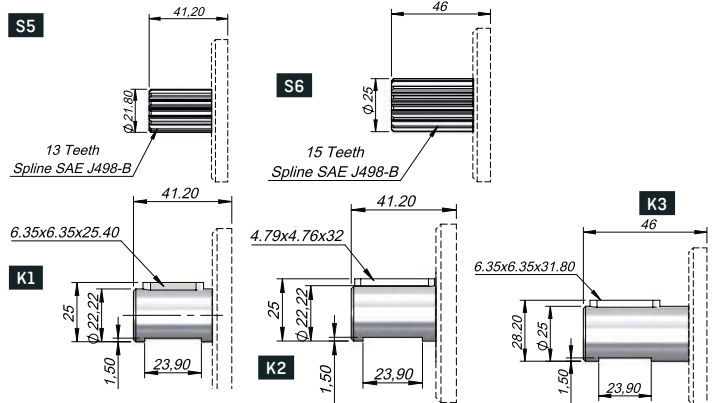
SPECIFICATIONS

Product Code			Displacement (cm ³ / rev)	Max. Cont. Pressure [%100] (bar)	Max. Peak. Pressure [6 sec.max.](bar)	Max. Cont. Speed (rpm)	Inlet	Outlet
CCW Left	CW Right	Bi-Directional						
22257017	22258017	22259017	17	300	320	2600	G1/2"	G1/2"
22257027	22258027	22259027	27	290	310			
22257034	22258034	22259034	34	285	305	2300	G3/4"	G3/4"
22257043	22258043	22259043	43	280	300			
22257051	22258051	22259051	51	230	280	2100	G1"	G3/4"
22257061	22258061	22259061	61	225	260			
22257082	22258082	22259082	82	200	220	1700	G1 1/4"	G1" or G3/4"
22257100	22258100	22259100	100	190				
22257125	22258125	22259125	125	170	200	1600		

30 SERIES SAE B (4+2) GEAR PUMP



AVAILABLE SHAFT TYPES



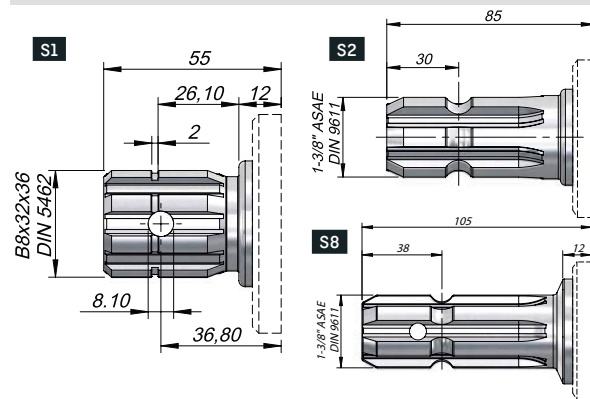
SPECIFICATIONS

Product Code			Displacement (cm ³ / rev)	Max. Cont. Pressure [%100] (bar)	Max. Peak. Pressure [6 sec.max.](bar)	Max. Cont. Speed (rpm)	Inlet	Outlet
CCW Left	CW Right	Bi-Directional						
22267017	22268017	22269017	17	300	320	2600	G1/2"	G1/2"
22267027	22268027	22269027	27	290	310			
22267034	22268034	22269034	34	285	305	2300	G3/4"	G3/4"
22267043	22268043	22269043	43	280	300			
22267051	22268051	22269051	51	230	280	2100	G1"	G3/4"
22267061	22268061	22269061	61	225	260			
22267082	22268082	22269082	82	200	220	1700	G1 1/4"	G1" or G3/4"
22267100	22268100	22269100	100	190				
22267125	22268125	22269125	125	170	200	1600		

35 SERIES ISO BD GEAR PUMP



AVAILABLE SHAFT TYPES



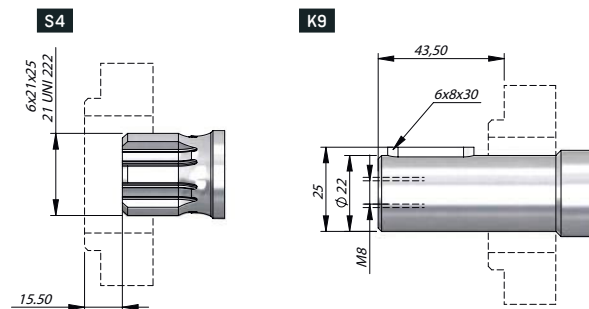
SPECIFICATIONS

Product Code	Displacement [cm ³ / rev]	Max. Cont. Pressure [%100] [bar]	Max. Peak. Pressure [6 sec.max.][bar]	Max. Cont. Speed [rpm]	Inlet	Outlet
Bi-Directional						
22349060	60	250	290	1800	G1 1/4"	G1"
22349082	82	240	280			
22349090	90	230	270			
22349100	100	220	260			
22349110	110	205	250			
22349125	125	195	230			

35 SERIES UNI BD GEAR PUMP



AVAILABLE SHAFT TYPES



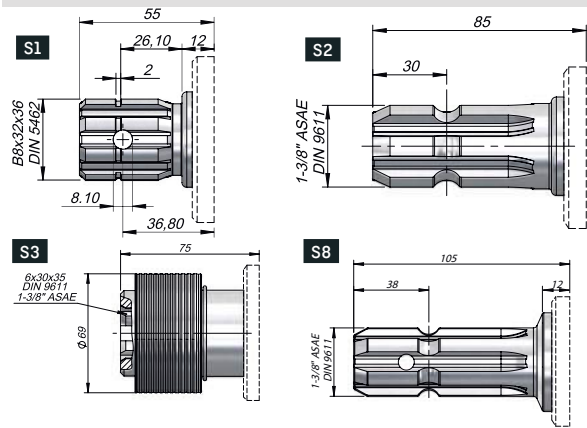
SPECIFICATIONS

Product Code	Displacement [cm ³ / rev]	Max. Cont. Pressure [%100] [bar]	Max. Peak. Pressure [6 sec.max.][bar]	Max. Cont. Speed [rpm]	Inlet	Outlet
Bi-Directional						
22339060	60	250	290	1800	G1 1/4"	G1"
22339082	82	240	280			
22339090	90	230	270			
22339100	100	220	260			
22339110	110	205	250			
22339125	125	195	230			

40 SERIES ISO GEAR PUMP



AVAILABLE SHAFT TYPES



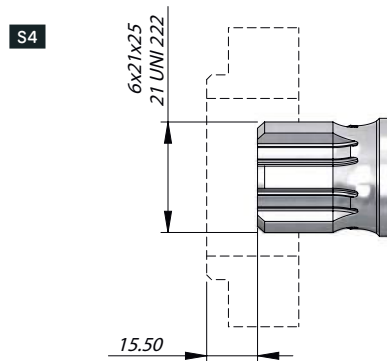
SPECIFICATIONS

Product Code			Displacement [cm ³ / rev]	Max. Cont. Pressure [%100] (bar)	Max. Peak. Pressure [6 sec.max.](bar)	Max. Cont. Speed (rpm)	Inlet	Outlet
CCW Left	CW Right	Bi-Directional						
22447063	22448063	22449063	63	280	330	1800	G1"	G3/4"
22447073	22448073	22449073	73	275	320		G1 1/4"	
22447087	22448087	22449087	87	265	300		G1 1/4"	
22447109	22448109	22449109	109	240	285	1500	G1 1/2"	G1"
22447133	22448133	22449133	133	230	270			
22447151	22448151	22449151	151	180	230			

40 SERIES UNI GEAR PUMP



AVAILABLE SHAFT TYPES



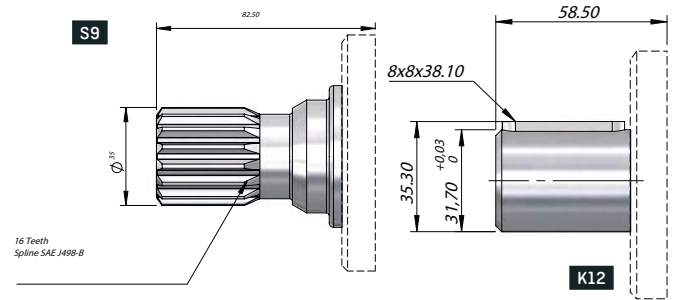
SPECIFICATIONS

Product Code			Displacement [cm ³ / rev]	Max. Cont. Pressure [%100] (bar)	Max. Peak. Pressure [6 sec.max.](bar)	Max. Cont. Speed (rpm)	Inlet	Outlet
CCW Left	CW Right	Bi-Directional						
22437063	22438063	22439063	63	280	330	1800	G1"	G3/4"
22437073	22438073	22439073	73	275	320		G1 1/4"	
22437087	22438087	22439087	87	265	300		G1 1/4"	
22437109	22438109	22439109	109	240	285	1500	G1 1/2"	G1"
22437133	22438133	22439133	133	230	270			
22437151	22438151	22439151	151	180	230			

40 SERIES SAE C (4 HOLES) GEAR PUMP



AVAILABLE SHAFT TYPES



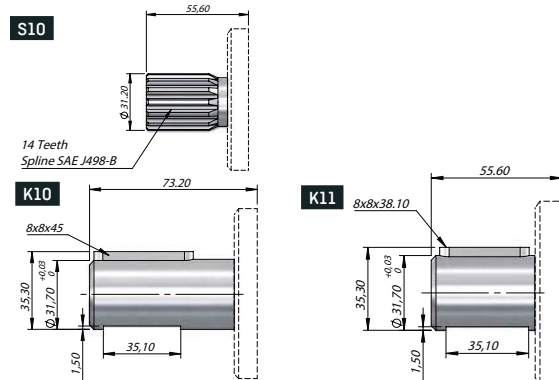
SPECIFICATIONS

Product Code			Displacement (cm ³ / rev)	Max. Cont. Pressure (%100) (bar)	Max. Peak. Pressure (6 sec.max.)(bar)	Max. Cont. Speed (rpm)	Inlet	Outlet
CCW Left	CW Right	Bi-Directional						
22477063	22478063	22479063	63	280	330	1800	G1"	G3/4"
22477073	22478073	22479073	73	275	320		G1 1/4"	
22477087	22478087	22479087	87	265	300		G1"	
22477109	22478109	22479109	109	240	285	1500	G1 1/2"	G1"
22477133	22478133	22479133	133	230	270			
22477151	22478151	22479151	151	180	230			

40 SERIES SAE C (2+4 HOLES) GEAR PUMP



AVAILABLE SHAFT TYPES



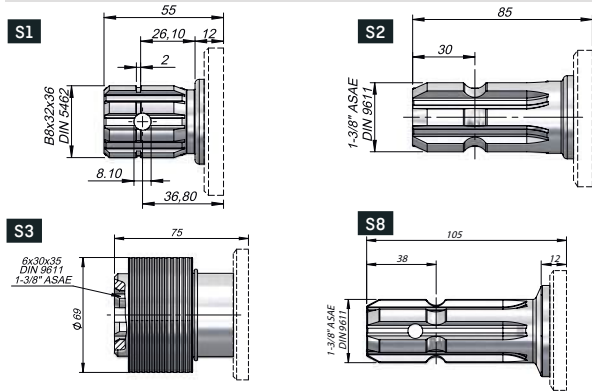
SPECIFICATIONS

Product Code			Displacement (cm ³ / rev)	Max. Cont. Pressure (%100) (bar)	Max. Peak. Pressure (6 sec.max.)(bar)	Max. Cont. Speed (rpm)	Inlet	Outlet
CCW Left	CW Right	Bi-Directional						
22487063	22488063	22489063	63	280	330	1800	G1"	G3/4"
22487073	22488073	22489073	73	275	320		G1 1/4"	
22487087	22488087	22489087	87	265	300		G1"	
22487109	22488109	22489109	109	240	285	1500	G1 1/2"	G1"
22487133	22488133	22489133	133	230	270			
22487151	22488151	22489151	151	180	230			

30 SERIES TANDEM ISO GEAR PUMP



AVAILABLE SHAFT TYPES



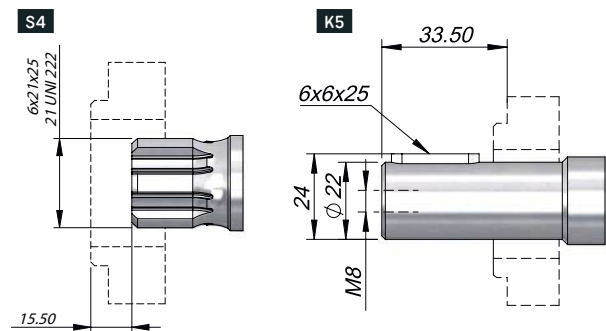
SPECIFICATIONS

Product Code			Displacement [cm ³ / rev]	Max. Cont. Pressure [%100] (bar)	Max. Peak. Pressure [6 sec.max.](bar)	Max. Cont. Speed (rpm)	Inlet	Outlet
CCW Left	CW Right	Bi-Directional						
22747017	22748017	22749017	17	300	320	2600	G1/2"	G1/2"
22747027	22748027	22749027	27	290	310		G3/4"	
22747034	22748034	22749034	34	285	305			
22747043	22748043	22749043	43	280	300	2100	G1"	G3/4"
22747051	22748051	22749051	51	230	280			
22747061	22748061	22749061	61	225	260	2000	G1 1/4"	G1" or G3/4"
22747082	22748082	22749082	82	200	220	1700		
22747100	22748100	22749100	100	190		1600		
22747125	22748125	22749125	125	170	200			

30 SERIES TANDEM UNI GEAR PUMP



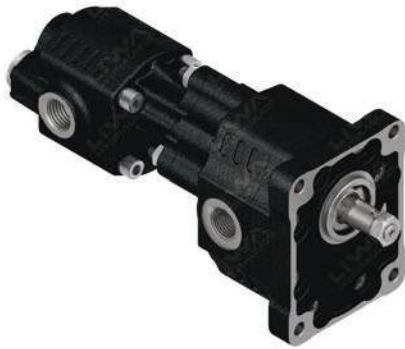
AVAILABLE SHAFT TYPES



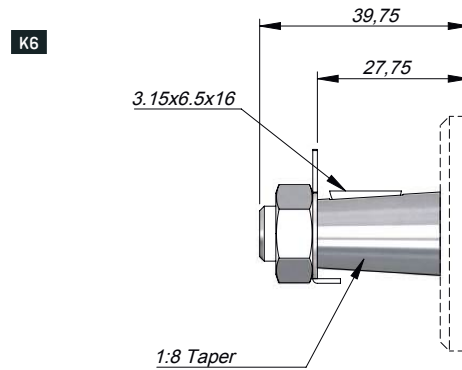
SPECIFICATIONS

Product Code			Displacement [cm ³ / rev]	Max. Cont. Pressure [%100] (bar)	Max. Peak. Pressure [6 sec.max.](bar)	Max. Cont. Speed (rpm)	Inlet	Outlet
CCW Left	CW Right	Bi-Directional						
22737017	22738017	22739017	17	300	320	2600	G1/2"	G1/2"
22737027	22738027	22739027	27	290	310		G3/4"	
22737034	22738034	22739034	34	285	305			
22737043	22738043	22739043	43	280	300	2100	G1"	G3/4"
22737051	22738051	22739051	51	230	280			
22737061	22738061	22739061	61	225	260	2000	G1 1/4"	G1" or G3/4"
22737082	22738082	22739082	82	200	220	1700		
22737100	22738100	22739100	100	190		1600		
22737125	22738125	22739125	125	170	200			

30 SERIES TANDEM K TYPE GEAR PUMP



AVAILABLE SHAFT TYPES



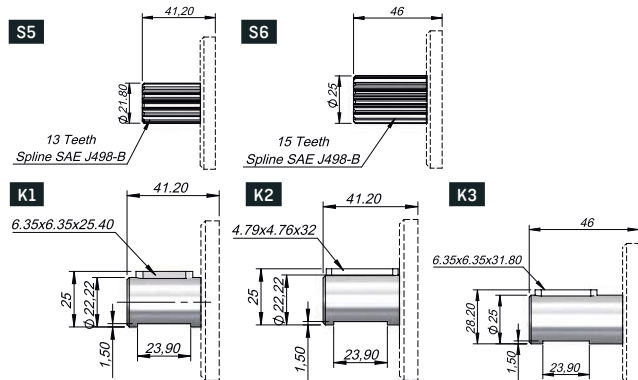
SPECIFICATIONS

Product Code			Displacement [cm ³ / rev]	Max. Cont. Pressure [%100] (bar)	Max. Peak. Pressure [6 sec.max.](bar)	Max. Cont. Speed [rpm]	Inlet	Outlet
CCW Left	CW Right	Bi-Directional						
22757017	22758017	22759017	17	300	320	2600	G1/2"	G1/2"
22757027	22758027	22759027	27	290	310		G3/4"	
22757034	22758034	22759034	34	285	305	2100	G1"	G3/4"
22757043	22758043	22759043	43	280	300			
22757051	22758051	22759051	51	230	280	2000	G1 1/4"	G1* or G3/4*
22757061	22758061	22759061	61	225	260			
22757082	22758082	22759082	82	200	220	1700	G1 1/4"	G1* or G3/4*
22757100	22758100	22759100	100	190	200			
22757125	22758125	22759125	125	170	200	1600		

30 SERIES TANDEM SAE B GEAR PUMP



AVAILABLE SHAFT TYPES



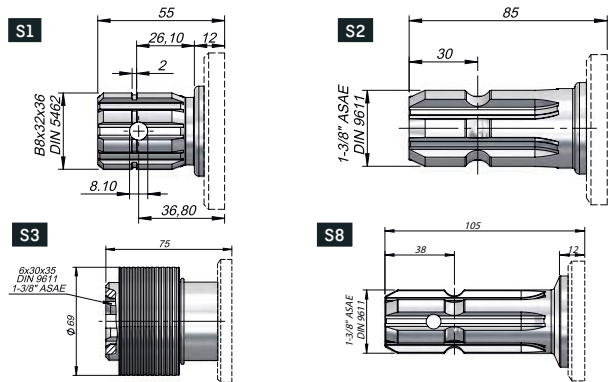
SPECIFICATIONS

Product Code			Displacement [cm ³ / rev]	Max. Cont. Pressure [%100] (bar)	Max. Peak. Pressure [6 sec.max.](bar)	Max. Cont. Speed [rpm]	Inlet	Outlet
CCW Left	CW Right	Bi-Directional						
22767017	22768017	22769017	17	300	320	2600	G1/2"	G1/2"
22767027	22768027	22769027	27	290	310		G3/4"	
22767034	22768034	22769034	34	285	305	2100	G1"	G3/4"
22767043	22768043	22769043	43	280	300			
22767051	22768051	22769051	51	230	280	2000	G1 1/4"	G1* or G3/4*
22767061	22768061	22769061	61	225	260			
22767082	22768082	22769082	82	200	220	1700	G1 1/4"	G1* or G3/4*
22767100	22768100	22769100	100	190	200			
22767125	22768125	22769125	125	170	200	1600		

40 SERIES TANDEM ISO GEAR PUMP



AVAILABLE SHAFT TYPES



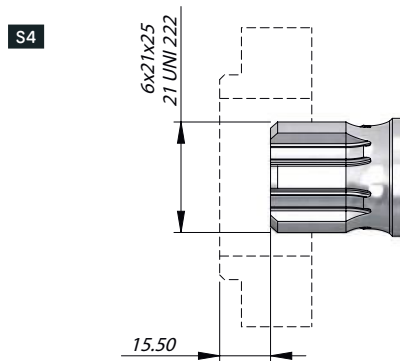
SPECIFICATIONS

Product Code			Displacement [cm ³ / rev]	Max. Cont. Pressure [%100] (bar)	Max. Peak. Pressure [6 sec.max.](bar)	Max. Cont. Speed (rpm)	Inlet	Outlet
CCW Left	CW Right	Bi-Directional						
22547063	22548063	22549063	63	280	330	1800	G1"	G3/4"
22547073	22548073	22549073	73	275	320		G1 1/4"	
22547087	22548087	22549087	87	265	300		G1 1/4"	
22547109	22548109	22549109	109	240	285	1500	G1 1/2"	G1"
22547133	22548133	22549133	133	230	270			
22547151	22548151	22549151	151	180	230			

40 SERIES TANDEM UNI GEAR PUMP



AVAILABLE SHAFT TYPES



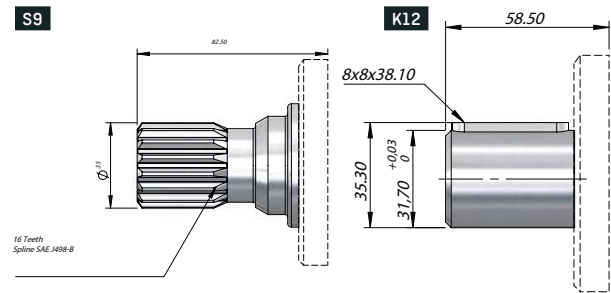
SPECIFICATIONS

Product Code			Displacement [cm ³ / rev]	Max. Cont. Pressure [%100] (bar)	Max. Peak. Pressure [6 sec.max.](bar)	Max. Cont. Speed (rpm)	Inlet	Outlet
CCW Left	CW Right	Bi-Directional						
22537063	22538063	22539063	63	280	330	1800	G1"	G3/4"
22537073	22538073	22539073	73	275	320		G1 1/4"	
22537087	22538087	22539087	87	265	300		G1 1/4"	
22537109	22538109	22539109	109	240	285	1500	G1 1/2"	G1"
22537133	22538133	22539133	133	230	270			
22537151	22538151	22539151	151	180	230			

40 SERIES TANDEM SAE C (4 HOLES) GEAR PUMP



AVAILABLE SHAFT TYPES



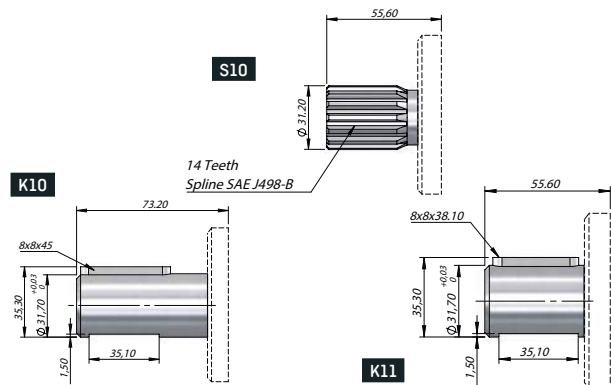
SPECIFICATIONS

Product Code			Displacement [cm ³ / rev]	Max. Cont. Pressure [%100] (bar)	Max. Peak. Pressure [6 sec.max.](bar)	Max. Cont. Speed (rpm)	Inlet	Outlet
CCW Left	CW Right	Bi-Directional						
22577063	22578063	22579063	63	280	330	1800	G1"	G3/4"
22577073	22578073	22579073	73	275	320		G1 1/4"	
22577087	22578087	22579087	87	265	300		G1 1/2"	G1"
22577109	22578109	22579109	109	240	285			
22577133	22578133	22579133	133	230	270			
22577151	22578151	22579151	151	180	230	1500		

40 SERIES TANDEM SAE C (2+4 HOLES) GEAR PUMP



AVAILABLE SHAFT TYPES



SPECIFICATIONS

Product Code			Displacement [cm ³ / rev]	Max. Cont. Pressure [%100] (bar)	Max. Peak. Pressure [6 sec.max.](bar)	Max. Cont. Speed (rpm)	Inlet	Outlet
CCW Left	CW Right	Bi-Directional						
22587063	22588063	22589063	63	280	330	1800	G1"	G3/4"
22587073	22588073	22589073	73	275	320		G1 1/4"	
22587087	22588087	22589087	87	265	300		G1 1/2"	G1"
22587109	22588109	22589109	109	240	285			
22587133	22588133	22589133	133	230	270			
22587151	22588151	22589151	151	180	230	1500		

Piston Pumps



Piston pumps are designed for applications that require high pressure and efficiency. They operate by using reciprocating pistons to move fluid through the system, allowing precise control of flow and pressure. With their robust construction and long service life, Liwa Hydraulics piston pumps are a dependable choice for demanding and continuous operations across many hydraulic applications.



piston pumps

ALPHA SERIES STRAIGHT AXIAL UNI PISTON PUMP



SPECIFICATIONS

Product Code	Displacement (cm ³ / rev)	Max. Cont. Pressure (%100) (bar)	Max. Peak. Pressure (6 sec.max.)(bar)	Max. Cont. Speed (rpm)	Inlet	Outlet
Bi-Directional						
33639020	20	270	350	1000	1 1/2"	3/4"
33639026	26					
33639034	34					
33639042	42					
33639046	46					
33639052	52					
33639055	55					
33639060	60					

ALPHA SERIES STRAIGHT AXIAL ISO PISTON PUMP



SPECIFICATIONS

Product Code	Displacement (cm ³ / rev)	Max. Cont. Pressure (%100) (bar)	Max. Peak. Pressure (6 sec.max.)(bar)	Max. Cont. Speed (rpm)	Inlet	Outlet
Bi-Directional						
33649020	20	270	350	1000	1 1/2"	3/4"
33649026	26					
33649034	34					
33649042	42					
33649046	46					
33649052	52					
33649055	55					
33649060	60					

ALPHA SERIES STRAIGHT AXIAL UNI HIGH PRESSURE PISTON PUMP



SPECIFICATIONS						
Product Code	Displacement (cm ³ / rev)	Max. Cont. Pressure (%100) (bar)	Max. Peak. Pressure (6 sec.max.)(bar)	Max. Cont. Speed (rpm)	Inlet	Outlet
Bi-Directional						
33239020	20	350	600	1000	1 1/2"	3/4"
33239026	26					
33239034	34					
33239042	42					
33239046	46					
33239052	52					
33239055	55					
33239060	60					

ALPHA SERIES STRAIGHT AXIAL ISO HIGH PRESSURE PISTON PUMP



SPECIFICATIONS						
Product Code	Displacement (cm ³ / rev)	Max. Cont. Pressure (%100) (bar)	Max. Peak. Pressure (6 sec.max.)(bar)	Max. Cont. Speed (rpm)	Inlet	Outlet
Bi-Directional						
33249020	20	350	600	1000	1 1/2"	3/4"
33249026	26					
33249034	34					
33249042	42					
33249046	46					
33249052	52					
33249055	55					
33249060	60					

STRAIGHT AXIAL PISTON PUMPS

BETA SERIES STRAIGHT AXIAL UNI PISTON PUMP



SPECIFICATIONS

Product Code	Displacement (cm ³ / rev)	Max. Cont. Pressure (%100) (bar)	Max. Peak. Pressure (6 sec.max.)(bar)	Max. Cont. Speed (rpm)	Inlet	Outlet
Bi-Directional						
33839020	20	350	400	1800	G1 1/4"	G1"
33839026	26					
33839034	34					
33839042	42					
33839046	46					
33839052	52	300	350	1500		
33839055	55					
33839060	60					

BETA SERIES STRAIGHT AXIAL ISO PISTON PUMP



SPECIFICATIONS

Product Code	Displacement (cm ³ / rev)	Max. Cont. Pressure (%100) (bar)	Max. Peak. Pressure (6 sec.max.)(bar)	Max. Cont. Speed (rpm)	Inlet	Outlet
Bi-Directional						
33849020	20	350	400	1800	G1 1/4"	G1"
33849026	26					
33849034	34					
33849042	42					
33849046	46					
33849052	52	300	350	1500		
33849055	55					
33849060	60					

STRAIGHT AXIAL PISTON PUMPS

GAMMA SERIES STRAIGHT AXIAL ISO PISTON PUMP



SPECIFICATIONS						
Product Code	Displacement (cm ³ / rev)	Max. Cont. Pressure (%100) (bar)	Max. Peak. Pressure (6 sec.max.)(bar)	Max. Cont. Speed (rpm)	Inlet	Outlet
33949060	60	270	400	1000	1 1/2"	1"
33949070	70					
33949080	80					
33949090	90					
33949100	100					

STRAIGHT AXIAL PISTON PUMPS

DELTA SERIES STRAIGHT AXIAL ISO PISTON PUMP



SPECIFICATIONS

Product Code	Displacement (cm ³ / rev)	Max. Cont. Pressure (%100) [bar]	Max. Peak. Pressure (6 sec.max.)(bar)	Max. Cont. Speed (rpm)	Inlet	Outlet
Bi-Directional						
33149060	60	300	350	1500	G1 1/2"	G1"
33149070	70					
33149080	80					
33149090	90					
33149100	100					

ZETA SERIES STRAIGHT AXIAL ISO PISTON PUMP



SPECIFICATIONS

Product Code	Displacement (cm ³ / rev)	Max. Cont. Pressure (%100) [bar]	Max. Peak. Pressure (6 sec.max.)(bar)	Max. Cont. Speed (rpm)	Inlet	Outlet
Bi-Directional						
33349016	16	300	500	1500	R1" 1/2	R3/4"
33349020	20					
33349032	32					
33349041	41					
33349049	49					
33349055	55					

EPSILON SERIES STRAIGHT AXIAL UNI PISTON PUMP

SPECIFICATIONS						
Product Code	Displacement (cm ³ / rev)	Max. Cont. Pressure (%100) (bar)	Max. Peak. Pressure (6 sec.max.)(bar)	Max. Cont. Speed (rpm)	Inlet	Outlet
Bi-Directional						
33539020	20	270		1000	1 1/2"	3/4"
33539026	26					
33539034	34					
33539042	42					
33539046	46					
33539052	52					
33539055	55					
33539060	60					

EPSILON SERIES STRAIGHT AXIAL ISO PISTON PUMP



SPECIFICATIONS						
Product Code	Displacement (cm ³ / rev)	Max. Cont. Pressure (%100) (bar)	Max. Peak. Pressure (6 sec.max.)(bar)	Max. Cont. Speed (rpm)	Inlet	Outlet
Bi-Directional						
33549020	20	270	350	1000	1 1/2"	3/4"
33549026	26					
33549034	34					
33549042	42					
33549046	46					
33549052	52					
33549055	55					
33549060	60					

L1 SERIES BENT AXIS ISO PISTON PUMP



SPECIFICATIONS

Product Code		Displacement (cm ³ / rev)	Max. Cont. Pressure (%100) (bar)	Max. Peak. Pressure (6 sec.max.)(bar)	Max. Cont. Speed (rpm)	Inlet	Outlet
CCW Left	CW Right						
44947041	44948041	41	300	400	1200	Ø44	R 3/4"
44947051	44948051	51					
44947061	44948061	61					
44947081	44948081	81					
44947101	44948101	101					R 1"

L2 SERIES BENT AXIS ISO PISTON PUMP

COMES WITH



SPECIFICATIONS

Product Code		Displacement (cm ³ / rev)	Max. Cont. Pressure (%100) (bar)	Max. Peak. Pressure (6 sec.max.)(bar)	Max. Cont. Speed (rpm)	Inlet	Outlet
CCW Left	CW Right						
44747012	44748012	12	300	330	2300	G 1"	G 3/4"
44747017	44748017	17					
44747035	44748035	35					
44747045	44748045	45					
44747056	44748056	56			1900	G 1 1/4"	
44747065	44748065	65					
44747085	44748085	85			1500	G 1 1/2"	G 1"
44747105	44748105	105					
44747130	44748130	130					

L3 SERIES BENT AXIS ISO PISTON PUMP



COMES WITH



SPECIFICATIONS

Product Code	Displacement (cm ³ / rev)	Max. Cont. Pressure (%100) (bar)	Max. Peak. Pressure (6 sec.max.)(bar)	Max. Cont. Speed (rpm)	Inlet	Outlet
Bi-Directional						
44849005	5	350	400	2500	3/4"	3/4"
44849012	12			2300		
44849018	18					
44849025	25					
44849032	32					
44849040	40					
44849050	50				1900	1"
44849056	56					
44849063	63					
44849080	80					
44849090	90					
44849108	108			1600		
44849130	130					

L4 SERIES TWIN FLOW ISO PISTON PUMP



COMES WITH



SPECIFICATIONS

Product Code		Displacement (cm ³ / rev)	Max. Cont. Pressure (%100) (bar)	Max. Peak. Pressure (6 sec.max.)(bar)	Max. Cont. Speed (rpm)	Inlet	Outlet
CCW Left	CW Right						
446474645	446484645	46-45	380	420	1800	G 3/4"	G 3/4"
446475552	446485552	55-52					
446476869	446486869	68-69				G 1"	G 1"
446477675	446487675	76-75					

ISO VARIABLE DISPLACEMENT PISTON PUMP



SPECIFICATIONS

Product Code		Max. Displacement [cm ³ / rev]	Max. Cont. Pressure [%100] (bar)	Max. Peak. Pressure [6 sec.max.](bar)	Max. Cont. Speed [rpm]	Inlet	Outlet
CCW Left	CW Right						
33747040	33748040	40	400	420	3000	G1 1/2"	G 3/4"
33747060	33748060	60	400	420	2600		
33747075	33748075	75	400	420	2000		
33747092	33748092	92	400	420	1900		G1"
33747120	33748120	120	380	400	2100		
33747130	33748130	130	365	380	2100		
33747150	33748150	150	310	330	2000		

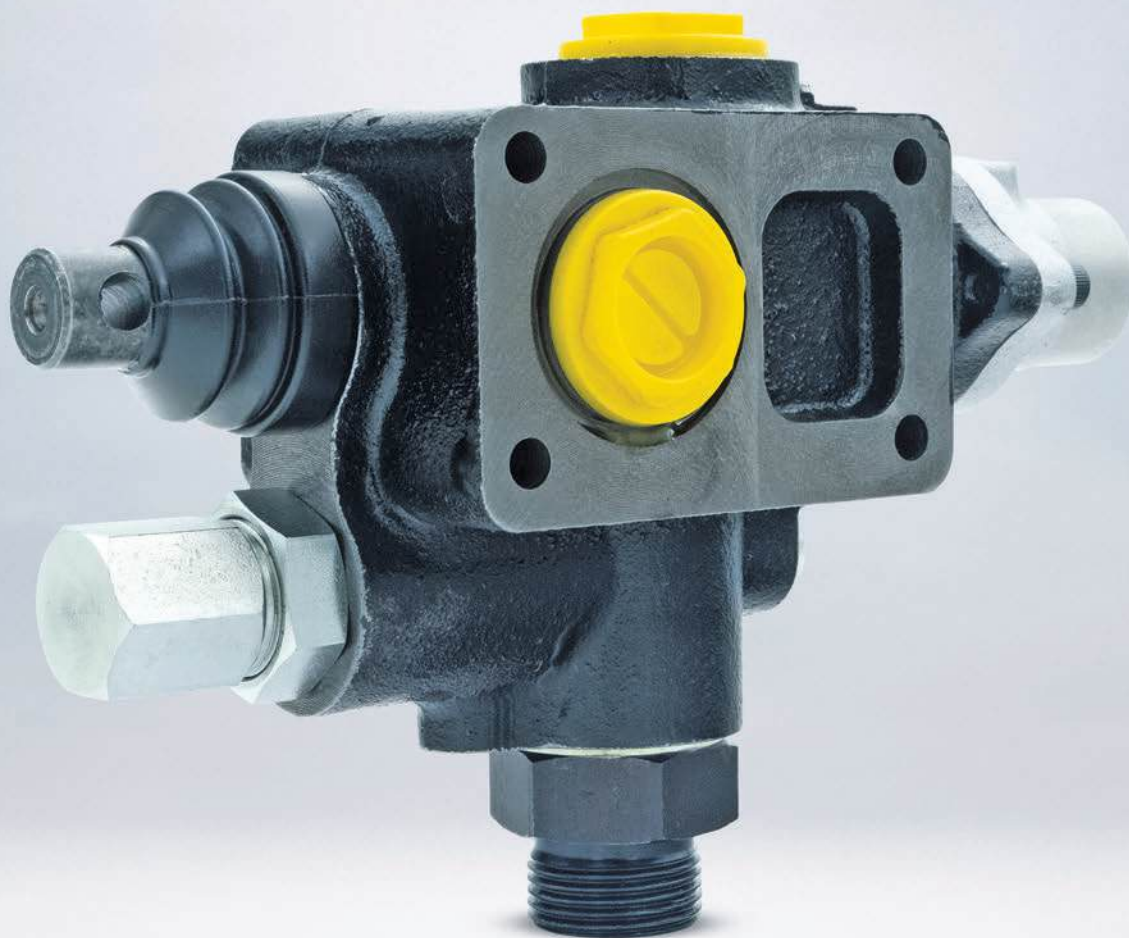
ALSO AVAILABLE: BYPASS VALVE



Valves

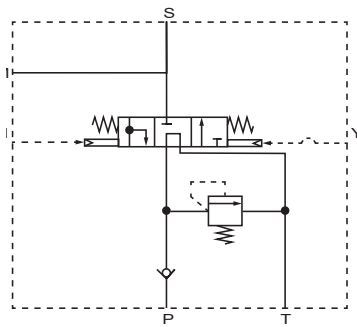


Hydraulic valves control the flow and direction of fluid within a system, ensuring that each component operates safely and efficiently. They play a key role in regulating pressure, directing flow paths, and protecting equipment from overload. Built for durability and precise performance, Liwa Hydraulics valves provide reliable control in many applications.



valves

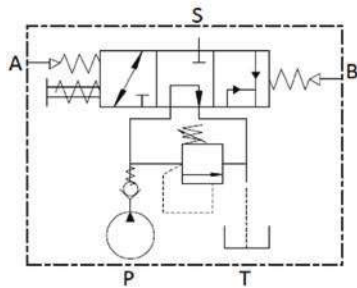
TIPPING VALVE (OPEN LOOP) 4B 140 LPM



SPECIFICATIONS

Product Code	66140410
Flow Rate	140 lpm
Max. Working Pressure	190 bar
Max. Pressure	230 bar
Weight	4.6 kg

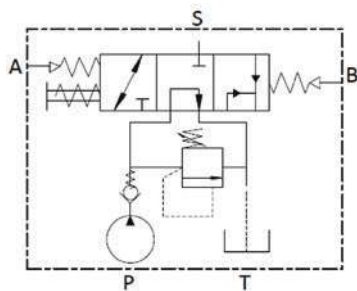
TIPPING VALVE (OPEN LOOP) 4B 140 LPM



SPECIFICATIONS

Product Code	66140420
Flow Rate	140 lpm
Max. Working Pressure	190 bar
Max. Pressure	230 bar
Weight	5.4 kg

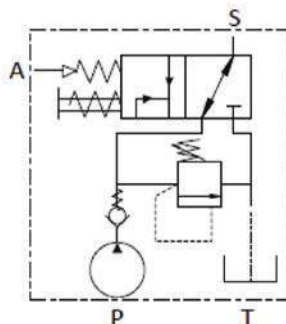
TIPPING VALVE (OPEN LOOP) 3B 140 LPM



SPECIFICATIONS

Product Code	66140430
Flow Rate	140 lpm
Max. Working Pressure	190 bar
Max. Pressure	230 bar
Weight	4 kg

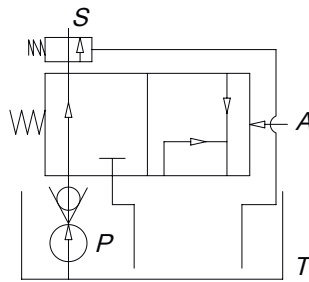
SINGLE CONTROL TIPPING VALVE 140 LPM TYPE 1



SPECIFICATIONS

Product Code	66140440
Flow Rate	140 lpm
Max. Working Pressure	190 bar
Max. Pressure	230 bar
Weight	3.6 kg

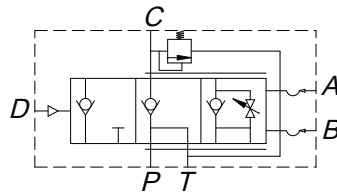
SINGLE CONTROL TIPPING VALVE 140 LPM TYPE 2



SPECIFICATIONS

Product Code	66140440K
Flow Rate	140 lpm
Max. Working Pressure	350 bar
Max. Pressure	230 bar
Weight	3.6 kg

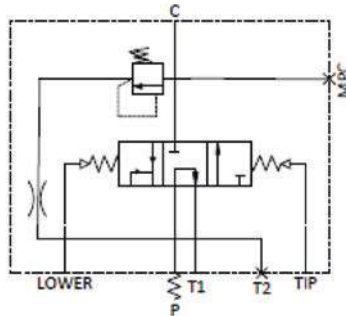
TIPPING VALVE (CLOSED LOOP) 3B 180 LPM



SPECIFICATIONS

Product Code	66180510
Flow Rate	180 lpm
Max. Working Pressure	350 bar
Max. Pressure	230 bar
Weight	7.2 kg

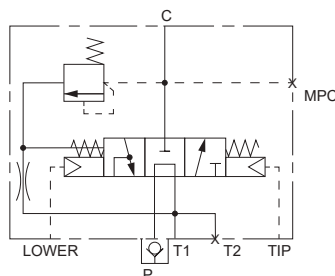
TIPPING VALVE (CLOSED LOOP) 3B 220 LPM



SPECIFICATIONS

Product Code	66180520
Flow Rate	220 lpm
Max. Working Pressure	190 bar
Max. Pressure	230 bar
Weight	6.4 kg

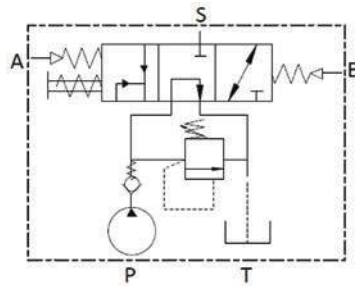
TIPPING VALVE - 150 LPM



SPECIFICATIONS

Product Code	66150520
Flow Rate	150 lpm
Max. Working Pressure	190 bar
Max. Pressure	230 bar
Weight	4 kg

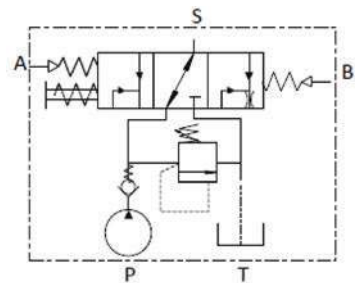
TIPPING VALVE (OPEN LOOP) 4B 150 LPM



SPECIFICATIONS

Product Code	66140480
Flow Rate	150 lpm
Max. Working Pressure	190 bar
Max. Pressure	230 bar
Weight	5.4 kg

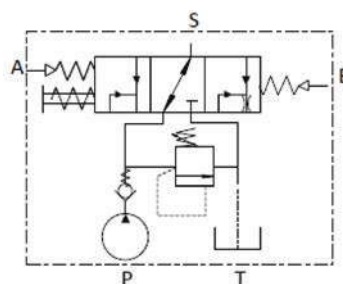
TIPPING VALVE 2B 110 LPM



SPECIFICATIONS

Product Code	66140450
Flow Rate	110 lpm
Max. Working Pressure	190 bar
Max. Pressure	230 bar
Weight	6.6 kg

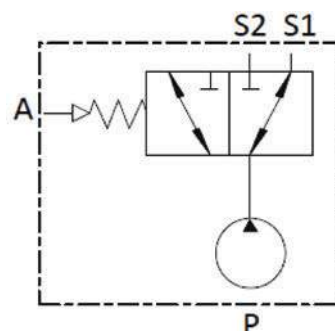
TIPPING VALVE TANK TYPE 2B 110 LPM



SPECIFICATIONS

Product Code	66140460
Flow Rate	110 lpm
Max. Working Pressure	190 bar
Max. Pressure	230 bar
Weight	7.2 kg

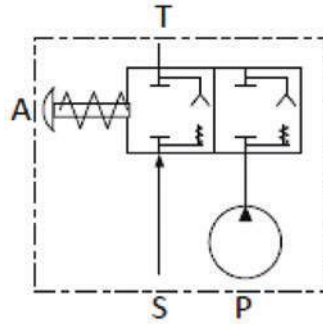
TRAILER DIVERTER VALVE 140 LPM



SPECIFICATIONS

Product Code	66140470
Flow Rate	140 lpm
Max. Working Pressure	190 bar
Max. Pressure	230 bar
Weight	5 kg

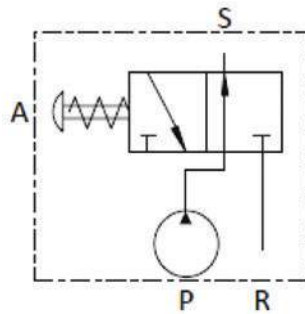
LIMIT CONTROL VALVE (OPEN LOOP) 180 LPM



SPECIFICATIONS

Product Code	66250290
Flow Rate	180 lpm
Max. Working Pressure	190 bar
Max. Pressure	230 bar
Weight	3 kg

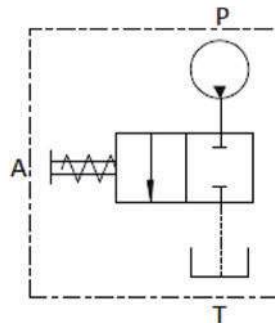
LIMIT CONTROL VALVE (CLOSED LOOP) 140 LPM



SPECIFICATIONS

Product Code	66250295
Flow Rate	140 lpm
Max. Working Pressure	190 bar
Max. Pressure	230 bar
Weight	2.5 kg

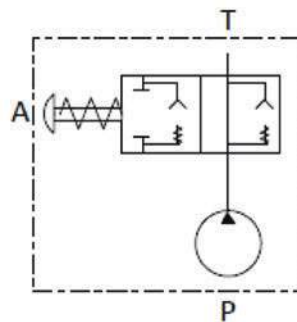
LIMIT CONTROL VALVE (CLOSED LOOP) 140LPM



SPECIFICATIONS

Product Code	66250200
Flow Rate	140 lpm
Max. Working Pressure	190 bar
Max. Pressure	230 bar
Weight	1.6 kg

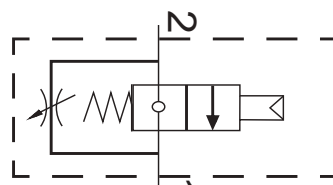
LIMIT CONTROL VALVE (OPEN LOOP) 140 LPM



SPECIFICATIONS

Product Code	66250210
Flow Rate	140 lpm
Max. Working Pressure	190 bar
Max. Pressure	230 bar
Weight	1.6 kg

HOIST SAFETY VALVE



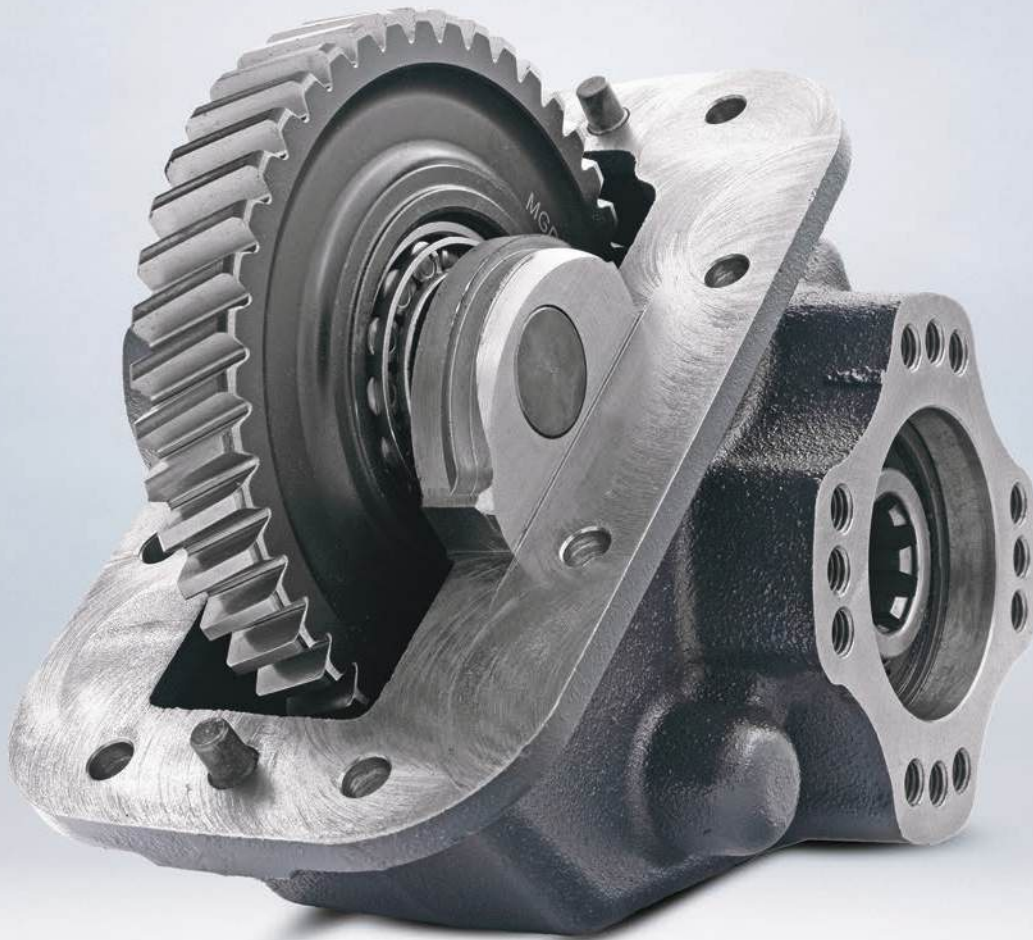
SPECIFICATIONS

Product Code	66140510
Max. Working Pressure	210 bar
Max. Pressure	230 bar
Weight	1.5 kg

Power Take Off



Power take-offs, also known as PTOs, transfer movement to auxiliary equipment, enabling the operation of hydraulic pumps. They are designed for reliable power delivery under varying loads. With durable construction and proven performance, Liwa Hydraulics PTOs ensure efficient and consistent operation under a wide range of applications.



power take off

ZF SINGLE GEAR PTO



COMPATIBLE VEHICLES

MERCEDES, RENAULT, IVECO, HINO, MAN, FORD, BMC, DAF, DAEWOO, DODGE

COMPATIBLE TRANSMISSIONS

S5-50, S5-90, S6-65, S6-66, S6-70, S6-75, S6-80, S6-90, 6S-800T0, 6S-1000T0, 6S-1200T0/T0

SPECIFICATIONS

Product Code	55149601
Mounting Type	Rear
Control Type	Pneumatic
Rotation	Right [cw]
Weight	3.5 kg

ZF SINGLE GEAR PTO WITH SWITCH



COMPATIBLE VEHICLES

MERCEDES, RENAULT, IVECO, HINO, MAN, FORD, BMC, DAF, DAEWOO, DODGE

COMPATIBLE TRANSMISSIONS

S5-50, S5-90, S6-65, S6-66, S6-70, S6-75, S6-80, S6-90, 6S-800T0, 6S-1000T0, 6S-1200T0/T0

SPECIFICATIONS

Product Code	55149621
Mounting Type	Rear
Control Type	Pneumatic
Rotation	Right [CW]
Weight	3.7 kg

ZF SINGLE GEAR (ALUMINIUM) PTO



COMPATIBLE VEHICLES

MERCEDES, RENAULT, IVECO, HINO, MAN, FORD, BMC, DAF, DAEWOO, DODGE

COMPATIBLE TRANSMISSIONS

S5-50, S5-90, S6-65, S6-66, S6-70, S6-75, S6-80, S6-90, 6S-800T0, 6S-1000T0, 6S-1200T0/T0

SPECIFICATIONS

Product Code	55149620
Mounting Type	Rear
Control Type	Pneumatic
Rotation	Right [CW]
Weight	2.2 kg

ZF SINGLE GEAR ALUMINIUM PTO WITH SWITCH



COMPATIBLE VEHICLES

MERCEDES, RENAULT, IVECO, HINO, MAN, FORD, BMC, DAF, DAEWOO, DODGE

COMPATIBLE TRANSMISSIONS

S5-50, S5-90, S6-65, S6-66, S6-70, S6-75, S6-80, S6-90, 6S-800T0, 6S-1000T0, 6S-1200TD/T0

SPECIFICATIONS

Product Code	55149622
Mounting Type	Rear
Control Type	Pneumatic
Rotation	Right(CW)
Weight	2.2 kg

ZF OFSSET PTO (OPEN TYPE)



COMPATIBLE VEHICLES

MERCEDES, RENAULT, IVECO, HINO, MAN, FORD, BMC, DAF, DAEWOO, DODGE

COMPATIBLE TRANSMISSIONS

S5-50, S5-90, S6-65, S6-66, S6-70, S6-75, S6-80, S6-90, 6S-800T0, 6S-1000T0, 6S-1200TD/T0

SPECIFICATIONS

Product Code	55149602
Mounting Type	Rear
Control Type	Pneumatic
Rotation	Left (CCW)
Weight	8.5 kg

ZF OFFSET PTO (CLOSED TYPE) R: 1/1



COMPATIBLE VEHICLES

MERCEDES, RENAULT, IVECO, HINO, MAN, FORD, BMC, DAF, DAEWOO, DODGE

COMPATIBLE TRANSMISSIONS

S5-50, S5-90, S6-65, S6-66, S6-70, S6-75, S6-80, S6-90, 6S-800T0, 6S-1000T0, 6S-1200TD/T0

SPECIFICATIONS

Product Code	55149623
Mounting Type	Rear
Control Type	Pneumatic
Rotation	Left (CCW)
Weight	11 kg

ZF OFFSET PTO (CLOSED TYPE) 1/1.34**COMPATIBLE VEHICLES**

MERCEDES, RENAULT, IVECO, HINO, MAN, FORD, BMC, DAF, DAEWOO, DODGE

COMPATIBLE TRANSMISSIONS

S5-50, S5-90, S6-65, S6-66, S6-70, S6-75, S6-80, S6-90, 6S-800TO, 6S-1000TO, 6S-1200TD/TO

SPECIFICATIONS

Product Code	55149624
Mounting Type	Rear
Control Type	Pneumatic
Rotation	Left (CCW)
Weight	11 kg

ZF OFFSET ALUMINIUM PTO (CLOSED TYPE) R: 1/1.33**COMPATIBLE VEHICLES**

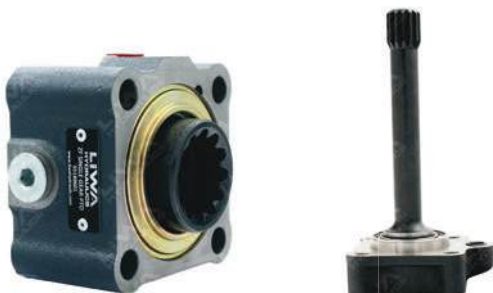
MERCEDES, RENAULT, IVECO, HINO, MAN, FORD, BMC, DAF, DAEWOO, DODGE

COMPATIBLE TRANSMISSIONS

S5-50, S5-90, S6-65, S6-66, S6-70, S6-75, S6-80, S6-90, 6S-800TO, 6S-1000TO, 6S-1200TD/TO

SPECIFICATIONS

Product Code	55149624A
Mounting Type	Rear
Control Type	Pneumatic
Rotation	Left (CCW)
Weight	5,2 kg

ZF AS TRONIC PTO SINGLE GEAR PTO - CARDAN SHAFT : 272MM**COMPATIBLE VEHICLES**

IVECO: 380 OT MAN: TGA 19.460, TGA 41.480, 14463, 19430, 39390, TGA 18.460A FORD: CARGO 1846 OT DAF: CF 85.330

COMPATIBLE TRANSMISSIONS

12AS-1630, 12AS-1631, 12AS-1930, 12AS-1931, 12AS-2130, 12AS-2130 TD, 12AS-2131, 12AS-2140, 12AS-2141, 12AS-2300 IT, 12AS-2301 IT, 12AS-2331, 12AS-2340, 12AS-2341, 12AS-2501, 12AS-251, 12AS-2531, 12AS-2540, 12AS-2541, 12AS-2740, 12AS-2741, 12AS-2940, 12AS-2941, 12AS-3001, 12AS-3002, 12AS-3140, 12AS3141, 16AS-1800, 16AS-2230, 16AS-2231, 16AS-251, 16AS-2600 IT, 16AS-2601 IT, 16AS-2630 TO, 16AS-2631 IT

SPECIFICATIONS

Product Code	55149652
Mounting Type	Rear
Control Type	Pneumatic
Rotation	Right(CW)
Weight	7 kg

ZF AS TRONIC OFFSET PTO - CARDAN SHAFT : 272 MM



COMPATIBLE VEHICLES

IVECO: 380 OT MAN: TGA 19.460, TGA 41.480, 14463, 19430, 39390, TGA 18.460A FORD: CARGO 1846 OT DAF: CF 85.330

COMPATIBLE TRANSMISSIONS

12AS-1630, 12AS-1631, 12AS-1930, 12AS-1931, 12AS-2130, 12AS-2130 TD, 12AS-2131, 12AS-2140, 12AS-2141, 12AS-2300 IT, 12AS-2301 IT, 12AS-2331, 12AS-2340, 12AS-2341, 12AS-2501, 12AS-251, 12AS-2531, 12AS-2540, 12AS-2541, 12AS-2740, 12AS-2741, 12AS-2940, 12AS-2941, 12AS-3001, 12AS-3002, 12AS-3140, 12AS3141, 16AS-1800, 16AS-2230, 16AS-2231, 16AS-251, 16AS-2600 IT, 16AS-2601 IT, 16AS-2630 TO, 16AS-2631 IT

SPECIFICATIONS

Product Code	55149653
Mounting Type	Rear
Control Type	Pneumatic
Rotation	Left (CCW)
Weight	14.5 kg

ZF DOUBLE OUTPUT PTO



COMPATIBLE VEHICLES

MERCEDES, RENAULT, IVECO, HINO, MAN, FORD, BMC, DAF, DAEWOO, DODGE

COMPATIBLE TRANSMISSIONS

6AS-850/6,72, 6S-800 TO/6,58-0,78, S850/6,72-0,79, 6S-850/6,72-8,51, S5- 35/5,64, S5-35/7,65, S5-45/7,65-6,32-7, 43, S6-36/6,06, S6-36/8,97 + GV 36/7,43, S6-36/8,97-1,0

SPECIFICATIONS

Product Code	55149628
Mounting Type	Rear
Control Type	Pneumatic
Rotation	Left (CCW) - Right (CW)
Weight	21 kg

ZF ECOMID 9 S 75 (13,16) SINGLE GEAR PTO WITH CARDAN SHAFT



COMPATIBLE VEHICLES

BMC: PRO 522, PRO 617, PRO 620, PRO 622, PRO 625, PRO 822 CHRYSLER: FARGO 19.260, FARGO 26.260, FARGO 26.265 IVECO: 120 E 18, 150 E 18-K, 160 E 22,160 E 25, 180 E 25-K, 180 E 30-K MERCEDES: 2521,2524, 3224, 823, 817, 917, 923, 1217, 1317, 1826, ATEGO 1323, ATEGO 1517 VOLVO: FL 618

COMPATIBLE TRANSMISSIONS

9 S 75 (13,16)

SPECIFICATIONS

Product Code	55149606
Mounting Type	Rear
Control Type	Pneumatic
Rotation	Right(CW)
Weight	7.7 kg

ZF ECOMID 9 S 75 (13,16) OFFSET PTO WITH CARDAN SHAFT

COMPATIBLE VEHICLES

BMC: PRO 522, PRO 617, PRO 620, PRO 622, PRO 625, PRO 822 CHRYSLER: FARGO 19.260, FARGO 26.260, FARGO 26.265 IVECO: 120 E 18, 150 E 18-K, 160 E 22, 160 E 25, 180 E 25-K, 180 E 30-K MERCEDES: 2521, 2524, 3224, 823, 817, 917, 923, 1217, 1317, 1826, ATEGO 1323, ATEGO 1517 VOLVO: FL 618

COMPATIBLE TRANSMISSIONS

9 S 75 (13,16)

SPECIFICATIONS

Product Code	55149607
Mounting Type	Rear
Control Type	Pneumatic
Rotation	Left (CCW)
Weight	15.2 kg

ZF ECOMID 9 S 109 (12,91) SINGLE GEAR PTO WITH CARDAN SHAFT

COMPATIBLE VEHICLES

RENAULT: 280 IVECO: EUROCARGO 180 E 28 MAN: 19360, 32270 FORD CARGO: 1830, 2530, 3226, 3227C, 3227S, 2527, 3530, 3230C, 3230S, 3240, 4030, 4050, 1832, 1838, 3232S, 2532 BMC PRO: 827, 832, 935, FATIH 270

COMPATIBLE TRANSMISSIONS

16S-109/13,31-13,41-13,43, 9S109/12,91, 9S-1110 TO/9,48-0,75, 9S1110 TO/9,48-12,73, 9S-1115 TO, 9S1310 TO/9,48

SPECIFICATIONS

Product Code	55149608
Mounting Type	Rear
Control Type	Pneumatic
Rotation	Right (CW)
Weight	7.7 kg

ZF ECOMID 9 S 109 (12,91) OFFSET PTO WITH CARDAN SHAFT

COMPATIBLE VEHICLES

RENAULT: 280 IVECO: EUROCARGO 180 E 28 MAN: 19360, 32270 FORD CARGO: 1830, 2530, 3226, 3227C, 3227S, 2527, 3530, 3230C, 3230S, 3240, 4030, 4050, 1832, 1838, 3232S, 2532 BMC PRO: 827, 832, 935, FATIH 270

COMPATIBLE TRANSMISSIONS

16S-109/13,31-13,41-13,43, 9S109/12,91, 9S-1110 TO/9,48-0,75, 9S1110 TO/9,48-12,73, 9S-1115 TO, 9S1310 TO/9,48

SPECIFICATIONS

Product Code	55149609
Mounting Type	Rear
Control Type	Pneumatic
Rotation	Left (CCW)
Weight	15 kg

ZF ECOMID 9 S 109 (12,91) / 16 S 109 (13,31 - 13,41 - 13,43) SIDE MOUNTED PTO



COMPATIBLE VEHICLES

RENAULT: 280 IVECO: EUROCARGO 180 E 28 MAN: 19360, 32270 FORD CARGO: 1830, 2530, 3226, 3227C, 3227S, 2527, 3530, 3230C, 3230S, 3240, 4030, 4050, 1832, 1838, 3232S, 2532 BMC PRO: 827, 832, 935, FATIH 270

COMPATIBLE TRANSMISSIONS

16S-109/13,31-13,41-13,43, 9S109/12,91, 9S-1110 TO/9,48-0,75, 9S1110 TO/9,48-12,73, 9S-1115 TO, 9S1310 TO/9,48

SPECIFICATIONS

Product Code	55149629
Mounting Type	Side
Control Type	Pneumatic
Rotation	Left (CCW)
Weight	11 kg

ZF ECOMID 9 S 109 (12,92) SINGLE GEAR PTO WITH CARDAN SHAFT



COMPATIBLE VEHICLES

MAN: 17192, 18220, 19270, 25270, 26230, 26270 FORD CARGO: 1827, 2527, 2626 DAF CF: 75.270, 75.300 STEYR: S18, S21, S24, S28, S29, S31

COMPATIBLE TRANSMISSIONS

16S-109/13,30-13,42-13,04, 8S-109/11, 35, 9S-109/12,92

SPECIFICATIONS

Product Code	55149610
Mounting Type	Rear
Control Type	Pneumatic
Rotation	Right (CW)
Weight	7.7 kg

ZF ECOMID 9 S 109 (12,92) OFFSET PTO



COMPATIBLE VEHICLES

MAN: 17192, 18220, 19270, 25270, 26230, 26270 FORD CARGO: 1827, 2527, 2626 DAF CF: 75.270, 75.300 STEYR: S18, S21, S24, S28, S29, S31

COMPATIBLE TRANSMISSIONS

16S-109/13,30-13,42-13,04, 8S-109/11, 35, 9S-109/12,92

SPECIFICATIONS

Product Code	55149611
Mounting Type	Rear
Control Type	Pneumatic
Rotation	Left (CCW)
Weight	15 kg

POWER TAKE OFF

ZF ECOMID 9 S 109 (12,92) / 16 S 109 (13,30 - 13,42 - 13,04) SIDE MOUNTED PTO

COMPATIBLE VEHICLES

MAN: 17192, 18220, 19270, 25270, 26230, 26270 FORD CARGO: 1827, 2527, 2626 DAF CF: 75.270, 75.300 STEYR: S18, S21, S24, S28, S29, S31

COMPATIBLE TRANSMISSIONS

16S-109/13,30-13,42-13,04, 8S-109/11, 35, 9S-109/12,92

SPECIFICATIONS

Product Code	55149605
Mounting Type	Side
Control Type	Pneumatic
Rotation	Left (CCW)
Weight	11 kg

ZF ECOMID 16 S 109 (13,53 - 11,86) SINGLE GEAR PTO

COMPATIBLE VEHICLES

MAN: 17.232, 19.230, 19.340, 26.342 FORD CARGO: 3226, 2530 RENAULT PREMIUM: 300, 320.32, 370 AS 19.300, 26.300, 32.300, 38.300 FARGO: ASKAM HI-EX ISUZU: FTR 800, FVR 900, FTM 1200, FVZ 1700, FVM 23, FVZ 23, FVR 23, GXZ 270, GXZ 320 DAF: 75.330 HINO: 500 SERIES, SG2PDPA STEYR

COMPATIBLE TRANSMISSIONS

ECOMID 16 S 109 (13,53 - 11,86) 8 S 109 (13,53) 9S 109 (10,24 - 10,25)

SPECIFICATIONS

Product Code	55149612
Mounting Type	Rear
Control Type	Pneumatic
Rotation	Right (CW)
Weight	7.7 kg

ZF ECOMID 16 S 109 (13,53 - 11,86) OFFSET PTO

COMPATIBLE VEHICLES

MAN: 17.232, 19.230, 19.340, 26.342 FORD CARGO: 3226, 2530 RENAULT PREMIUM: 300, 320.32, 370 AS 19.300, 26.300, 32.300, 38.300 FARGO: ASKAM HI-EX ISUZU: FTR 800, FVR 900, FTM 1200, FVZ 1700, FVM 23, FVZ 23, FVR 23, GXZ 270, GXZ 320 DAF: 75.330 HINO: 500 SERIES, SG2PDPA STEYR

COMPATIBLE TRANSMISSIONS

ECOMID 16 S 109 (13,53 - 11,86) 8 S 109 (13,53) 9S 109 (10,24 - 10,25)

SPECIFICATIONS

Product Code	55149613
Mounting Type	Rear
Control Type	Pneumatic
Rotation	Left (CCW)
Weight	15 kg

ZF 5 S 110 GP / 5 - 110 GV / 5 - 111 GP SINGLE GEAR PTO WITH CARDAN SHAFT



COMPATIBLE VEHICLES

MAN: 26210, 26220, 32.280 DF, 32.321 DF, 32320 MERCEDES: 2232

COMPATIBLE TRANSMISSIONS

5 S 110 GP, 5- 110GV, 5 - 110GPA, 5 S 150GP, 5 - 150GP, 5 - 111GP, 5S111GV, 4 - 150 GP

SPECIFICATIONS

Product Code	55149631
Mounting Type	Rear
Control Type	Pneumatic
Rotation	Right(CW)
Weight	5.5 kg

ZF 5 S 110 GP / 5 - 110 GV / 5 - 111 GP OFFSET PTO WITH CARDAN SHAFT



COMPATIBLE VEHICLES

MAN: 26210, 26220, 32.280 DF, 32.321 DF, 32320 MERCEDES: 2232

COMPATIBLE TRANSMISSIONS

5 S 110 GP, 5- 110GV, 5 - 110GPA, 5 S 150GP, 5 - 150GP, 5 - 111GP, 5S111GV, 4 - 150 GP

SPECIFICATIONS

Product Code	55149632
Mounting Type	Rear
Control Type	Pneumatic
Rotation	Left (CCW)
Weight	12.5 kg

ZF ECOSPLIT 16 S 151 - 181 - 221 - 251 - 2030 - 1930 / 8 S 151 SINGLE GEAR PTO WITH CARDAN SHAFT



COMPATIBLE VEHICLES

MAN: 14.463, 17.322, 19.422, 19.423, 19.464, 19.400 TGA, 26.310, 26.372, 26.373, 26.422, 32.310, 33.372, 33.423, 40.423, 41.423, 40.463, FE420A, FE19.420, TGX 18.440, TGX 26.440 IVECO: STRALIS 430, 410 E 37, 400 E 38 BMC: 1142 HYUNDAI: HD 600, HD 700, HD 1000 FORD: 1835, 3235 RENAULT: PREMIUM 370.32, KERAX 420, KERAX 400, KERAX 440, KERAX 480 ASTRA: 6438 DAF: 75.310, 85.360, 85.400, 85.330, 95.500, CF 85.340, CF 85.360, CF 85.410, XF 95.430, XF 95.380, XF 95.480 KAMAZ: 6520-19 (6X4), 6520-60 (6x4), 6520-61 (6x4), 65201-63 (8x4), 65201 (8X4), 6522, 65225 (6X6), 65225 (6x6)

COMPATIBLE TRANSMISSIONS

ZF ECOSPLIT 16 S 151 - 181 - 221 - 251 -(13,80 - 13,85 - 16,47 - 16,53 - 16,41) 16S 2030 - 16S 1930 / 8 S 151

SPECIFICATIONS

Product Code	55149614
Mounting Type	Rear
Control Type	Pneumatic
Rotation	Right(CW)
Weight	7 kg

ZF ECOSPLIT 16 S 151 - 181 - 221 - 251 - 2030 - 1930 / 8 S 151 OFFSET PTO WITH CARDAN SHAFT

COMPATIBLE VEHICLES

MAN: 14.463, 17.322, 19.422, 19.423, 19.464, 19.400 TGA, 26.310, 26.372, 26.373, 26.422, 32.310, 33.372, 33.423, 40.423, 41.423, 40.463, FE420A, FE19.420, TGX 18.440, TGX 26.440 IVECO: STRALIS 430, 410 E 37, 400 E 38 BMC: 1142 HYUNDAI: HD 600, HD 700, HD 1000 FORD: 1835, 3235 RENAULT: PREMIUM 370.32, KERAX 420, KERAX 400, KERAX 440, KERAX 480 ASTRA: 6438 DAF: 75.310, 85.360, 85.400, 85.330, 95.500, CF 85.340, CF 85.360, CF 85.410, XF 95.430, XF 95.380, XF 95.480 KAMAZ: 6520-19 (6x4), 6520-60 (6x4), 6520-61 (6x4), 65201-63 (8x4), 65201 (8x4), 6522, 65225 (6x6), 65225 (6x6)

COMPATIBLE TRANSMISSIONS

ZF ECOSPLIT 16 S 151 - 181 - 221 - 251 -(13,80 - 13,85 - 16,47 - 16,53 - 16,41)
16S 2030 - 16S 1930 / 8 S 151

SPECIFICATIONS

Product Code	55149615
Mounting Type	Rear
Control Type	Pneumatic
Rotation	Left (CCW)
Weight	14.5 kg

ZF ECOSPLIT 16 S 130 - 150 - 160 - 190 - 220 - 1650 - 1600 / 8 S 135 SINGLE GEAR PTO WITH CARDAN SHAFT

COMPATIBLE VEHICLES

MAN: 16.181, 19.280, 19.422, 25.372 (SILENT), 26.280, 26.281, 26.231, 26.321, 32.281, 32.365, 33.281, 19.422(SILENT) MERCEDES: 1935, 2228, 2433, 2624, 2628, 2633, 3828, 4028 DAF: 33.300, 95.330, 95.400 MERCEDES SAURER: 26.35

COMPATIBLE TRANSMISSIONS

ZF ECOSPLIT 16 S 130 - 150 - 160 - 190 - 220 (14,29 - 17,28 - 17,06 - 13,80) - 16 S 1650 - 8 S 135 - 16 S 1600 (13,68 - 16,47)

SPECIFICATIONS

Product Code	55149616
Mounting Type	Rear
Control Type	Pneumatic
Rotation	Right(CW)
Weight	6.5 kg

ZF ECOSPLIT 16 S 130 - 150 - 160 - 190 - 220 - 1650 - 1600 / 8 S 135 OFFSET PTO WITH TRIANGULAR CARDAN SHAFT

COMPATIBLE VEHICLES

MAN: 16.181, 19.280, 19.422, 25.372 (SILENT), 26.280, 26.281, 26.231, 26.321, 32.281, 32.365, 33.281, 19.422(SILENT) MERCEDES: 1935, 2228, 2433, 2624, 2628, 2633, 3828, 4028 DAF: 33.300, 95.330, 95.400 MERCEDES SAURER: 26.35

COMPATIBLE TRANSMISSIONS

ZF ECOSPLIT 16 S 130 - 150 - 160 - 190 - 220 (14,29 - 17,28 - 17,06 - 13,80) - 16 S 1650 - 8 S 135 - 16 S 1600 (13,68 - 16,47)

SPECIFICATIONS

Product Code	55149617
Mounting Type	Rear
Control Type	Pneumatic
Rotation	Left (CCW)
Weight	14 kg

ZF ECOSPLIT 16 S 112 - 130 - 150 - 220 / 16 K 130 - 112 - 16 SINGLE GEAR PTO WITH TRIANGULAR CARDAN SHAFT



COMPATIBLE VEHICLES

MAN: 16,281- 19,332 - 26,280 - 26,281- 26,231 MERCEDES: 2228 - 2528 - 2628 - 2232 - (6X4) -2624 STEYR

COMPATIBLE TRANSMISSIONS

ZF ECOSPLIT 16 S 112(17,28) 16 K 130(14,29) 16 S 130 - 150 - 220(17,28) 16 K 112 - 16 - 122(13,68) - 16 S 220

SPECIFICATIONS

Product Code	55149633
Mounting Type	Rear
Control Type	Pneumatic
Rotation	Right(CW)
Weight	12.5 kg

ZF ECOLITE S 5 - 42 (5,72) SIDE MOUNTED MECHANICAL CONTROL PTO



COMPATIBLE VEHICLES

MERCEDES: MB 800 MAN: 8150, 10153, 10163, 10185 BADSAN: 302, 304, 306, 313, 317

COMPATIBLE TRANSMISSIONS

ZF ECOLITE S 5-42/5,72

SPECIFICATIONS

Product Code	55149635
Mounting Type	Right & Left Side
Control Type	Mechanic
Rotation	Right(CW)
Weight	11.5 kg

ZF ECOLITE S 5 - 42 (5,72) SIDE MOUNTED PNEUMATIC CONTROL PTO



COMPATIBLE VEHICLES

MERCEDES: MB 800 MAN: 8150, 10153, 10163, 10185 BADSAN: 302, 304, 306, 313, 317

COMPATIBLE TRANSMISSIONS

ZF ECOLITE S 5-42/5,72

SPECIFICATIONS

Product Code	55149604
Mounting Type	Right & Left Side
Control Type	Pneumatic
Rotation	Right(CW)
Weight	11.5 kg

POWER TAKE OFF

ZF ECOLITE S 5 - 42 (4,65) SIDE MOUNTED MECHANICAL CONTROL PTO

COMPATIBLE VEHICLES

MAN: 8140, 8145, 8155, 8165, 8185 DAF: 45 LE

COMPATIBLE TRANSMISSIONS

ZF ECOLITE S 5-42/4,65

SPECIFICATIONS

Product Code	55149638
Mounting Type	Right Side
Control Type	Mechanic
Rotation	Right(CW)
Weight	11.5 kg

ZF ECOLITE S 5 - 42 (4,65) SIDE MOUNTED PNEUMATIC CONTROL PTO

COMPATIBLE VEHICLES

MAN: 8140, 8145, 8155, 8165, 8185 DAF: 45 LE

COMPATIBLE TRANSMISSIONS

ZF ECOLITE S 5-42/4,65

SPECIFICATIONS

Product Code	55149639
Mounting Type	Right Side
Control Type	Pneumatic
Rotation	Right(CW)
Weight	11.5 kg

ZF 5 S 200 - 270 - 290 SIDE MOUNTED MECHANICAL CONTROL PTO

COMPATIBLE VEHICLES

RENAULT: MASCOTT 210, MASCOTT 220 IVECO: DAILY 2006-35 S 10, DAILY 2006-35 S 12, DAILY 2006-35 S 14, DAILY 2006-35 C 10, DAILY 2006-35 C 12, DAILY 2006-35 C 14, DAILY 2006-40 C 10, DAILY 2006-40 C 12, DAILY 2000-35 C 9, DAILY 2000-35 C 11

COMPATIBLE TRANSMISSIONS

ZF 5 S 200 IVECO 2825.5, 2830.5

SPECIFICATIONS

Product Code	55149644
Mounting Type	Left Side
Control Type	Mechanic
Rotation	Right(CW)
Weight	11 kg

ZF ECOLITE 6 S 300 - 350 / 6 AS 300 SIDE MOUNTED MECHANICAL CONTROL PTO



COMPATIBLE VEHICLES

110 dci - 130dci - 140dci - 150dci - 160dci - 160 Dxi RENAULT MASCOTT / IVECO 35C13 DAILY GAMMA 2000 / SCM 4X4 40C15 / 65C15 RENAULT: 110DCI, 130DCI, 140DCI, 150DCI, 160DCI IVECO: DAILY 2000-40 C 15, DAILY 2000- 65 C 15

COMPATIBLE TRANSMISSIONS

ZF 6AS-300 VD - IVECO 2832.6 - IVECO 2833.6

SPECIFICATIONS

Product Code	55149645
Mounting Type	Right Side
Control Type	Mechanic
Rotation	6S300 : Left Side - 6S350 : Right Side
Weight	11.5 kg

ZF ECOLITE 6 S 300 - 350 / 6 AS 300 SIDE MOUNTED PNEUMATIC CONTROL PTO



COMPATIBLE VEHICLES

110 dci - 130dci - 140dci - 150dci - 160dci - 160 Dxi RENAULT MASCOTT / IVECO 35C13 DAILY GAMMA 2000 / SCM 4X4 40C15 / 65C15 RENAULT: 110DCI, 130DCI, 140DCI, 150DCI, 160DCI IVECO: DAILY 2000-40 C 15, DAILY 2000- 65 C 15

COMPATIBLE TRANSMISSIONS

ZF 6AS-300 VD - IVECO 2832.6 - IVECO 2833.6

SPECIFICATIONS

Product Code	55149646
Mounting Type	Right Side
Control Type	Pneumatic
Rotation	6S300 : Left Side - 6S350 : Right Side
Weight	11.5 kg

ZF ECOLITE 6 S 380 SIDE MOUNTED VACUUM CONTROL PTO



COMPATIBLE VEHICLES

IVECO 45C15 DAILY 4X4 50C18 35C15 50C15 IVECO 65C15 70C15 IVECO DAILY 4X4 55S18 / NISSAN ATLEON 56,15 / NISSAN CABSTAR 45,13 RENAULT MAXITY

COMPATIBLE TRANSMISSIONS

6AS-400/5,375-0,79, 6S-380 V0/5,38-0,79, 6S-400/5,375-0,79

SPECIFICATIONS

Product Code	55149654
Mounting Type	Left Side
Control Type	Vacuum
Rotation	Right (CW)
Weight	11 kg

POWER TAKE OFF

ZF ECOLITE 6 S 380 - 4000 / 6 S 500 SIDE MOUNTED MECHANICAL CONTROL PTO

COMPATIBLE VEHICLES

IVECO 45C15 DAILY 4X4 50C18 35C15 50C15 IVECO 65C15 70C15
IVECO DAILY 4X4 55S18 / NISSAN ATLEON 56,15 / NISSAN CABSTAR 45,13
RENAULT MAXITY

COMPATIBLE TRANSMISSIONS

6AS-400/5,375-0,79, 6S-380 V0/5,38-0,79, 6S-400/5,375-0,79

SPECIFICATIONS

Product Code	55149647
Mounting Type	Left Side
Control Type	Mechanic
Rotation	Right(CW)
Weight	11.5 kg

ZF NEW ECOSPLIT 16 S 251 SINGLE GEAR PTO + CARDAN SHAFT WITH PLATE (L : 251 MM)

COMPATIBLE VEHICLES

MAN: TGA 18.460, 14463, TGA 39.390, TGS 41.480, TGS 41.540, TGA 41.480, TGS 41.450, 19430, 39390, TGA 18.460A DAF: CF 5.330

COMPATIBLE TRANSMISSIONS

12AS-1800, 12AS-1931, 12AS-2131, 2AS-2530, 12S2131, 12S-2331, 12S-2831, 16AS-2200, 16AS-2530 T0/12,33, 6AS-2630, 16S-1631, 16S-181 IT/16,41, 16S-1831, 16S-1931, 16S-2031, 16S-222 DD, 16S2221, 16S-2331, 16S-252, 16S-2521 T0/13,80-16,41, 16S-2531, 16S-2731 IT, 8S-1831, 8S-1931, 8S-2231

SPECIFICATIONS

Product Code	55149618
Mounting Type	Rear
Control Type	Pneumatic
Rotation	Right(CW)
Weight	7 kg

ZF NEW ECOSPLIT 16 S 251 OFFSET PTO + CARDAN SHAFT WITH PLATE (L : 251 MM)

COMPATIBLE VEHICLES

MAN: TGA 18.460, 14463, TGA 39.390, TGS 41.480, TGS 41.540, TGA 41.480, TGS 41.450, 19430, 39390, TGA 18.460A DAF: CF 5.330

COMPATIBLE TRANSMISSIONS

12AS-1800, 12AS-1931, 12AS-2131, 2AS-2530, 12S2131, 12S-2331, 12S-2831, 16AS-2200, 16AS-2530 T0/12,33, 6AS-2630, 16S-1631, 16S-181 IT/16,41, 16S-1831, 16S-1931, 16S-2031, 16S-222 DD, 16S2221, 16S-2331, 16S-252, 16S-2521 T0/13,80-16,41, 16S-2531, 16S-2731 IT, 8S-1831, 8S-1931, 8S-2231

SPECIFICATIONS

Product Code	55149619
Mounting Type	Rear
Control Type	Pneumatic
Rotation	Left (CCW)
Weight	14.5 kg

ZF AS TRONIC PTO (16 AS 251) SINGLE GEAR PTO - CARDAN SHAFT : 284 MM



COMPATIBLE VEHICLES

MAN: TGA 18.460, 14463, TGA 39.390, TGS 41.480, TGS 41.540, TGA 41.480, TGS 41.450, 19430, 39390, TGA 18.460A DAF: CF 5.330

COMPATIBLE TRANSMISSIONS

12AS-1630, 12AS-1631, 12AS-1930, 12AS-1931, 12AS-2130, 12AS-2130 TD, 12AS-2131, 12AS-2140, 12AS-2141, 12AS-2300 IT, 12AS-2301 IT, 12AS-2331, 12AS-2340, 12AS-2341, 12AS-2501, 12AS-251, 12AS-2531, 12AS-2540, 12AS-2541, 12AS-2740, 12AS-2741, 12AS-2940, 12AS-2941, 12AS-3001, 12AS-3002, 12AS-3140, 12AS3141, 16AS-1800, 16AS-2230, 16AS-2231, 16AS-251, 16AS-2600 IT, 16AS-2601 IT, 16AS-2630 TO, 16AS-2631 IT

SPECIFICATIONS

Product Code	55149652
Mounting Type	Rear
Control Type	Pneumatic
Rotation	Right(CW)
Weight	7 kg

ZF AS TRONIC OFFSET PTO - CARDAN SHAFT : 284 MM



COMPATIBLE VEHICLES

MAN: TGA 18.460, 14463, TGA 39.390, TGS 41.480, TGS 41.540, TGA 41.480, TGS 41.450, 19430, 39390, TGA 18.460A DAF: CF 5.330

COMPATIBLE TRANSMISSIONS

12AS-1630, 12AS-1631, 12AS-1930, 12AS-1931, 12AS-2130, 12AS-2130 TD, 12AS-2131, 12AS-2140, 12AS-2141, 12AS-2300 IT, 12AS-2301 IT, 12AS-2331, 12AS-2340, 12AS-2341, 12AS-2501, 12AS-251, 12AS-2531, 12AS-2540, 12AS-2541, 12AS-2740, 12AS-2741, 12AS-2940, 12AS-2941, 12AS-3001, 12AS-3002, 12AS-3140, 12AS3141, 16AS-1800, 16AS-2230, 16AS-2231, 16AS-251, 16AS-2600 IT, 16AS-2601 IT, 16AS-2630 TO, 16AS-2631 IT

SPECIFICATIONS

Product Code	55149653
Mounting Type	Rear
Control Type	Pneumatic
Rotation	Left (CCW)
Weight	14.5 kg

ZF POWERFUL OFFSET PTO R: 1,34



COMPATIBLE VEHICLES

MERCEDES, RENAULT, IVECO, HINO, MAN, FORD, BMC, DAF, DAEWOO, DODGE

COMPATIBLE TRANSMISSIONS

S5-50, S5-90, S6-65, S6-66, S6-70, S6-75, S6-80, S6-90, 6S-800TO, 6S-1000TO, 6S-1200TO/TO

SPECIFICATIONS

Product Code	55149671
Mounting Type	Rear
Control Type	Pneumatic
Rotation	Left
Weight	11 kg

ZF POWERFUL OFFSET PTO R: 1,5



COMPATIBLE VEHICLES
 MERCEDES, RENAULT, IVECO, HINO, MAN, FORD, BMC, DAF, DAEWOO, DODGE

COMPATIBLE TRANSMISSIONS
 S5-50, S5-90, S6-65, S6-66, S6-70, S6-75, S6-80, S6-90, 6S-800T0, 6S-1000T0, 6S-1200T0/T0

SPECIFICATIONS	
Product Code	55149672
Mounting Type	Rear
Control Type	Pneumatic
Rotation	Left
Weight	11 kg

ZF 6 S 400 MECHANICAL CONTROL PTO



COMPATIBLE VEHICLES

COMPATIBLE TRANSMISSIONS
 6AS-400 / 5,375-0,79, 6S-380 V0 / 5,38-0, 79, 6S-400 / 5,375-0,79

SPECIFICATIONS	
Product Code	55149668
Mounting Type	Left Side
Control Type	Mechanic
Rotation	Right [CW]
Weight	11 kg

ZF 6 S 400 VACUUM CONTROL PTO



COMPATIBLE VEHICLES
 -

COMPATIBLE TRANSMISSIONS
 6AS-400 / 5,375-0,79, 6S-380 V0 / 5,38-0, 79, 6S-400 / 5,375-0,79

SPECIFICATIONS	
Product Code	55149667
Mounting Type	Left Side
Control Type	Vacuum
Rotation	Right [CW]
Weight	11 kg

ZF 6 S 500 PNEUMATIC CONTROL PTO



COMPATIBLE VEHICLES

FOTON: 10-16 DT OTOKAR: ATLAS E6

COMPATIBLE TRANSMISSIONS

6 S 500 TO

SPECIFICATIONS

Product Code	55149687
Mounting Type	Left Side
Control Type	Pneumatic
Rotation	Right [CW]
Weight	15 kg

ZF TRAXON SINGLE GEAR PTO



COMPATIBLE VEHICLES

FORD: CARGO 1842 OT, CARGO 1848 OT, CARGO 3242, CARGO 2542 OT, CARGO 2642 OT, CARGO 4142 OT, CARGO 1846 OT

COMPATIBLE TRANSMISSIONS

12S TX 2210, 12TX-1610 TO, 12TX1810 TO, 12TX-2010, 12TX-2010 TO, 12TX-2210, 12TX-2410 TO, 12TX-2610 TO, 12TX-2620, 12TX-2620 TO, 12TX2820 TO

SPECIFICATIONS

Product Code	55149674
Mounting Type	Rear
Control Type	Pneumatic
Rotation	Right [CW]
Weight	10 kg

ZF TRAXON SINGLE GEAR ALUMINIUM PTO



COMPATIBLE VEHICLES

FORD: CARGO 1842 OT, CARGO 1848 OT, CARGO 3242, CARGO 2542 OT, CARGO 2642 OT, CARGO 4142 OT, CARGO 1846 OT

COMPATIBLE TRANSMISSIONS

12S TX 2210, 12TX-1610 TO, 12TX1810 TO, 12TX-2010, 12TX-2010 TO, 12TX-2210, 12TX-2410 TO, 12TX-2610 TO, 12TX-2620, 12TX-2620 TO, 12TX2820 TO

SPECIFICATIONS

Product Code	55149674A
Mounting Type	Rear
Control Type	Pneumatic
Rotation	Right [CW]
Weight	5 kg

POWER TAKE OFF

ZF TRAXON OFFSET PTO



COMPATIBLE VEHICLES

FORD: CARGO 1842 OT, CARGO 1848 OT, CARGO 3242, CARGO 2542 OT, CARGO 2642 OT, CARGO 4142 OT, CARGO 1846 OT

COMPATIBLE TRANSMISSIONS

12S TX 2210, 12TX-1610 TO, 12TX1810 TO, 12TX-2010, 12TX-2010 TO, 12TX-2210, 12TX-2410 TO, 12TX-2610 TO, 12TX-2620, 12TX-2620 TO, 12TX2820 TO

SPECIFICATIONS

Product Code	55149675
Mounting Type	Rear
Control Type	Pneumatic
Rotation	Left (CCW)
Weight	17 kg

ZF 8 AP PTO



COMPATIBLE VEHICLES

COMPATIBLE TRANSMISSIONS

ZF 8 AP 600 800 1000 1200

SPECIFICATIONS

Product Code	55149676
Mounting Type	Left Side
Control Type	Pneumatic
Rotation	Left (CCW)
Weight	15 kg



SCANIA GR 900 / GRH 900 UNI PTO



COMPATIBLE VEHICLES

94C310 - 124C360 - R124 GB360 - 124G360 - 143H450CV - 143M400CV - 143M400CV - 260H - 143H - P113M - P114 GA 380 - 114P - 124R - 113P - 114R - 113H 360 SCANIA

COMPATIBLE TRANSMISSIONS

GR 900, GRH 900

SPECIFICATIONS

Product Code	55248603
Mounting Type	Right Side
Control Type	Pneumatic
Rotation	Right (CW)
Weight	17.5 kg

SCANIA GR 900 / GRH 900 ISO PTO



COMPATIBLE VEHICLES

94C310 - 124C360 - R124 GB360 - 124G360 - 143H450CV - 143M400CV - 143M400CV - 260H - 143H - P113M - P114 GA 380 - 114P - 124R - 113P - 114R - 113H 360 SCANIA

COMPATIBLE TRANSMISSIONS

GR 900, GRH 900

SPECIFICATIONS

Product Code	55248606
Mounting Type	Right Side
Control Type	Pneumatic
Rotation	Right [CW]
Weight	22.5 kg

SCANIA GRS 900 - 890 - 920 UNI PTO



COMPATIBLE VEHICLES

SCANIA: R 113 HK, R 143 E, R 144, 164 C.580, 94 D.260, 124 G 420, 124L400, 144L530, 124LA420, 144LA460, 144LA530, 143H, 143M, R580, R124GA/CB, R 164GA

COMPATIBLE TRANSMISSIONS

GRS 890, GRS 900, GRS 920

SPECIFICATIONS

Product Code	55248607
Mounting Type	Right Side
Control Type	Pneumatic
Rotation	Right [CW]
Weight	17.5 kg

SCANIA GRS 900 - 890 - 920 ISO PTO



COMPATIBLE VEHICLES

SCANIA: R 113 HK, R 143 E, R 144, 164 C.580, 94 D.260, 124 G 420, 124L400, 144L530, 124LA420, 144LA460, 144LA530, 143H, 143M, R580, R124GA/CB, R 164GA

COMPATIBLE TRANSMISSIONS

GRS 890, GRS 900, GRS 920

SPECIFICATIONS

Product Code	55248602
Mounting Type	Right Side
Control Type	Pneumatic
Rotation	Right [CW]
Weight	22.5 kg

POWER TAKE OFF

SCANIA GR 801 UNI PTO



COMPATIBLE VEHICLES

R94 - 94 - 220 - 94 - 260 - 110H - P93 - P94DB - HP210- HP220 SCANIA

COMPATIBLE TRANSMISSIONS

GR 801

SPECIFICATIONS

Product Code	55248608
Mounting Type	Right Side
Control Type	Pneumatic
Rotation	Right [CW]
Weight	17.5 kg

SCANIA GR 801 ISO PTO



COMPATIBLE VEHICLES

R94 - 94 - 220 - 94 - 260 - 110H - P93 - P94DB - HP210- HP220 SCANIA

COMPATIBLE TRANSMISSIONS

GR 801

SPECIFICATIONS

Product Code	55248609
Mounting Type	Right Side
Control Type	Pneumatic
Rotation	Right [CW]
Weight	22.5 kg

SCANIA GR 770 - GS 771 - G 670 UNI PTO



COMPATIBLE VEHICLES

SCANIA: L 81, G 82 LM, L 82, P 82, L 86, LBT 86, P 92 H, HP 220, P 93 H 4X2 (HP 220), G 112 M, P 112 M, 93, 100H, 111, 112, 113R, 143P, 82H220

COMPATIBLE TRANSMISSIONS

G 670, GR 770, GS 750, GS 760, GS 770, GS 771

SPECIFICATIONS

Product Code	55248610
Mounting Type	Right Side
Control Type	Pneumatic
Rotation	Right [CW]
Weight	15.5 kg

SCANIA GR 770 - GS 771 - G 670 ISO PTO



COMPATIBLE VEHICLES

SCANIA: L 81, G 82 LM, L 82, P 82, L 86, LBT 86, P 92 H, HP 220, P 93 H 4X2 (HP 220), G 112 M, P 112 M, 93, 100H, 111, 112, 113R, 143P, 82H220

COMPATIBLE TRANSMISSIONS

G 670, GR 770, GS 750, GS 760, GS 770, GS 771

SPECIFICATIONS

Product Code	55248611
Mounting Type	Right Side
Control Type	Pneumatic
Rotation	Right [CW]
Weight	21 kg

SCANIA GR 860 UNI PTO



COMPATIBLE VEHICLES

SCANIA: L 110, L 111, LBS 111, L 141, LT 146, 82H, 112, 113, 140, 141H, 143

COMPATIBLE TRANSMISSIONS

GR 860

SPECIFICATIONS

Product Code	55248612
Mounting Type	Right Side
Control Type	Pneumatic
Rotation	Right [CW]
Weight	15.5 kg

SCANIA GR 860 ISO PTO



COMPATIBLE VEHICLES

SCANIA: L 110, L 111, LBS 111, L 141, LT 146, 82H, 112, 113, 140, 141H, 143

COMPATIBLE TRANSMISSIONS

GR 860

SPECIFICATIONS

Product Code	55248613
Mounting Type	Right Side
Control Type	Pneumatic
Rotation	Right [CW]
Weight	21 kg

POWER TAKE OFF

SCANIA GR 870 - 871 UNI PTO

COMPATIBLE VEHICLES

SCANIA: P 92 MA INTERCOOLER, HP 245, P 82, HP 275, P 93 H, R 93 H, L 111, LBS 111, G 112 M, L 112, P 112, R 112, P 112 H, P 113 E, R 113 E, R 113 H, R 113 M, L 141, R 142 E, T 142 H, LT 146, P92, 93, 113R, 114H, 144L, 93H280, R113M

COMPATIBLE TRANSMISSIONS

GR 870, GR 871

SPECIFICATIONS

Product Code	55248601
Mounting Type	Right Side
Control Type	Pneumatic
Rotation	Right [CW]
Weight	15.5 kg

SCANIA GR 870 - 871 ISO PTO

COMPATIBLE VEHICLES

SCANIA: P 92 MA INTERCOOLER, HP 245, P 82, HP 275, P 93 H, R 93 H, L 111, LBS 111, G 112 M, L 112, P 112, R 112, P 112 H, P 113 E, R 113 E, R 113 H, R 113 M, L 141, R 142 E, T 142 H, LT 146, P92, 93, 113R, 114H, 144L, 93H280, R113M

COMPATIBLE TRANSMISSIONS

GR 870, GR 871

SPECIFICATIONS

Product Code	55248614
Mounting Type	Right Side
Control Type	Pneumatic
Rotation	Right [CW]
Weight	21 kg

SCANIA GR 880 - GRH 880 UNI PTO

COMPATIBLE VEHICLES

SCANIA: R 143 H, R 143 E, P92, 93, 113R, 114H, 144L, 93H280, R113M, P113M, P114 GA380, 114P, 124R, 113P, 114R, 113H360

COMPATIBLE TRANSMISSIONS

GR 880, GRH 880

SPECIFICATIONS

Product Code	55248615
Mounting Type	Right Side
Control Type	Pneumatic
Rotation	Right [CW]
Weight	15.5 kg

SCANIA GR 880 - GRH 880 ISO PTO



COMPATIBLE VEHICLES

SCANIA: R 143 H, R 143 E, P92, 93, 113R, 114H, 144L, 93H280, R113M, P113M, P114 GA380, 114P, 124R, 113P, 114R, 113H360

COMPATIBLE TRANSMISSIONS

GR 880, GRH 880

SPECIFICATIONS

Product Code	55248616
Mounting Type	Right Side
Control Type	Pneumatic
Rotation	Right (CW)
Weight	21 kg

SCANIA GR 905 - GRS 905 SINGLE GEAR PTO WITH LONG CARDAN SHAFT (L : 612 MM)



COMPATIBLE VEHICLES

SCANIA: EURO 5 - R420, EURO 5 - G420

COMPATIBLE TRANSMISSIONS

GR 905, GRS 905

SPECIFICATIONS

Product Code	55248605
Mounting Type	Right Side - Rear
Control Type	Pneumatic
Rotation	Left (CCW)
Weight	22.5 kg

SCANIA GR 905 - GRS 905 SINGLE GEAR ALUMINIUM PTO WITH LONG CARDAN SHAFT (L : 612 MM)



COMPATIBLE VEHICLES

SCANIA: EURO 5 - R420, EURO 5 - G420

COMPATIBLE TRANSMISSIONS

GR 905, GRS 905

SPECIFICATIONS

Product Code	55248605A
Mounting Type	Right Side - Rear
Control Type	Pneumatic
Rotation	Left (CCW)
Weight	19 kg

POWER TAKE OFF

SCANIA GR 905 - GRS 905 DOUBLE GEAR PTO WITH LONG CARDAN SHAFT (L : 612 MM)



COMPATIBLE VEHICLES

SCANIA: EURO 5 - R420, EURO 5 - G420

COMPATIBLE TRANSMISSIONS

GR 905, GRS 905

SPECIFICATIONS

Product Code	55248617
Mounting Type	Right Side - Rear
Control Type	Pneumatic
Rotation	Right (CW)
Weight	30 kg

SCANIA GRSO 905 R SINGLE GEAR PTO WITH LONG CARDAN SHAFT (L : 612 MM)



COMPATIBLE VEHICLES

SCANIA: EURO 4 - R620, EURO 5 - R420, EURO 5 - G420

COMPATIBLE TRANSMISSIONS

GRSO 905, GRSO 905 R

SPECIFICATIONS

Product Code	55248618
Mounting Type	Right Side - Rear
Control Type	Pneumatic
Rotation	Left (CCW)
Weight	23 kg

SCANIA GRSO 905 R SINGLE GEAR ALUMINIUM PTO WITH CARDAN SHAFT (L : 612 MM)



COMPATIBLE VEHICLES

SCANIA: EURO 4 - R620, EURO 5 - R420, EURO 5 - G420

COMPATIBLE TRANSMISSIONS

GRSO 905, GRSO 905 R

SPECIFICATIONS

Product Code	55249618A
Mounting Type	Right Side - Rear
Control Type	Pneumatic
Rotation	Left (CCW)
Weight	19.5 kg

SCANIA GRSO 905 R DOUBLE GEAR PTO WITH LONG CARDAN SHAFT (L : 612 MM)



COMPATIBLE VEHICLES

SCANIA: EURO 4 - R620, EURO 5 - R420, EURO 5 - G420

COMPATIBLE TRANSMISSIONS

GRSO 905, GRSO 905 R

SPECIFICATIONS

Product Code	55248619
Mounting Type	Right Side - Rear
Control Type	Pneumatic
Rotation	Right (CW)
Weight	30 kg

SCANIA GR 875 SINGLE GEAR PTO WITH SHORT CARDAN SHAFT (L : 509 MM)



COMPATIBLE VEHICLES

R500 SCANIA

COMPATIBLE TRANSMISSIONS

GR 875, GR 895, GRS 895

SPECIFICATIONS

Product Code	55248620
Mounting Type	Right Side - Rear
Control Type	Pneumatic
Rotation	Left (CCW)
Weight	22 kg

SCANIA GR 875 SINGLE GEAR ALUMINIUM PTO WITH SHORT CARDAN SHAFT (L : 509 MM)



COMPATIBLE VEHICLES

R500 SCANIA

COMPATIBLE TRANSMISSIONS

GR 875, GR 895, GRS 895

SPECIFICATIONS

Product Code	55248620A
Mounting Type	Right Side - Rear
Control Type	Pneumatic
Rotation	Left (CCW)
Weight	18.5 kg

POWER TAKE OFF

SCANIA GR 875 DOUBLE GEAR PTO WITH SHORT CARDAN SHAFT (L : 509 MM)



COMPATIBLE VEHICLES

R500 SCANIA

COMPATIBLE TRANSMISSIONS

GR 875, GR 895, GRS 895

SPECIFICATIONS

Product Code	55248621
Mounting Type	Right Side - Rear
Control Type	Pneumatic
Rotation	Right (CW)
Weight	29 kg

SCANIA G25CM SINGLE GEAR PTO



COMPATIBLE VEHICLES

SCANIA

COMPATIBLE TRANSMISSIONS

G25CM - G33CM1

SPECIFICATIONS

Product Code	55248631
Mounting Type	Rear
Control Type	Pneumatic
Rotation	Right (CW)
Weight	15 kg

SCANIA G25CM DOUBLE GEAR PTO WITH CARDAN SHAFT



COMPATIBLE VEHICLES

SCANIA

COMPATIBLE TRANSMISSIONS

G25CM - G33CM1

SPECIFICATIONS

Product Code	55248632
Mounting Type	Rear
Control Type	Pneumatic
Rotation	Left (CCW)
Weight	22.5 kg

SCANIA G25CM-R SINGLE GEAR PTO



COMPATIBLE VEHICLES

SCANIA

COMPATIBLE TRANSMISSIONS

G25CM-R - G33CM1-R

SPECIFICATIONS

Product Code	55248633
Mounting Type	Rear
Control Type	Pneumatic
Rotation	Right [CW]
Weight	15 kg

SCANIA G25CM-R DOUBLE GEAR PTO WITH CARDAN SHAFT



COMPATIBLE VEHICLES

SCANIA

COMPATIBLE TRANSMISSIONS

G25CM-R - G33CM1-R

SPECIFICATIONS

Product Code	55248634
Mounting Type	Rear
Control Type	Pneumatic
Rotation	Left [CCW]
Weight	22.5 kg



MERCEDES G4 - GV PTO



COMPATIBLE VEHICLES

MERCEDES: 1117, 1120, 1222, 1324 L, 1417, 1422, 1425, 1520, 1619 C, 1620, 1622, 1625, 1628, 1820, 1922, 2028 LS, 2225, 2228, 2628, 2524, 2426 L, 2636, 1224, 1419, 1617, 1722, 1733, 1817, 1827, 2232, 2517, 2521, 2527, 3027, 1424, 1824, 1929, 1935, 1948, 2024, 2222, 2426, 2622, 2629, 2635

COMPATIBLE TRANSMISSIONS

G4/ 95-7/11 (EURO 2 + PMP), G4/110-6/9, G4/110-7/11 (6/9), G4/125-7/11 (6/9), G4/135-7/11 (6/9), G4/155-7/11 (6/9), G4/180-7/11 (6/9), G4/65-6/9, G4/65-7/11 (6/9), G4/90-7/11 (6/9), G4/95-6/9, G4/95-7/11 (6/9), GV4/ 95-6/9, GV4/1106/9, GV4/110-7/11 (6/9), GV4/125-7/11 (6/9), GV4/135-7/11 (6/9), GV4/155-7/11 (6/9), GV4/180-7/11 (6/9), GV4/65-7/11 (6/9), GV4/90-7/11 (6/9), GV4/95-7/11 (6/9)

SPECIFICATIONS

Product Code	55649605
Mounting Type	Rear
Control Type	Pneumatic
Rotation	Right [CW]
Weight	8.5 kg

MERCEDES G4 - GV SINGLE GEAR PTO

COMPATIBLE VEHICLES

MERCEDES: 1117, 1120, 1222, 1324 L, 1417, 1422, 1425, 1520, 1619 C, 1620, 1622, 1625, 1628, 1820, 1922, 2028 LS, 2225, 2228, 2628, 2524, 2426 L, 2636, 1224, 1419, 1617, 1722, 1733, 1817, 1827, 2232, 2517, 2521, 2527, 3027, 1424, 1824, 1929, 1935, 1948, 2024, 2222, 2426, 2622, 2629, 2635

COMPATIBLE TRANSMISSIONS

G4/ 95-7/11 (EURO 2 + PMP), G4/110-6/9, G4/110-7/11 (6/9), G4/125-7/11 (6/9), G4/135-7/11 (6/9), G4/155-7/11 (6/9), G4/180-7/11 (6/9), G4/65-6/9, G4/65-7/11 (6/9), G4/90-7/11 (6/9), G4/95-6/9, G4/95-7/11 (6/9), GV4/ 95-6/9, GV4/1106/9, GV4/110-7/11 (6/9), GV4/125-7/11 (6/9), GV4/135-7/11 (6/9), GV4/155-7/11 (6/9), GV4/180-7/11 (6/9), GV4/65-7/11 (6/9), GV4/90-7/11 (6/9), GV4/95-7/11 (6/9)

SPECIFICATIONS

Product Code	55649608
Mounting Type	Rear
Control Type	Pneumatic
Rotation	Right [CW]
Weight	6.5 kg

MERCEDES G4-GV DOUBLE GEAR CLOSED TYPE PTO

COMPATIBLE VEHICLES

MERCEDES: 1117, 1120, 1222, 1324 L, 1417, 1422, 1425, 1520, 1619 C, 1620, 1622, 1625, 1628, 1820, 1922, 2028 LS, 2225, 2228, 2628, 2524, 2426 L, 2636, 1224, 1419, 1617, 1722, 1733, 1817, 1827, 2232, 2517, 2521, 2527, 3027, 1424, 1824, 1929, 1935, 1948, 2024, 2222, 2426, 2622, 2629, 2635

COMPATIBLE TRANSMISSIONS

G4/ 95-7/11 (EURO 2 + PMP), G4/110-6/9, G4/110-7/11 (6/9), G4/125-7/11 (6/9), G4/135-7/11 (6/9), G4/155-7/11 (6/9), G4/180-7/11 (6/9), G4/65-6/9, G4/65-7/11 (6/9), G4/90-7/11 (6/9), G4/95-6/9, G4/95-7/11 (6/9), GV4/ 95-6/9, GV4/1106/9, GV4/110-7/11 (6/9), GV4/125-7/11 (6/9), GV4/135-7/11 (6/9), GV4/155-7/11 (6/9), GV4/180-7/11 (6/9), GV4/65-7/11 (6/9), GV4/90-7/11 (6/9), GV4/95-7/11 (6/9)

SPECIFICATIONS

Product Code	55649610
Mounting Type	Rear
Control Type	Pneumatic
Rotation	Right [CW]
Weight	12.5 kg

MERCEDES ACTROS TYPE 1 PTO WITH CARDAN SHAFT

COMPATIBLE VEHICLES

MERCEDES: ACTROS: 1838 LS, 1844, 1850, 1935/45, 1948 S, 2038, 2435, 2427, 2544, 2550, 2638 S, 2644, 2650, 3235, 3238, 3535, 1843, 1848, 1856, 1857, 2548, 2553, 2557, 2643, 2648, 3443 K, 3348 K, 4140 K, 4143 K, 1729, 1735, 1827, 1834, 1838, 1929, 1935, 2429, 2527, 2531, 2534, 2629, 2631, 2635, 2638, 3229, 3234, 3535, 1831, 1835, 1840, 1934, 1938, 1953, 2044, 2050, 3031, 3331, 3335, 3340, 2031, 2040, 3548, 3553, 3557, 2641, 3244 AXOR: 2031, 2040, 2531, 2535, 2540, 1831, 1835, 1840, 2635 K, 2640 K, 3231, 3235, 3240, ATRON 2729 6X4 (BRASIL)

COMPATIBLE TRANSMISSIONS

G 125-9/16, G 135-16, G 155-16/11,9 (FINO A/UNTIL NR 206764), G 155-16/14,0 (FINO A/UNTIL NR 206764), G 155-9/16, G 180-16/11,9 (FINO A/UNTIL NR 206764), G 181-9, G 200-16/11,9 (FINO A/UNTIL NR 206764), G 210-16/14,2, G 221-9, G 240-16/11,7, G 255, G 260-16, G 260-16/9,75

SPECIFICATIONS

Product Code	55649607
Mounting Type	Rear
Control Type	Pneumatic
Rotation	Right [CW]
Weight	9.5 kg

MERCEDES ACTROS TYPE 1 PTO WITH CARDAN SHAFT (RETARDER)



COMPATIBLE VEHICLES

MERCEDES: ACTROS: 1838 LS, 1844, 1850, 1935/45, 1948 S, 2038, 2435, 2427, 2544, 2550, 2638 S, 2644, 2650, 3235, 3238, 3535, 1843, 1848, 1856, 1857, 2548, 2553, 2557, 2643, 2648, 3443 K, 3348 K, 4140 K, 4143 K, 1729, 1735, 1827, 1834, 1838, 1929, 1935, 2429, 2527, 2531, 2534, 2629, 2631, 2635, 2638, 3229, 3234, 3535, 1831, 1835, 1840, 1934, 1938, 1953, 2044, 2050, 3031, 3331, 3335, 3340, 2031, 2040, 3548, 3553, 3557, 2641, 3244 AXOR: 2031, 2040, 2531, 2535, 2540, 1831, 1835, 1840, 2635 K, 2640 K, 3231, 3235, 3240, ATRON 2729 6X4 (BRASIL)

COMPATIBLE TRANSMISSIONS

G 125-9/16, G 135-16, G 155-16/11,9 (FINO A/UNTIL NR 206764), G 155-16/14,0 (FINO A/UNTIL NR 206764), G 155-9/16, G 180-16/11,9 (FINO A/UNTIL NR 206764), G 181-9, G 200-16/11,9 (FINO A/UNTIL NR 206764), G 210-16/14,2, G 221-9, G 240-16/11,7, G 255, G 260-16, G 260-16/9,75

SPECIFICATIONS

Product Code	55649625
Mounting Type	Rear
Control Type	Pneumatic
Rotation	Right [CW]
Weight	10 kg

MERCEDES ACTROS SINGLE GEAR PTO WITH CARDAN SHAFT



COMPATIBLE VEHICLES

MERCEDES: ACTROS: 1838 LS, 1844, 1850, 1935/45, 1948 S, 2038, 2435, 2427, 2544, 2550, 2638 S, 2644, 2650, 3235, 3238, 3535, 1843, 1848, 1856, 1857, 2548, 2553, 2557, 2643, 2648, 3443 K, 3348 K, 4140 K, 4143 K, 1729, 1735, 1827, 1834, 1838, 1929, 1935, 2429, 2527, 2531, 2534, 2629, 2631, 2635, 2638, 3229, 3234, 3535, 1831, 1835, 1840, 1934, 1938, 1953, 2044, 2050, 3031, 3331, 3335, 3340, 2031, 2040, 3548, 3553, 3557, 2641, 3244 AXOR: 2031, 2040, 2531, 2535, 2540, 1831, 1835, 1840, 2635 K, 2640 K, 3231, 3235, 3240, ATRON 2729 6X4 (BRASIL)

COMPATIBLE TRANSMISSIONS

G 125-9/16, G 135-16, G 155-16/11,9 (FINO A/UNTIL NR 206764), G 155-16/14,0 (FINO A/UNTIL NR 206764), G 155-9/16, G 180-16/11,9 (FINO A/UNTIL NR 206764), G 181-9, G 200-16/11,9 (FINO A/UNTIL NR 206764), G 210-16/14,2, G 221-9, G 240-16/11,7, G 255, G 260-16, G 260-16/9,75

SPECIFICATIONS

Product Code	55649606
Mounting Type	Rear
Control Type	Pneumatic
Rotation	Right [CW]
Weight	10.5 kg

MERCEDES ACTROS SINGLE GEAR ALUMINIUM PTO WITH CARDAN SHAFT



COMPATIBLE VEHICLES

MERCEDES: ACTROS: 1838 LS, 1844, 1850, 1935/45, 1948 S, 2038, 2435, 2427, 2544, 2550, 2638 S, 2644, 2650, 3235, 3238, 3535, 1843, 1848, 1856, 1857, 2548, 2553, 2557, 2643, 2648, 3443 K, 3348 K, 4140 K, 4143 K, 1729, 1735, 1827, 1834, 1838, 1929, 1935, 2429, 2527, 2531, 2534, 2629, 2631, 2635, 2638, 3229, 3234, 3535, 1831, 1835, 1840, 1934, 1938, 1953, 2044, 2050, 3031, 3331, 3335, 3340, 2031, 2040, 3548, 3553, 3557, 2641, 3244 AXOR: 2031, 2040, 2531, 2535, 2540, 1831, 1835, 1840, 2635 K, 2640 K, 3231, 3235, 3240, ATRON 2729 6X4 (BRASIL)

COMPATIBLE TRANSMISSIONS

G 125-9/16, G 135-16, G 155-16/11,9 (FINO A/UNTIL NR 206764), G 155-16/14,0 (FINO A/UNTIL NR 206764), G 155-9/16, G 180-16/11,9 (FINO A/UNTIL NR 206764), G 181-9, G 200-16/11,9 (FINO A/UNTIL NR 206764), G 210-16/14,2, G 221-9, G 240-16/11,7, G 255, G 260-16, G 260-16/9,75

SPECIFICATIONS

Product Code	55649606A
Mounting Type	Rear
Control Type	Pneumatic
Rotation	Right [CW]
Weight	8 kg

POWER TAKE OFF

MERCEDES ACTROS OFFSET PTO WITH CARDAN SHAFT

COMPATIBLE VEHICLES

MERCEDES: ACTROS: 1838 LS, 1844, 1850, 1935/45, 1948 S, 2038, 2435, 2427, 2544, 2550, 2638 S, 2644, 2650, 3235, 3238, 3535, 1843, 1848, 1856, 1857, 2548, 2553, 2557, 2643, 2648, 3443 K, 3348 K, 4140 K, 4143 K, 1729, 1735, 1827, 1834, 1838, 1929, 1935, 2429, 2527, 2531, 2534, 2629, 2631, 2635, 2638, 3229, 3234, 3535, 1831, 1835, 1840, 1934, 1938, 1953, 2044, 2050, 3031, 3331, 3335, 3340, 2031, 2040, 3548, 3553, 3557, 2641, 3244 AXOR: 2031, 2040, 2531, 2535, 2540, 1831, 1835, 1840, 2635 K, 2640 K, 3231, 3235, 3240, ATRON 2729 6X4 (BRASIL)

COMPATIBLE TRANSMISSIONS

G 125-9/16, G 135-16, G 155-16/11,9 (FINO A/UNTIL NR 206764), G 155-16/14,0 (FINO A/UNTIL NR 206764), G 155-9/16, G 180-16/11,9 (FINO A/UNTIL NR 206764), G 181-9, G 200-16/11,9 (FINO A/UNTIL NR 206764), G 210-16/14,2, G 221-9, G 240-16/11,7, G 255, G 260-16, G 260-16/9,75

SPECIFICATIONS

Product Code	55649612
Mounting Type	Rear
Control Type	Pneumatic
Rotation	Left (CCW)
Weight	18.5 kg

MERCEDES ACTROS OFFSET ALUMINIUM PTO WITH CARDAN SHAFT

COMPATIBLE VEHICLES

MERCEDES: ACTROS: 1838 LS, 1844, 1850, 1935/45, 1948 S, 2038, 2435, 2427, 2544, 2550, 2638 S, 2644, 2650, 3235, 3238, 3535, 1843, 1848, 1856, 1857, 2548, 2553, 2557, 2643, 2648, 3443 K, 3348 K, 4140 K, 4143 K, 1729, 1735, 1827, 1834, 1838, 1929, 1935, 2429, 2527, 2531, 2534, 2629, 2631, 2635, 2638, 3229, 3234, 3535, 1831, 1835, 1840, 1934, 1938, 1953, 2044, 2050, 3031, 3331, 3335, 3340, 2031, 2040, 3548, 3553, 3557, 2641, 3244 AXOR: 2031, 2040, 2531, 2535, 2540, 1831, 1835, 1840, 2635 K, 2640 K, 3231, 3235, 3240, ATRON 2729 6X4 (BRASIL)

COMPATIBLE TRANSMISSIONS

G 125-9/16, G 135-16, G 155-16/11,9 (FINO A/UNTIL NR 206764), G 155-16/14,0 (FINO A/UNTIL NR 206764), G 155-9/16, G 180-16/11,9 (FINO A/UNTIL NR 206764), G 181-9, G 200-16/11,9 (FINO A/UNTIL NR 206764), G 210-16/14,2, G 221-9, G 240-16/11,7, G 255, G 260-16, G 260-16/9,75

SPECIFICATIONS

Product Code	55649612A
Mounting Type	Rear
Control Type	Pneumatic
Rotation	Left (CCW)
Weight	11 kg

MERCEDES ACTROS SINGLE GEAR PTO WITH CARDAN SHAFT (RETARDER)

COMPATIBLE VEHICLES

MERCEDES: ACTROS: 1838 LS, 1844, 1850, 1935/45, 1948 S, 2038, 2435, 2427, 2544, 2550, 2638 S, 2644, 2650, 3235, 3238, 3535, 1843, 1848, 1856, 1857, 2548, 2553, 2557, 2643, 2648, 3443 K, 3348 K, 4140 K, 4143 K, 1729, 1735, 1827, 1834, 1838, 1929, 1935, 2429, 2527, 2531, 2534, 2629, 2631, 2635, 2638, 3229, 3234, 3535, 1831, 1835, 1840, 1934, 1938, 1953, 2044, 2050, 3031, 3331, 3335, 3340, 2031, 2040, 3548, 3553, 3557, 2641, 3244 AXOR: 2031, 2040, 2531, 2535, 2540, 1831, 1835, 1840, 2635 K, 2640 K, 3231, 3235, 3240, ATRON 2729 6X4 (BRASIL)

COMPATIBLE TRANSMISSIONS

G 125-9/16, G 135-16, G 155-16/11,9 (FINO A/UNTIL NR 206764), G 155-16/14,0 (FINO A/UNTIL NR 206764), G 155-9/16, G 180-16/11,9 (FINO A/UNTIL NR 206764), G 181-9, G 200-16/11,9 (FINO A/UNTIL NR 206764), G 210-16/14,2, G 221-9, G 240-16/11,7, G 255, G 260-16, G 260-16/9,75

SPECIFICATIONS

Product Code	55649603
Mounting Type	Rear
Control Type	Pneumatic
Rotation	Right (CW)
Weight	10.5 kg

MERCEDES ACTROS SINGLE GEAR ALUMINIUM PTO WITH CARDAN SHAFT (RETARDER)



COMPATIBLE VEHICLES

MERCEDES: ACTROS: 1838 LS, 1844, 1850, 1935/45, 1948 S, 2038, 2435, 2427, 2544, 2550, 2638 S, 2644, 2650, 3235, 3238, 3535, 1843, 1848, 1856, 1857, 2548, 2553, 2557, 2643, 2648, 3443 K, 3348 K, 4140 K, 4143 K, 1729, 1735, 1827, 1834, 1838, 1929, 1935, 2429, 2527, 2531, 2534, 2629, 2631, 2635, 2638, 3229, 3234, 3535, 1831, 1835, 1840, 1934, 1938, 1953, 2044, 2050, 3031, 3331, 3335, 3340, 2031, 2040, 3548, 3553, 3557, 2641, 3244 AXOR: 2031, 2040, 2531, 2535, 2540, 1831, 1835, 1840, 2635 K, 2640 K, 3231, 3235, 3240, ATRON 2729 6X4 (BRASIL)

COMPATIBLE TRANSMISSIONS

G 125-9/16, G 135-16, G 155-16/11,9 (FINO A/UNTIL NR 206764), G 155-16/14,0 (FINO A/UNTIL NR 206764), G 155-9/16, G 180-16/11,9 (FINO A/UNTIL NR 206764), G 181-9, G 200-16/11,9 (FINO A/UNTIL NR 206764), G 210-16/14,2, G 221-9, G 240-16/11,7, G 255, G 260-16, G 260-16/9,75

SPECIFICATIONS

Product Code	55649603A
Mounting Type	Rear
Control Type	Pneumatic
Rotation	Right (CW)
Weight	8 kg

MERCEDES ACTROS OFFSET PTO WITH CARDAN SHAFT (RETARDER)



COMPATIBLE VEHICLES

MERCEDES: ACTROS: 1838 LS, 1844, 1850, 1935/45, 1948 S, 2038, 2435, 2427, 2544, 2550, 2638 S, 2644, 2650, 3235, 3238, 3535, 1843, 1848, 1856, 1857, 2548, 2553, 2557, 2643, 2648, 3443 K, 3348 K, 4140 K, 4143 K, 1729, 1735, 1827, 1834, 1838, 1929, 1935, 2429, 2527, 2531, 2534, 2629, 2631, 2635, 2638, 3229, 3234, 3535, 1831, 1835, 1840, 1934, 1938, 1953, 2044, 2050, 3031, 3331, 3335, 3340, 2031, 2040, 3548, 3553, 3557, 2641, 3244 AXOR: 2031, 2040, 2531, 2535, 2540, 1831, 1835, 1840, 2635 K, 2640 K, 3231, 3235, 3240, ATRON 2729 6X4 (BRASIL)

COMPATIBLE TRANSMISSIONS

G 125-9/16, G 135-16, G 155-16/11,9 (FINO A/UNTIL NR 206764), G 155-16/14,0 (FINO A/UNTIL NR 206764), G 155-9/16, G 180-16/11,9 (FINO A/UNTIL NR 206764), G 181-9, G 200-16/11,9 (FINO A/UNTIL NR 206764), G 210-16/14,2, G 221-9, G 240-16/11,7, G 255, G 260-16, G 260-16/9,75

SPECIFICATIONS

Product Code	55649613
Mounting Type	Rear
Control Type	Pneumatic
Rotation	Left (CCW)
Weight	18.5 kg

MERCEDES ACTROS OFFSET ALUMINIUM PTO WITH CARDAN SHAFT (REARTRDER)



COMPATIBLE VEHICLES

MERCEDES: ACTROS: 1838 LS, 1844, 1850, 1935/45, 1948 S, 2038, 2435, 2427, 2544, 2550, 2638 S, 2644, 2650, 3235, 3238, 3535, 1843, 1848, 1856, 1857, 2548, 2553, 2557, 2643, 2648, 3443 K, 3348 K, 4140 K, 4143 K, 1729, 1735, 1827, 1834, 1838, 1929, 1935, 2429, 2527, 2531, 2534, 2629, 2631, 2635, 2638, 3229, 3234, 3535, 1831, 1835, 1840, 1934, 1938, 1953, 2044, 2050, 3031, 3331, 3335, 3340, 2031, 2040, 3548, 3553, 3557, 2641, 3244 AXOR: 2031, 2040, 2531, 2535, 2540, 1831, 1835, 1840, 2635 K, 2640 K, 3231, 3235, 3240, ATRON 2729 6X4 (BRASIL)

COMPATIBLE TRANSMISSIONS

G 125-9/16, G 135-16, G 155-16/11,9 (FINO A/UNTIL NR 206764), G 155-16/14,0 (FINO A/UNTIL NR 206764), G 155-9/16, G 180-16/11,9 (FINO A/UNTIL NR 206764), G 181-9, G 200-16/11,9 (FINO A/UNTIL NR 206764), G 210-16/14,2, G 221-9, G 240-16/11,7, G 255, G 260-16, G 260-16/9,75

SPECIFICATIONS

Product Code	55649613A
Mounting Type	Rear
Control Type	Pneumatic
Rotation	Left (CCW)
Weight	11 kg

POWER TAKE OFF

MERCEDES AXOR G100 PTO**COMPATIBLE VEHICLES**

MERCEDES: ATEGO: 1223, 1523, 1828, 2523L, 2528L, 2628K, 1323, 1328, AXOR: 1528, 1823, 1828, 1924, 2523, 2528, 2623, 2628, 2832, 3224, 3228

COMPATIBLE TRANSMISSIONS

G 100-12/10

SPECIFICATIONS

Product Code	55649602
Mounting Type	Rear
Control Type	Pneumatic
Rotation	Right [CW]
Weight	8.5 kg

MERCEDES G281 SINGLE GEAR PTO WITH CARDAN SHAFT**COMPATIBLE VEHICLES**

G 281-12

COMPATIBLE TRANSMISSIONS

MERCEDES

SPECIFICATIONS

Product Code	55649626
Mounting Type	Rear
Control Type	Pneumatic
Rotation	Right [CW]
Weight	10.5 kg

MERCEDES G281 SINGLE GEAR ALUMINIUM PTO WITH CARDAN SHAFT**COMPATIBLE VEHICLES**

G 281-12

COMPATIBLE TRANSMISSIONS

MERCEDES

SPECIFICATIONS

Product Code	55649626A
Mounting Type	Rear
Control Type	Pneumatic
Rotation	Right [CW]
Weight	8 kg

MERCEDES G281 OFFSET PTO WITH CARDAN SHAFT



COMPATIBLE VEHICLES

G 281-12

COMPATIBLE TRANSMISSIONS

MERCEDES

SPECIFICATIONS

Product Code	55649627
Mounting Type	Rear
Control Type	Pneumatic
Rotation	Left (CCW)
Weight	18.5 kg

MERCEDES G281 OFFSET ALUMINIUM PTO WITH CARDAN SHAFT



COMPATIBLE VEHICLES

MERCEDES G281 OFFSET ALUMINIUM PTO WITH CARDAN SHAFT

COMPATIBLE TRANSMISSIONS

G 281-12

SPECIFICATIONS

Product Code	55649627A
Mounting Type	Rear
Control Type	Pneumatic
Rotation	Left (CCW)
Weight	11 kg

MERCEDES G281 SINGLE GEAR PTO WITH CARDAN SHAFT (RETARDER)



COMPATIBLE VEHICLES

G 281-12

COMPATIBLE TRANSMISSIONS

MERCEDES

SPECIFICATIONS

Product Code	55649628
Mounting Type	Rear
Control Type	Pneumatic
Rotation	Right (CW)
Weight	10.5 kg

POWER TAKE OFF

MERCEDES G281 SINGLE GEAR ALUMINIUM PTO WITH CARDAN SHAFT (RETARDER)



COMPATIBLE VEHICLES

G 281-12

COMPATIBLE TRANSMISSIONS

MERCEDES

SPECIFICATIONS

Product Code	55649628A
Mounting Type	Rear
Control Type	Pneumatic
Rotation	Right (CW)
Weight	8 kg

MERCEDES G281 OFFSET PTO WITH CARDAN SHAFT (RETARDER)



COMPATIBLE VEHICLES

G 281-12

COMPATIBLE TRANSMISSIONS

MERCEDES

SPECIFICATIONS

Product Code	55649629
Mounting Type	Left Side
Control Type	Pneumatic
Rotation	Left (CCW)
Weight	18.5 kg

MERCEDES G281 OFFSET ALUMINIUM PTO WITH CARDAN SHAFT (RETARDER)



COMPATIBLE VEHICLES

G 281-12

COMPATIBLE TRANSMISSIONS

MERCEDES

SPECIFICATIONS

Product Code	55649629A
Mounting Type	Left Side
Control Type	Mechanic
Rotation	Left (CCW)
Weight	11 kg

MERCEDES ATEGO G60 - 6 / G 85 - 6 SINGLE GEAR PTO



COMPATIBLE VEHICLES

614-814-815-817-818-823-925-1017-1328-1215-1217-1223- 1225 1317 -1323
-1328 -1517 -1523 -1618 -1623 -1823 ATEGO

COMPATIBLE TRANSMISSIONS

G 60-6/9,2, G 60-6/9,2 , G 606/9,2 (GC5), G 85-6/6,70 (GC6)

SPECIFICATIONS

Product Code	55649614
Mounting Type	Rear
Control Type	Pneumatic
Rotation	Right (CW)
Weight	8,2 kg

MERCEDES ATEGO G60 - 6 / G 85 - 6 DOUBLE GEAR ISO PTO



COMPATIBLE VEHICLES

614-814-815-817-818-823-925-1017-1328-1215-1217-1223- 1225 1317 -1323
-1328 -1517 -1523 -1618 -1623 -1823 ATEGO

COMPATIBLE TRANSMISSIONS

G 60-6/9,2, G 60-6/9,2 , G 606/9,2 (GC5), G 85-6/6,70 (GC6)

SPECIFICATIONS

Product Code	55649615
Mounting Type	Rear
Control Type	Pneumatic
Rotation	Left (CCW)
Weight	15 kg

MERCEDES ATEGO G56 - 6 SINGLE GEAR PTO



COMPATIBLE VEHICLES

614-814-815-817-818-823-925-1017-1328-1215-1217-1223-1225 -1317 -1323
-1328 -1517 -1523 -1618 -1623 -1823 ATEGO

COMPATIBLE TRANSMISSIONS

G 56-6/6,291

SPECIFICATIONS

Product Code	55649617
Mounting Type	Rear
Control Type	Pneumatic
Rotation	Right (CW)
Weight	8,2 kg

POWER TAKE OFF

MERCEDES ATEGO G56 - 6 DOUBLE GEAR ISO PTO

COMPATIBLE VEHICLES

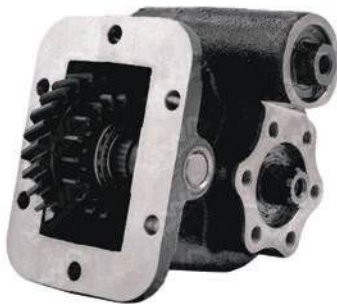
614-814-815-817-818-823-925-1017-1328-1215-1217-1223-1225 -1317 -1323
-1328 -1517 -1523 -1618 -1623 -1823 ATEGO

COMPATIBLE TRANSMISSIONS

G 56-6/6,291

SPECIFICATIONS

Product Code	55649618
Mounting Type	Rear
Control Type	Pneumatic
Rotation	Left (CCW)
Weight	15.5 kg

MERCEDES G2 / 24 PNEUMATIC CONTROL PTO

COMPATIBLE VEHICLES

307 -309 -328 -508 -608 DE -610 -708 -709 -L0608 -L0708 MERCEDES BENZ

COMPATIBLE TRANSMISSIONS

G2/24 [5/6, 71-5/7,31]

SPECIFICATIONS

Product Code	55649620
Mounting Type	Left Side
Control Type	Pneumatic
Rotation	Right (CW)
Weight	11 kg

MERCEDES G2 / 24 MECHANICAL CONTROL PTO

COMPATIBLE VEHICLES

307 -309 -328 -508 -608 DE -610 -708 -709 -L0608 -L0708 MERCEDES BENZ

COMPATIBLE TRANSMISSIONS

G2/24 [5/6, 71-5/7,31]

SPECIFICATIONS

Product Code	55649621
Mounting Type	Left Side
Control Type	Mechanic
Rotation	Right (CW)
Weight	11 kg

MERCEDES G3 / 32 SINGLE GEAR PTO



COMPATIBLE VEHICLES

MERCEDES: 814 K, L 911 B, 914, 817 S, LP 913, LP 1013 B, 1017, 1114, 1213, 1217, LP 1216, L 1313, 1314, L 1317, 1319, L 1519, 1619, 1617, 315, 352, 362, 383, 609, 710, 712, 809, 812, 814, 1113, 1338, 1618

COMPATIBLE TRANSMISSIONS

G3/32-5, G3/36-5, G3/40-5, G3/45-5, G3/50-5/8,5, G3/55-5, G3/60-5/6,106, G3/60-5/7,508, G3/61-5

SPECIFICATIONS

Product Code	55649601
Mounting Type	Rear
Control Type	Pneumatic
Rotation	Right [CW]
Weight	5.8 kg

MERCEDES G3 / 32 DOUBLE GEAR ISO PTO



COMPATIBLE VEHICLES

MERCEDES: 814 K, L 911 B, 914, 817 S, LP 913, LP 1013 B, 1017, 1114, 1213, 1217, LP 1216, L 1313, 1314, L 1317, 1319, L 1519, 1619, 1617, 315, 352, 362, 383, 609, 710, 712, 809, 812, 814, 1113, 1338, 1618

COMPATIBLE TRANSMISSIONS

G3/32-5, G3/36-5, G3/40-5, G3/45-5, G3/50-5/8,5, G3/55-5, G3/60-5/6,106, G3/60-5/7,508, G3/61-5

SPECIFICATIONS

Product Code	55649623
Mounting Type	Rear
Control Type	Pneumatic
Rotation	Left [CCW]
Weight	13.5 kg

MERCEDES UNIMOG PTO



COMPATIBLE VEHICLES

1217 -1219 -1413 -1419 -1422 -1613 -1619 -1922K -2024 -2067 MERCEDES -BENZ/ UNIMOG -BENZ

COMPATIBLE TRANSMISSIONS

G3/65-8, G3/65-8/9,29 GP, G3/65-9/13,36 GP, G3/65-9/13,36 GPA, G3/90-8/9, 29 GP

SPECIFICATIONS

Product Code	55649624
Mounting Type	Rear
Control Type	Pneumatic
Rotation	Left [CCW]
Weight	8.5 kg

POWER TAKE OFF

ISUZU MSB 5S - 5M - 5G / MOA 89 PNEUMATIC CONTROL PTO



COMPATIBLE VEHICLES

ISUZU: NKR 552, NKR 555, NKR 557, NKR 572, NKR 573, NPR 69 G, NPR 69 L, NKR 55 L, TLD 23, TLD 43, TLD 53, TLD 63, TLD 24, TLD 26, TLD 34, TLD 44, TLD 54, TLD 56, TLD 46, TLD 66, NKR 2.8, NKR 55 LOW FOTON: 1039, 1049

COMPATIBLE TRANSMISSIONS

JC521T5H, MOA 89/5,016, MSB 5G/5, 016, MSB 5M/5,037, MSB 5N/5,016, MSB 5P/5,037, MSB 5R/5,037, MSB 5S/5,016

SPECIFICATIONS

Product Code	55958606
Mounting Type	Left Side
Control Type	Pneumatic
Rotation	Right(CW)
Weight	11 kg

ISUZU MSB 5S - 5M - 5G / MOA 89 VACUUM CONTROL PTO



COMPATIBLE VEHICLES

ISUZU: NKR 552, NKR 555, NKR 557, NKR 572, NKR 573, NPR 69 G, NPR 69 L, NKR 55 L, TLD 23, TLD 43, TLD 53, TLD 63, TLD 24, TLD 26, TLD 34, TLD 44, TLD 54, TLD 56, TLD 46, TLD 66, NKR 2.8, NKR 55 LOW FOTON: 1039, 1049

COMPATIBLE TRANSMISSIONS

JC521T5H, MOA 89/5,016, MSB 5G/5, 016, MSB 5M/5,037, MSB 5N/5,016, MSB 5P/5,037, MSB 5R/5,037, MSB 5S/5,016

SPECIFICATIONS

Product Code	55958607
Mounting Type	Left Side
Control Type	Vacuum
Rotation	Right(CW)
Weight	11 kg

ISUZU MSB 5S - 5M - 5G / MOA 89 MECHANICAL CONTROL PTO



COMPATIBLE VEHICLES

ISUZU: NKR 552, NKR 555, NKR 557, NKR 572, NKR 573, NPR 69 G, NPR 69 L, NKR 55 L, TLD 23, TLD 43, TLD 53, TLD 63, TLD 24, TLD 26, TLD 34, TLD 44, TLD 54, TLD 56, TLD 46, TLD 66, NKR 2.8, NKR 55 LOW FOTON: 1039, 1049

COMPATIBLE TRANSMISSIONS

JC521T5H, MOA 89/5,016, MSB 5G/5, 016, MSB 5M/5,037, MSB 5N/5,016, MSB 5P/5,037, MSB 5R/5,037, MSB 5S/5,016

SPECIFICATIONS

Product Code	55958608
Mounting Type	Left Side
Control Type	Mechanic
Rotation	Right(CW)
Weight	11.5 kg

ISUZU MSA 5P - 5G - 5D / SMA SP PNEUMATIC CONTROL PTO



COMPATIBLE VEHICLES

ISUZU: MPR 58 P, MPR 59 P, NPR 58 P, NPR 59 P, NKR WIDE KS11 (DIESEL), NKR WIDE KS20 (DIESEL), NKR WIDE KS21 (DIESEL), NKR WIDE KS32 (DIESEL), NKR 55L, NKR 58E, NPR 3.6, NPR 3.9 JAC: 1035, 1063

COMPATIBLE TRANSMISSIONS

LC 5T 30/5,788, MSA 5D/5,788, MSA 5G/5,788, MSA 5P/5,788, MSA SP, SMA SP

SPECIFICATIONS

Product Code	55958610
Mounting Type	Left Side
Control Type	Pneumatic
Rotation	Right(CW)
Weight	11 kg

ISUZU MSA 5P - 5G - 5D / SMA SP VACUUM CONTROL PTO



COMPATIBLE VEHICLES

ISUZU: MPR 58 P, MPR 59 P, NPR 58 P, NPR 59 P, NKR WIDE KS11 (DIESEL), NKR WIDE KS20 (DIESEL), NKR WIDE KS21 (DIESEL), NKR WIDE KS32 (DIESEL), NKR 55L, NKR 58E, NPR 3.6, NPR 3.9 JAC: 1035, 1063

COMPATIBLE TRANSMISSIONS

LC 5T 30/5,788, MSA 5D/5,788, MSA 5G/5,788, MSA 5P/5,788, MSA SP, SMA SP

SPECIFICATIONS

Product Code	55958611
Mounting Type	Left Side
Control Type	Vacuum
Rotation	Right(CW)
Weight	11 kg

ISUZU MSA 5P - 5G - 5D / SMA SP MECHANICAL CONTROL PTO



COMPATIBLE VEHICLES

ISUZU: MPR 58 P, MPR 59 P, NPR 58 P, NPR 59 P, NKR WIDE KS11 (DIESEL), NKR WIDE KS20 (DIESEL), NKR WIDE KS21 (DIESEL), NKR WIDE KS32 (DIESEL), NKR 55L, NKR 58E, NPR 3.6, NPR 3.9 JAC: 1035, 1063

COMPATIBLE TRANSMISSIONS

LC 5T 30/5,788, MSA 5D/5,788, MSA 5G/5,788, MSA 5P/5,788, MSA SP, SMA SP

SPECIFICATIONS

Product Code	55958601
Mounting Type	Left Side
Control Type	Mechanic
Rotation	Right(CW)
Weight	11.5 kg

POWER TAKE OFF

ISUZU MXA 5R - 5S / MSA 5D - 5S PNEUMATIC CONTROL PTO



COMPATIBLE VEHICLES

ISUZU: NKR 77, NPR 65, NPR 65 L, NPR 65 P, NKR WIDE LX 100 HP, CHAMPION NPR 4.3, CHAMPION NPR 3.2, NPR 66, NPR 300, NPR 400, NPR 400S, FRR 500

COMPATIBLE TRANSMISSIONS

MSA 5C/5,670, MSA 5D/5,670, MSA 5G/5,788, MSA 5S/5,670, MSA 6R/5,670, MXA 5C, MXA 5D, MXA 5R/4,987, MXA 5S/5,670, MXA 6R

SPECIFICATIONS

Product Code	55958613
Mounting Type	Left Side
Control Type	Pneumatic
Rotation	Right(CW)
Weight	11 kg

ISUZU MXA 5R - 5S / MSA 5D - 5S VACUUM CONTROL PTO



COMPATIBLE VEHICLES

ISUZU: NKR 77, NPR 65, NPR 65 L, NPR 65 P, NKR WIDE LX 100 HP, CHAMPION NPR 4.3, CHAMPION NPR 3.2, NPR 66, NPR 300, NPR 400, NPR 400S, FRR 500

COMPATIBLE TRANSMISSIONS

MSA 5C/5,670, MSA 5D/5,670, MSA 5G/5,788, MSA 5S/5,670, MSA 6R/5,670, MXA 5C, MXA 5D, MXA 5R/4,987, MXA 5S/5,670, MXA 6R

SPECIFICATIONS

Product Code	55958614
Mounting Type	Left Side
Control Type	Vacuum
Rotation	Right(CW)
Weight	11 kg

ISUZU MXA 5R - 5S / MSA 5D - 5S MECHANICAL CONTROL PTO



COMPATIBLE VEHICLES

ISUZU: NKR 77, NPR 65, NPR 65 L, NPR 65 P, NKR WIDE LX 100 HP, CHAMPION NPR 4.3, CHAMPION NPR 3.2, NPR 66, NPR 300, NPR 400, NPR 400S, FRR 500

COMPATIBLE TRANSMISSIONS

MSA 5C/5,670, MSA 5D/5,670, MSA 5G/5,788, MSA 5S/5,670, MSA 6R/5,670, MXA 5C, MXA 5D, MXA 5R/4,987, MXA 5S/5,670, MXA 6R

SPECIFICATIONS

Product Code	55958602
Mounting Type	Left Side
Control Type	Mechanic
Rotation	Right(CW)
Weight	11.5 kg

ISUZU MOY9F / HINO 300 PNEUMATIC CONTROL PTO



COMPATIBLE VEHICLES

ISUZU: L 35 EVOLUTION 4X4, NPR 200, NPR 250/300, NPR 400, NPR 250/400, NPR 85 G/L (6 TOM.), NPS 450 4X4, NPS 4X4, NQR Q75 SMOOTHER, NPR 66L, NPR 70, NPR 66P, NPR 75 LONG, NPR 8 LONG, NKR 250, NKR 66E, NQR 71PL, NQR 71R, NQR 71 PL, NPR 8, N10, NNR LONG HINO: 300, DUTRO WU 340

COMPATIBLE TRANSMISSIONS

MOY 4N, MOY 9F, MOY 9H, MOY MC, MOY MR, MOY NB, MOY NC, MOY PN, MOYCR, MOYGX, MOYMB, MOYMC, MOYMR, MOYNA, MYY 5A/5,315, MYY 5D, MYY 5R/5,315, MYY 5S, MYY 5S-(ISUZU 4X4), MYY 5T/5,315, MYY 6P/5,979, MYY 6P/5,990, MYY 6P/5,991, MYY 6P/5,992, MYY 6P/5, 993, MYY 6P/5,994, MYY 6S, MYY 6S/5,979

SPECIFICATIONS

Product Code	55958616
Mounting Type	Left Side
Control Type	Pneumatic
Rotation	Right[CW]
Weight	11 kg

ISUZU MOY9F / HINO 300 VACUUM CONTROL PTO



COMPATIBLE VEHICLES

ISUZU: L 35 EVOLUTION 4X4, NPR 200, NPR 250/300, NPR 400, NPR 250/400, NPR 85 G/L (6 TOM.), NPS 450 4X4, NPS 4X4, NQR Q75 SMOOTHER, NPR 66L, NPR 70, NPR 66P, NPR 75 LONG, NPR 8 LONG, NKR 250, NKR 66E, NQR 71PL, NQR 71R, NQR 71 PL, NPR 8, N10, NNR LONG HINO: 300, DUTRO WU 340

COMPATIBLE TRANSMISSIONS

MOY 4N, MOY 9F, MOY 9H, MOY MC, MOY MR, MOY NB, MOY NC, MOY PN, MOYCR, MOYGX, MOYMB, MOYMC, MOYMR, MOYNA, MYY 5A/5,315, MYY 5D, MYY 5R/5,315, MYY 5S, MYY 5S-(ISUZU 4X4), MYY 5T/5,315, MYY 6P/5,979, MYY 6P/5,990, MYY 6P/5,991, MYY 6P/5,992, MYY 6P/5, 993, MYY 6P/5,994, MYY 6S, MYY 6S/5,979

SPECIFICATIONS

Product Code	55958617
Mounting Type	Left Side
Control Type	Vacuum
Rotation	Right[CW]
Weight	11 kg

ISUZU MOY9F / HINO 300 MECHANICAL CONTROL PTO



COMPATIBLE VEHICLES

ISUZU: L 35 EVOLUTION 4X4, NPR 200, NPR 250/300, NPR 400, NPR 250/400, NPR 85 G/L (6 TOM.), NPS 450 4X4, NPS 4X4, NQR Q75 SMOOTHER, NPR 66L, NPR 70, NPR 66P, NPR 75 LONG, NPR 8 LONG, NKR 250, NKR 66E, NQR 71PL, NQR 71R, NQR 71 PL, NPR 8, N10, NNR LONG HINO: 300, DUTRO WU 340

COMPATIBLE TRANSMISSIONS

MOY 4N, MOY 9F, MOY 9H, MOY MC, MOY MR, MOY NB, MOY NC, MOY PN, MOYCR, MOYGX, MOYMB, MOYMC, MOYMR, MOYNA, MYY 5A/5,315, MYY 5D, MYY 5R/5,315, MYY 5S, MYY 5S-(ISUZU 4X4), MYY 5T/5,315, MYY 6P/5,979, MYY 6P/5,990, MYY 6P/5,991, MYY 6P/5,992, MYY 6P/5, 993, MYY 6P/5,994, MYY 6S, MYY 6S/5,979

SPECIFICATIONS

Product Code	55958603
Mounting Type	Left Side
Control Type	Mechanic
Rotation	Right[CW]
Weight	11.5 kg

ISUZU MOZ - 79 PNEUMATIC CONTROL PTO



COMPATIBLE VEHICLES

ISUZU: NPR LONG 3D, NPR 10, NPR 10 LONG, NPR HP, NPR 8 HP

COMPATIBLE TRANSMISSIONS

MOZ-79, MZZ6F

SPECIFICATIONS

Product Code	55958621
Mounting Type	Left Side
Control Type	Pneumatic
Rotation	Right(CW)
Weight	13.8 kg

ISUZU MOZ - 79 VACUUM CONTROL PTO



COMPATIBLE VEHICLES

ISUZU: NPR LONG 3D, NPR 10, NPR 10 LONG, NPR HP, NPR 8 HP

COMPATIBLE TRANSMISSIONS

MOZ-79, MZZ6F

SPECIFICATIONS

Product Code	55958634
Mounting Type	Left Side
Control Type	Vacuum
Rotation	Right(CW)
Weight	13.8 kg

ISUZU MOZ-79 MECHANICAL CONTROL PTO



COMPATIBLE VEHICLES

ISUZU: NPR LONG 3D, NPR 10, NPR 10 LONG, NPR HP, NPR 8 HP

COMPATIBLE TRANSMISSIONS

MOZ-79, MZZ6F

SPECIFICATIONS

Product Code	55958620
Mounting Type	Left Side
Control Type	Mechanic
Rotation	Right(CW)
Weight	13.8 kg

ISUZU MBP 6P / MBF 5C / MBG 6P 6Q PNEUMATIC CONTROL PTO



COMPATIBLE VEHICLES

NQR 4.8 TURBO ISUZU / NQR 70 P / FSR / LM524 / FSR 33L / FRR 33H / FTS 33H
7 FSS 33 / EXZ52 / FRR 33L

COMPATIBLE TRANSMISSIONS

MBD 5A, MBD 5B, MBD 5C, MBD 6P, MBF 5C, MBG 5B, MBG 5C, MBG 5F, MBG
5H, MBG 5R, MBG 6P, MBG 6Q, MBG 6R, MBJ 5J, MBJ 6T, MBP 6A, MBP 6P, MBP
6Q/6,378, MBP 6R/6,378

SPECIFICATIONS

Product Code	55958623
Mounting Type	Left Side
Control Type	Pneumatic
Rotation	Right[CW]
Weight	13.8 kg

ISUZU MBP 6P / MBF 5C / MBG 6P 6Q VACUUM CONTROL PTO



COMPATIBLE VEHICLES

NQR 4.8 TURBO ISUZU / NQR 70 P / FSR / LSM524 / FSR 33L / FRR 33H / FTS
33H 7 FSS 33 / EXZ52 / FRR 33L

COMPATIBLE TRANSMISSIONS

MBD 5A, MBD 5B, MBD 5C, MBD 6P, MBF 5C, MBG 5B, MBG 5C, MBG 5F, MBG
5H, MBG 5R, MBG 6P, MBG 6Q, MBG 6R, MBJ 5J, MBJ 6T, MBP 6A, MBP 6P, MBP
6Q/6,378, MBP 6R/6,378

SPECIFICATIONS

Product Code	55958635
Mounting Type	Left Side
Control Type	Vacuum
Rotation	Right[CW]
Weight	13.8 kg

ISUZU MBP 6P / MBF 5C / MBG 6P 6Q MECHANICAL CONTROL PTO



COMPATIBLE VEHICLES

NQR 4.8 TURBO ISUZU / NQR 70 P / FSR / LM524 / FSR 33L / FRR 33H / FTS 33H
7 FSS 33 / EXZ52 / FRR 33L

COMPATIBLE TRANSMISSIONS

MBD 5A, MBD 5B, MBD 5C, MBD 6P, MBF 5C, MBG 5B, MBG 5C, MBG 5F, MBG
5H, MBG 5R, MBG 6P, MBG 6Q, MBG 6R, MBJ 5J, MBJ 6T, MBP 6A, MBP 6P, MBP
6Q/6,378, MBP 6R/6,378

SPECIFICATIONS

Product Code	55958622
Mounting Type	Left Side
Control Type	Mechanic
Rotation	Right[CW]
Weight	14 kg

ISUZU MOZ06 / MZZ6U / MZZ6W PNEUMATIC CONTROL PTO



COMPATIBLE VEHICLES

NQR 4.8 3D TURBO ISUZU(2005) / NQR 71 PL / 5.2 ISUZU / NQR 75L

COMPATIBLE TRANSMISSIONS

MOZ 06, MZZ 5D, MZZ 6C, MZZ 6F, MZZ 6F/6,369, MZZ 6P, MZZ 6R, MZZ 6S, MZZ 6U, MZZ 6W

SPECIFICATIONS

Product Code	55958625
Mounting Type	Left Side
Control Type	Pneumatic
Rotation	Right(CW)
Weight	13.8 kg

ISUZU MOZ06 / MZZ6U / MZZ6W VACUUM CONTROL PTO



COMPATIBLE VEHICLES

ISUZU: NQR 450, NQR 75.3, NQR 4.8 3D TURBO, NQR 71 PL, NQR 75L

COMPATIBLE TRANSMISSIONS

MOZ 06, MZZ 5D, MZZ 6C, MZZ 6F, MZZ 6F/6,369, MZZ 6P, MZZ 6R, MZZ 6S, MZZ 6U, MZZ 6W

SPECIFICATIONS

Product Code	55958636
Mounting Type	Left Side
Control Type	Vacuum
Rotation	Right(CW)
Weight	13.8 kg

ISUZU MOZ06 / MZZ6U / MZZ6W MECHANICAL CONTROL PTO



COMPATIBLE VEHICLES

ISUZU: NQR 450, NQR 75.3, NQR 4.8 3D TURBO, NQR 71 PL, NQR 75L

COMPATIBLE TRANSMISSIONS

MOZ 06, MZZ 5D, MZZ 6C, MZZ 6F, MZZ 6F/6,369, MZZ 6P, MZZ 6R, MZZ 6S, MZZ 6U, MZZ 6W

SPECIFICATIONS

Product Code	55958624
Mounting Type	Left Side
Control Type	Mechanic
Rotation	Right(CW)
Weight	14 kg

ISUZU MJX 16P (14.013) SIDE MOUNTED PNEUMATIC CONTROL PTO



COMPATIBLE VEHICLES

ISUZU: EXZ 52, EXR 51 EL, EXY 30, CY J460, CY J530

COMPATIBLE TRANSMISSIONS

MJX - 16P (14,013)

SPECIFICATIONS

Product Code	55958605
Mounting Type	Side
Control Type	Pneumatic
Rotation	Right(CW)
Weight	25 kg

ISUZU MZW 6P PNEUMATIC CONTROL ISO PTO



COMPATIBLE VEHICLES

ISUZU: FSR 800, FSR 750, FTR 850, FTS 750 4X4, FSR 800 AMT, FSR 750 CRW, FTR 850 AMT, FVR 34UL, TORA, TORA LONG

COMPATIBLE TRANSMISSIONS

MW02K (6,615), MZW6P

SPECIFICATIONS

Product Code	55958640
Mounting Type	Left Side
Control Type	Pneumatic
Rotation	Right (CW)
Weight	21 kg

ISUZU MLD 6A / MLD 7R SIDE MOUNTED PNEUMATIC CONTROL PTO



COMPATIBLE VEHICLES

ISUZU: F12.240, F9.210, F10.210, F11.210, 4.8 FTR, FTR 33P, FTR 33K, FVR 5FF, FSR 33L, FVR 33P

COMPATIBLE TRANSMISSIONS

MLD 6A, MLD 6Q, MLD 6S, MLD 6W

SPECIFICATIONS

Product Code	55958644
Mounting Type	Left Side
Control Type	Pneumatic
Rotation	Right
Weight	16 kg

MITSUBISHI - HYUNDAI M1S5 - M2S5 - M3S5 PNEUMATIC CONTROL PTO



COMPATIBLE VEHICLES

MITSUBISHI: CANTER 60 KIPPER, CANTER 60 TURBO, CANTER FB 35 D, COLT FE 114 (DIESEL), FE 434, FC 432, FC 300, FC 312, FC 332, FE 311, FE 334, FE 331, FE 444, FE 35, FE 114, FE 211, FE 444 EX, CANTER 444, CANTER 449 HYUNDAI: HD 65, HD 72, HD 50, HD 77

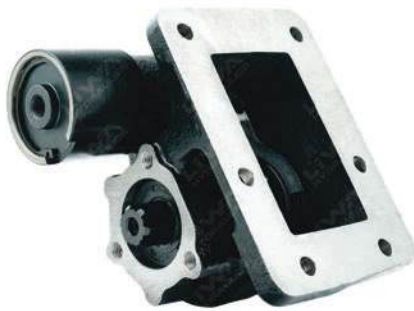
COMPATIBLE TRANSMISSIONS

M 1S-5/4,444 , M 1S-5/4,444 (DENTI DIRITTI), M 2S-5/5,494 (DENTI DIRITTI), M 2S-5/5,886 (DENTI DIRITTI), M 3S-5/5,181 (DENTI DIRITTI)

SPECIFICATIONS

Product Code	55858606
Mounting Type	Left Side
Control Type	Pneumatic
Rotation	Right [CW]
Weight	8,5 kg

MITSUBISHI - HYUNDAI M1S5 - M2S5 - M3S5 VACUUM CONTROL PTO



COMPATIBLE VEHICLES

MITSUBISHI: CANTER 60 KIPPER, CANTER 60 TURBO, CANTER FB 35 D, COLT FE 114 (DIESEL), FE 434, FC 432, FC 300, FC 312, FC 332, FE 311, FE 334, FE 331, FE 444, FE 35, FE 114, FE 211, FE 444 EX, CANTER 444, CANTER 449 HYUNDAI: HD 65, HD 72, HD 50, HD 77

COMPATIBLE TRANSMISSIONS

M 1S-5/4,444 , M 1S-5/4,444 (DENTI DIRITTI), M 2S-5/5,494 (DENTI DIRITTI), M 2S-5/5,886 (DENTI DIRITTI), M 3S-5/5,181 (DENTI DIRITTI)

SPECIFICATIONS

Product Code	55858607
Mounting Type	Left Side
Control Type	Vacuum
Rotation	Right[CW]
Weight	8,5 kg

MITSUBISHI - HYUNDAI M1S5 - M2S5 - M3S5 MECHANICAL CONTROL PTO



COMPATIBLE VEHICLES

MITSUBISHI: CANTER 60 KIPPER, CANTER 60 TURBO, CANTER FB 35 D, COLT FE 114 (DIESEL), FE 434, FC 432, FC 300, FC 312, FC 332, FE 311, FE 334, FE 331, FE 444, FE 35, FE 114, FE 211, FE 444 EX, CANTER 444, CANTER 449 HYUNDAI: HD 65, HD 72, HD 50, HD 77

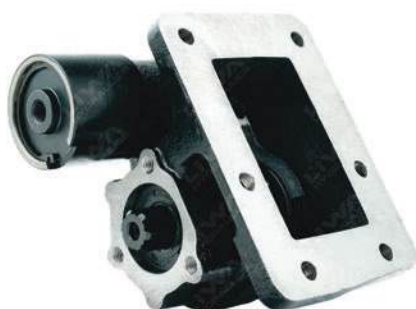
COMPATIBLE TRANSMISSIONS

M 1S-5/4,444 , M 1S-5/4,444 (DENTI DIRITTI), M 2S-5/5,494 (DENTI DIRITTI), M 2S-5/5,886 (DENTI DIRITTI), M 3S-5/5,181 (DENTI DIRITTI)

SPECIFICATIONS

Product Code	55858604
Mounting Type	Left Side
Control Type	Mechanic
Rotation	Right[CW]
Weight	8,5 kg

MITSUBISHI MO 15 S 5 VACUUM CONTROL PTO



COMPATIBLE VEHICLES

EURO2 FE71AB/ EURO2 FE511/ EURO2 FE711

COMPATIBLE TRANSMISSIONS

MO 15-S5/4,733

SPECIFICATIONS

Product Code	55858610
Mounting Type	Left Side
Control Type	Vacuum
Rotation	Right(CW)
Weight	8.5 kg

MITSUBISHI MO 15 S 5 MECHANICAL CONTROL PTO



COMPATIBLE VEHICLES

EURO2 FE71AB/ EURO2 FE511/ EURO2 FE711

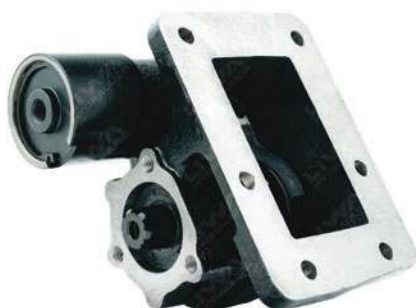
COMPATIBLE TRANSMISSIONS

MO 15-S5/4,733

SPECIFICATIONS

Product Code	55858601
Mounting Type	Left Side
Control Type	Mechanic
Rotation	Right(CW)
Weight	8.5 kg

MITSUBISHI MO 25 S 5 PNEUMATIC CONTROL PTO



COMPATIBLE VEHICLES

MITSUBISHI: EURO2 FE83PC / EURO2 FE635/ EURO2 FE515/ EURO2 FE519/
EURO2 FE534/ EURO2 FE544/ EURO2 FE639C/ EURO2 FE130C1

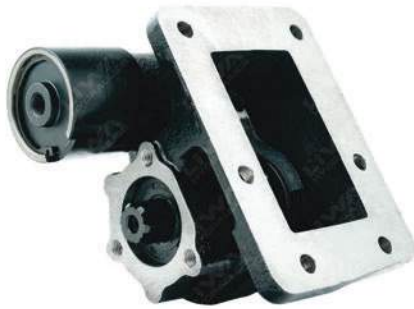
COMPATIBLE TRANSMISSIONS

MO 25-S5/4,28-4,748

SPECIFICATIONS

Product Code	55858612
Mounting Type	Left Side
Control Type	Pneumatic
Rotation	Right(CW)
Weight	8.5 kg

POWER TAKE OFF

mitsubishi MO 25 S 5 VACUUM CONTROL PTO

COMPATIBLE VEHICLES

MITSUBISHI: EURO2 FE83PC / EURO2 FE635/ EURO2 FE515/ EURO2 FE519/
EURO2 FE534/ EURO2 FE544/ EURO2 FE639C/ EURO2 FE130C1

COMPATIBLE TRANSMISSIONS

MO 25-S5/4,28-4,748

SPECIFICATIONS

Product Code	55858613
Mounting Type	Left Side
Control Type	Vacuum
Rotation	Right(CW)
Weight	8,5 kg

mitsubishi MO 25 S 5 MECHANICAL CONTROL PTO

COMPATIBLE VEHICLES

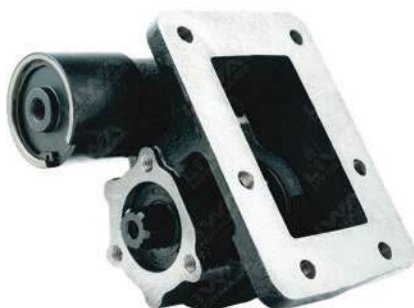
MITSUBISHI: EURO2 FE83PC / EURO2 FE635/ EURO2 FE515/ EURO2 FE519/
EURO2 FE534/ EURO2 FE544/ EURO2 FE639C/ EURO2 FE130C1

COMPATIBLE TRANSMISSIONS

MO 25-S5/4,28-4,748

SPECIFICATIONS

Product Code	55858602
Mounting Type	Left Side
Control Type	Mechanic
Rotation	Right(CW)
Weight	8,5 kg

mitsubishi MO 35 S 5 / HYUNDAI HD105 S106 853 PNEUMATIC CONTROL PTO

COMPATIBLE VEHICLES

HYUNDAI: HD 75, HD 72 MITSUBISHI: EURO2 FE85PE, EURO2 FE649 EURO2
FE659, CANTER FE150C1, CANTER FE150E1 CANTER 150G1 4T, CANTER 150G2
4.5T

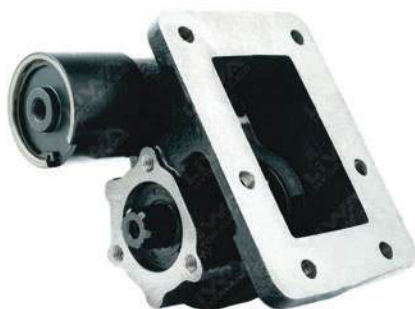
COMPATIBLE TRANSMISSIONS

5 S 21187, 5 S 6853, HD 105 S106 853, HD 105 S1925 (5 SPEED) M 035-S6, M
035-T3, MO 35-S5/5,38-5,52

SPECIFICATIONS

Product Code	55858615
Mounting Type	Left Side
Control Type	Pneumatic
Rotation	Right(CW)
Weight	8,5 kg

MITSUBISHI M0 35 S 5 / HYUNDAI HD105 S106 853 VACUUM CONTROL PTO



COMPATIBLE VEHICLES

HYUNDAI: HD 75, HD 72 MITSUBISHI: EURO2 FE85PE, EURO2 FE649 EURO2 FE659, CANTER FE150C1, CANTER FE150E1 CANTER 150G1 4T, CANTER 150G2 4,5T

COMPATIBLE TRANSMISSIONS

5 S 21187, 5 S 6853, HD 105 S106 853, HD 105 S1925 (5 SPEED) M 035-S6, M 035-T3, M0 35-S5/5,38-5,52

SPECIFICATIONS

Product Code	55858616
Mounting Type	Left Side
Control Type	Vacuum
Rotation	Right(CW)
Weight	8,5 kg

MITSUBISHI M0 35 S 5 / HYUNDAI HD105 S106 853 MECHANICAL CONTROL PTO



COMPATIBLE VEHICLES

HYUNDAI: HD 75, HD 72 MITSUBISHI: EURO2 FE85PE, EURO2 FE649 EURO2 FE659, CANTER FE150C1, CANTER FE150E1 CANTER 150G1 4T, CANTER 150G2 4,5T

COMPATIBLE TRANSMISSIONS

5 S 21187, 5 S 6853, HD 105 S106 853, HD 105 S1925 (5 VITES) M 035-S6, M 035-T3, M0 35-S5/5,38-5,52

SPECIFICATIONS

Product Code	55858603
Mounting Type	Left Side
Control Type	Mechanic
Rotation	Right(CW)
Weight	8,5 kg

MITSUBISHI M0 26 S 5 - 27 S 5 EURO 4 PNEUMATIC CONTROL PTO



COMPATIBLE VEHICLES

MITSUBISHI: EURO4 FE730/ EURO4 FE839

COMPATIBLE TRANSMISSIONS

M 026-S5/4,748 / M 027-S5/4,748

SPECIFICATIONS

Product Code	55858618
Mounting Type	Left Side
Control Type	Pneumatic
Rotation	Right(CW)
Weight	9,5 kg

POWER TAKE OFF

MITSUBISHI M0 26 S 5 - 27 S 5 EURO 4 VACUUM CONTROL PTO

COMPATIBLE VEHICLES

MITSUBISHI: EURO4 FE730/ EURO4 FE839

COMPATIBLE TRANSMISSIONS

M 026-S5/4,748 / M 027-S5/4,748

SPECIFICATIONS

Product Code	55858619
Mounting Type	Left Side
Control Type	Vacuum
Rotation	Right(CW)
Weight	9.5 kg

MITSUBISHI M0 26 S 5 - 27 S 5 EURO 4 MECHANICAL CONTROL PTO

COMPATIBLE VEHICLES

MITSUBISHI: EURO4 FE730/ EURO4 FE839

COMPATIBLE TRANSMISSIONS

M 026-S5/4,748 / M 027-S5/4,748

SPECIFICATIONS

Product Code	55858620
Mounting Type	Left Side
Control Type	Mechanic
Rotation	Right(CW)
Weight	9.5 kg

MITSUBISHI M0 36 S 6 - 36 S 5 / HYUNDAI HD105W02132 PNEUMATIC CONTROL PTO

COMPATIBLE VEHICLES

HYUNDAI: HD 35 / HD 75 CANTER FUSO 3S13 / CANTER FUSO EURO5 / FUSO 3C15 / FUSO 6C15 / FUSO 7C15 / FUSO 6C18 / FUSO 7C18 / EURO4 FE859G / EURO4 FE85BE / EURO4 FE85BG

COMPATIBLE TRANSMISSIONS

HD 105W02132 (5 SPEED) M 036 S6 / M 036-A6 / M 036-S5 M 036-S6/5,400 / M 037 S6

SPECIFICATIONS

Product Code	55858622
Mounting Type	Left Side
Control Type	Pneumatic
Rotation	Right(CW)
Weight	9.5 kg

MITSUBISHI MO 36 S 6 - 36 S 5 / HYUNDAI HD105W02132 VACUUM CONTROL PTO



COMPATIBLE VEHICLES

HYUNDAI: HD 35 / HD 75 CANTER FUSO 3S13 / CANTER FUSO EURO5 / FUSO 3C15 / FUSO 6C15 / FUSO 7C15 / FUSO 6C18 / FUSO 7C18 / EURO4 FE859G / EURO4 FE85BE / EURO4 FE85BG

COMPATIBLE TRANSMISSIONS

HD 105W02132 (5 SPEED) M 036 S6 / M 036-A6 / M 036-S5 M 036-S6/5,400 / M 037 S6

SPECIFICATIONS

Product Code	55858623
Mounting Type	Left Side
Control Type	Vacuum
Rotation	Right(CW)
Weight	9,5 kg

MITSUBISHI MO 36 S 6 - 36 S 5 / HYUNDAI HD105W02132 MECHANICAL CONTROL PTO



COMPATIBLE VEHICLES

HYUNDAI: HD 35 / HD 75 CANTER FUSO 3S13 / CANTER FUSO EURO5 / FUSO 3C15 / FUSO 6C15 / FUSO 7C15 / FUSO 6C18 / FUSO 7C18 / EURO4 FE859G / EURO4 FE85BE / EURO4 FE85BG

COMPATIBLE TRANSMISSIONS

HD 105W02132 (5 SPEED) M 036 S6 / M 036-A6 / M 036-S5 M 036-S6/5,400 / M 037 S6

SPECIFICATIONS

Product Code	55858624
Mounting Type	Left Side
Control Type	Mechanic
Rotation	Right(CW)
Weight	9,5 kg

MITSUBISHI MO 38 S 6 PNEUMATIC CONTROL PTO



COMPATIBLE VEHICLES

MITSUBISHI: CANTER TFB35 / CANTER TFB65L / CANTER TFB75 / CANTER TFB75L / CANTER TFB85 / CANTER TFB85L / EURO5 TFA35L / EURO5 TFB35 / EURO5 TFB75 / EURO5 TFB75L / DUONIC FER125 / DUONIC FEC52S / DUONIC FG 4X4 / DUONIC FGB 72S / DUONIC FE160 / DUONIC FEC72S / DUONIC FEC72W / DUONIC FEC92C / CANTER 413 / CANTER 515 / CANTER 516 / CANTER 615 / CANTER 715 / CANTER 815 / CANTER 918

COMPATIBLE TRANSMISSIONS

M 038-S5 / M 038-S6

SPECIFICATIONS

Product Code	55858633
Mounting Type	Left Side
Control Type	Pneumatic
Rotation	Right(CW)
Weight	9,5 kg

MITSUBISHI MO 38 S 6 VACUUM CONTROL PTO

COMPATIBLE VEHICLES

MITSUBISHI: CANTER TFB35 / CANTER TFB65L / CANTER TFB75 / CANTER TFB75L / CANTER TFB85 / CANTER TFB85L / EURO5 TFA35L / EURO5 TFB35 / EURO5 TFB75 / EURO5 TFB75L / DUONIC FER125 / DUONIC FEC52S / DUONIC FG 4X4 / DUONIC FGB 72S / DUONIC FE160 / DUONIC FEC72S / DUONIC FEC72W / DUONIC FEC92C / CANTER 413 / CANTER 515 / CANTER 516 / CANTER 615 / CANTER 715 / CANTER 815 / CANTER 918

COMPATIBLE TRANSMISSIONS

M 038-S5 / M 038-S6

SPECIFICATIONS

Product Code	55858634
Mounting Type	Left Side
Control Type	Vacuum
Rotation	Right(CW)
Weight	9,5 kg

MITSUBISHI MO 38 S 6 MECHANICAL CONTROL PTO

COMPATIBLE VEHICLES

MITSUBISHI: CANTER TFB35 / CANTER TFB65L / CANTER TFB75 / CANTER TFB75L / CANTER TFB85 / CANTER TFB85L / EURO5 TFA35L / EURO5 TFB35 / EURO5 TFB75 / EURO5 TFB75L / DUONIC FER125 / DUONIC FEC52S / DUONIC FG 4X4 / DUONIC FGB 72S / DUONIC FE160 / DUONIC FEC72S / DUONIC FEC72W / DUONIC FEC92C / CANTER 413 / CANTER 515 / CANTER 516 / CANTER 615 / CANTER 715 / CANTER 815 / CANTER 918

COMPATIBLE TRANSMISSIONS

M 038-S5 / M 038-S6

SPECIFICATIONS

Product Code	55858632
Mounting Type	Left Side
Control Type	Mechanic
Rotation	Right(CW)
Weight	9,5 kg

VOLVO SR / R 1000 - 1400 SINGLE GEAR PTO



COMPATIBLE VEHICLES

VOLVO: FL 616 4X2, FL 7 4X2, F 10, F 12 FS 6X4, F 16, FH 12340, FH 12380, FH 12420, FH 16470, FH 16520, FH 16560, FH 16610, FM 12340, FM 12380, FM 12420, FM 10360, FM 10320, FM 7250, FM 7290, FM 12460, FM 12500, FM 12380 8X4, FM 12420 8X4, N10 4X2, N 12, FL 10, NL 12, FH 16, FH 12, FM 12, FL 616, FL 7, FM 7

COMPATIBLE TRANSMISSIONS

R 1000, R 1400, R 1700, R 1900, R 2000, R 2400, RO 2400, SR 1000, SR 1400, SR 1700, SR 1900, SR 2000, SR 2400, VT 1708, VT 2009B, VT 2014, VT 2212, VT 2214, VT 2214B, VT 2514 OD, VT 2514B, VT 2814B, VTO 2214B (OD), VTO 2514B (OD), VTO 2814B

SPECIFICATIONS

Product Code	55108602
Mounting Type	Rear
Control Type	Pneumatic
Rotation	Right [CW]
Weight	8.5 kg

VOLVO SR / R 1000 - 1400 DOUBLE GEAR CLOSED TYPE PTO



COMPATIBLE VEHICLES

VOLVO: FL 616 4X2, FL 7 4X2, F 10, F 12 FS 6X4, F 16, FH 12340, FH 12380, FH 12420, FH 16470, FH 16520, FH 16560, FH 16610, FM 12340, FM 12380, FM 12420, FM 10360, FM 10320, FM 7250, FM 7290, FM 12460, FM 12500, FM 12380 8X4, FM 12420 8X4, N10 4X2, N 12, FL 10, NL 12, FH 16, FH 12, FM 12, FL 616, FL 7, FM 7

COMPATIBLE TRANSMISSIONS

R 1000, R 1400, R 1700, R 1900, R 2000, R 2400, RO 2400, SR 1000, SR 1400, SR 1700, SR 1900, SR 2000, SR 2400, VT 1708, VT 2009B, VT 2014, VT 2212, VT 2214, VT 2214B, VT 2514 OD, VT 2514B, VT 2814B, VTO 2214B (OD), VTO 2514B (OD), VTO 2814B

SPECIFICATIONS

Product Code	55108604
Mounting Type	Rear
Control Type	Pneumatic
Rotation	Left [CCW]
Weight	16 kg

VOLVO SR / R 1000 - 1400 (INTARDER) SINGLE GEAR PTO (L : 276MM)



COMPATIBLE VEHICLES

VOLVO FL 10 / VOLVO NL 12 / VOLVO FH 16 / VOLVO FH 12 / VOLVO FM 12 / VOLVO FL 616 / VOLVO FL 7 / VOLVO F 10 / VOLVO F 16 / VOLVO N 12 / VOLVO FM 7

COMPATIBLE TRANSMISSIONS

R 1000 (INT), R 1400 (INT), R 1700 (INT), R 1900 (INT), R 2000 (INT), R 2400 (INT), RO 2400 (INT), SR 1000 (INT), SR 1400 (INT), SR 1700 (INT), SR 1900 (INT), SR 2000 (INT), SR 2400 (INT), VT 1708 (INT), VT 2009B (INT), VT 2014 (INT), VT 2212 (INT), VT 2214 (INT), VT 2514 (INT), VT 2514B (INT), VT 2814B (INT), VTO 2214B (INT)

SPECIFICATIONS

Product Code	55108605
Mounting Type	Rear
Control Type	Pneumatic
Rotation	Right [CW]
Weight	8.5 kg

POWER TAKE OFF

VOLVO SR / R 1000 - 1400 (INTARDER) DOUBLE GEAR CLOSED TYPE PTO (L : 276MM)**COMPATIBLE VEHICLES**

VOLVO FL 10 / VOLVO NL 12 / VOLVO FH 16 / VOLVO FH 12 / VOLVO FM 12 / VOLVO FL 616 / VOLVO FL 7 / VOLVO F 10 / VOLVO F 16 / VOLVO N 12 / VOLVO FM 7

COMPATIBLE TRANSMISSIONS

R 1000 (INT), R 1400 (INT), R 1700 (INT), R 1900 (INT), R 2000 (INT), R 2400 (INT), RO 2400 (INT), SR 1000 (INT), SR 1400 (INT), SR 1700 (INT), SR 1900 (INT), SR 2000 (INT), SR 2400 (INT), VT 1708 (INT), VT 2009B (INT), VT 2014 (INT), VT 2212 (INT), VT 2214 (INT), VT 2514 (INT), VT 2514B (INT), VT 2814B (INT), VTO 2214B (INT)

SPECIFICATIONS

Product Code	55108607
Mounting Type	Rear
Control Type	Pneumatic
Rotation	Left (CCW)
Weight	16 kg

VOLVO R 52 - SR 52 - R 51R SINGLE GEAR PTO**COMPATIBLE VEHICLES**

VOLVO: F 10, F 86, F 88, F 1233, F 7

COMPATIBLE TRANSMISSIONS

R 52, R51R, SR 52

SPECIFICATIONS

Product Code	55108608
Mounting Type	Rear
Control Type	Pneumatic
Rotation	Right (CW)
Weight	5 kg

VOLVO R 52 - SR 52 - R 51R DOUBLE GEAR PTO**COMPATIBLE VEHICLES**

VOLVO: F 10, F 86, F 88, F 1233, F 7

COMPATIBLE TRANSMISSIONS

R 52, R51R, SR 52

SPECIFICATIONS

Product Code	55108610
Mounting Type	Rear
Control Type	Pneumatic
Rotation	Left (CCW)
Weight	12.5 kg

VOLVO R 62 - SR 61 SINGLE GEAR PTO



COMPATIBLE VEHICLES

VOLVO: F12.20, F12.21, F12.24, F 7, F 10, F 88, F 1020, F 1225, N 10, N 12

COMPATIBLE TRANSMISSIONS

MR 61, MR 62 B, R 60, R 61, R 62, SR 61, SR 62

SPECIFICATIONS

Product Code	55108601
Mounting Type	Rear
Control Type	Pneumatic
Rotation	Right [CW]
Weight	5 kg

VOLVO R 62 - SR 61 DOUBLE GEAR CLOSED TYPE PTO



COMPATIBLE VEHICLES

VOLVO: F12.20, F12.21, F12.24, F 7, F 10, F 88, F 1020, F 1225, N 10, N 12

COMPATIBLE TRANSMISSIONS

MR 61, MR 62 B, R 60, R 61, R 62, SR 61, SR 62

SPECIFICATIONS

Product Code	55108612
Mounting Type	Rear
Control Type	Pneumatic
Rotation	Left [CCW]
Weight	12.5 kg

VOLVO SR 71 / R 70 - 72 SINGLE GEAR PTO WITH CARDAN SHAFT



COMPATIBLE VEHICLES

VOLVO: F12.20 A40 INTERCOOLER 4X2 , F12.24 6X2, N12 INTERCOOLER 4X2, TF 12 INTERCOOLER 4X2, TN 12 4X2, TN 12 6X4 MARK II, FL 7, FL 10, F 10, N 12, N 10, NL 12

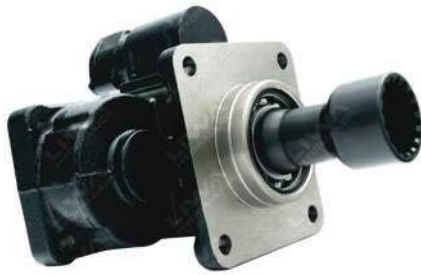
COMPATIBLE TRANSMISSIONS

R 70, R 72, SR 70, SR 71

SPECIFICATIONS

Product Code	55108613
Mounting Type	Rear
Control Type	Pneumatic
Rotation	Right [CW]
Weight	7.5 kg

VOLVO SR 71 / R 70 - 72 DOUBLE GEAR PTO WITH CARDAN SHAFT



COMPATIBLE VEHICLES

VOLVO: F12.20 A40 INTERCOOLER 4X2, F12.24 6X2, N12 INTERCOOLER 4X2, TF 12 INTERCOOLER 4X2, TN 12 4X2, TN 12 6X4 MARK II, FL 7, FL 10, F 10, N 12, N 10, NL 12

COMPATIBLE TRANSMISSIONS

R 70, R 72, SR 70, SR 71

SPECIFICATIONS

Product Code	55108615
Mounting Type	Rear
Control Type	Pneumatic
Rotation	Left (CCW)
Weight	15.5 kg

VOLVO AT 2412 - 2512 SINGLE GEAR PTO WITH CARDAN SHAFT



COMPATIBLE VEHICLES

VOLVO: FH (02/2006), FH12, FM12, F 9 RENAULT: PREMIUM 440

COMPATIBLE TRANSMISSIONS

AT 2412, AT 2412C, AT 2412C (NOCLUTCH), AT 2512C, AT 2514, AT 2515C, AT 2812C, ATO 2512C, ATO 3112C

SPECIFICATIONS

Product Code	55108616
Mounting Type	Rear
Control Type	Pneumatic
Rotation	Right (CW)
Weight	6.5 kg

VOLVO AT 2412 - 2512 DOUBLE GEAR CLOSED TYPE PTO WITH CARDAN SHAFT



COMPATIBLE VEHICLES

VOLVO: FH (02/2006), FH12, FM12, F 9
RENAULT: PREMIUM 440

COMPATIBLE TRANSMISSIONS

AT 2412, AT 2412C, AT 2412C (NOCLUTCH), AT 2512C, AT 2514, AT 2515C, AT 2812C, ATO 2512C, ATO 3112C

SPECIFICATIONS

Product Code	55108618
Mounting Type	Rear
Control Type	Pneumatic
Rotation	Left (CCW)
Weight	14.5 kg

IVECO 2828,5 - 2831,5 - 28028 - 28031 PNEUMATIC CONTROL PTO



COMPATIBLE VEHICLES

IVECO: 35.9, 65.9, 35 NC, 50 NC, 50.9, 50.11, 60.9

COMPATIBLE TRANSMISSIONS

28028, 28031, 2828,5, 2831,5

SPECIFICATIONS

Product Code	55748604
Mounting Type	Right Side
Control Type	Pneumatic
Rotation	Right [CW]
Weight	9 kg

IVECO 2828,5 - 2831,5 - 28028 - 28031 VACUUM CONTROL PTO



COMPATIBLE VEHICLES

IVECO: 35.9, 65.9, 35 NC, 50 NC, 50.9, 50.11, 60.9

COMPATIBLE TRANSMISSIONS

28028, 28031, 2828,5, 2831,5

SPECIFICATIONS

Product Code	55748616
Mounting Type	Right Side
Control Type	Vacuum
Rotation	Right [CW]
Weight	9 kg

IVECO 2828,5 - 2831,5 - 28028 - 28031 MECHANICAL CONTROL PTO



COMPATIBLE VEHICLES

IVECO: 35.9, 65.9, 35 NC, 50 NC, 50.9, 50.11, 60.9

COMPATIBLE TRANSMISSIONS

28028, 28031, 2828,5, 2831,5

SPECIFICATIONS

Product Code	55748601
Mounting Type	Right Side
Control Type	Mechanic
Rotation	Right [CW]
Weight	9 kg

POWER TAKE OFF

IVECO 2845.6 - 2855.6 SIDE MOUNTED PTO



COMPATIBLE VEHICLES

IVECO: 60.10, 60.12, 75.14, 80.14, 80.12, 85.12, 85.14, 120.14 EUROARGO: ML 60 E 13 TECTOR, ML 60 E 15 TECTOR, ML 65 E 13 TECTOR, ML 65 E 15 TECTOR, ML 75 E 13 TECTOR, ML 75 E 15 TECTOR, ML 80 E 15 TECTOR, ML 90 E 17 TECTOR, ML 100 E 17 TECTOR, 60.10, 60.12, 60.14, 65.10, 65 E 12, 65 E 14, 75.12, 75 E 15, 80 E 15, 100 E 15, 120.15, 80 E 18, 100 E 18, 120.18, 130.18, 130.15, 150.15

COMPATIBLE TRANSMISSIONS

2845.6, 2855.6, SPR 2845.6/6,33, SPR 2855.6/6,33, SPR 2855.6/6,33

SPECIFICATIONS

Product Code	55748602
Mounting Type	Right Side
Control Type	Pneumatic
Rotation	Right (CW)
Weight	11 kg

IVECO 2845.6 - 2855.6 DOUBLE GEAR ISO PTO



COMPATIBLE VEHICLES

IVECO: 60.10, 60.12, 75.14, 80.14, 80.12, 85.12, 85.14, 120.14 EUROARGO: ML 60 E 13 TECTOR, ML 60 E 15 TECTOR, ML 65 E 13 TECTOR, ML 65 E 15 TECTOR, ML 75 E 13 TECTOR, ML 75 E 15 TECTOR, ML 80 E 15 TECTOR, ML 90 E 17 TECTOR, ML 100 E 17 TECTOR, 60.10, 60.12, 60.14, 65.10, 65 E 12, 65 E 14, 75.12, 75 E 15, 80 E 15, 100 E 15, 120.15, 80 E 18, 100 E 18, 120.18, 130.18, 130.15, 150.15

COMPATIBLE TRANSMISSIONS

2845.6, 2855.6, SPR 2845.6/6,33, SPR 2855.6/6,33, SPR 2855.6/6,33

SPECIFICATIONS

Product Code	55748607
Mounting Type	Rear
Control Type	Pneumatic
Rotation	Left (CCW)
Weight	11 kg

IVECO 2846.5 - 2842 - 2835 ISO PTO



COMPATIBLE VEHICLES

IVECO: 79.13, 65.15, 100.13, 135.14

COMPATIBLE TRANSMISSIONS

2646.5, 2830.5, 2835.5, 2842.5, 2846.5

SPECIFICATIONS

Product Code	55748608
Mounting Type	Rear
Control Type	Pneumatic
Rotation	Left (CCW)
Weight	16.6 kg

IVECO 2865.6 ISO PTO



COMPATIBLE VEHICLES

IVECO EUROCARGO: ML 80 E 21 TECTOR, ML 90 E 21 TECTOR, ML 100 E 21 TECTOR, 80.21, 100 E 18, 100.23, 130.23, 150.18, 150.23, 170.18, 170.23, 120 E 18, 180 E 25, 150 E 18

COMPATIBLE TRANSMISSIONS

SPR 2865.6/9,00

SPECIFICATIONS

Product Code	55748611
Mounting Type	Rear
Control Type	Pneumatic
Rotation	Left (CCW)
Weight	11 kg

IVECO 2870.9 ISO PTO WITH CARDAN SHAFT



COMPATIBLE VEHICLES

IVECO EUROCARGO: ML 110 E 21 TECTOR, ML 120 E 18 TECTOR, ML 130 E 18 TECTOR, ML 150 E 18 TECTOR, 120.18, 120.23, 130.15, 130.18, 130.23, 150.18, 150.23, 170.18, 170.23, 180 E 18, 120 E 18, 180 E 25, 150 E 18

COMPATIBLE TRANSMISSIONS

SPR 2870.9/13,19

SPECIFICATIONS

Product Code	55748613
Mounting Type	Rear
Control Type	Pneumatic
Rotation	Left (CCW)
Weight	12 kg

IVECO 2895.9 ISO PTO WITH CARDAN SHAFT



COMPATIBLE VEHICLES

IVECO EUROCARGO: 110 E 21 TECTOR, ML 120 E 18 TECTOR, ML 130 E 18 TECTOR, ML 150 E 18 TECTOR, 120.18, 120.23, 130.15, 130.18, 130.23, 150.18, 150.23, 170.18, 170.23, 180 E 18, 120 E 18, 180 E 25, 150 E 18

COMPATIBLE TRANSMISSIONS

SPR 2895.9/13,56

SPECIFICATIONS

Product Code	55748615
Mounting Type	Rear
Control Type	Pneumatic
Rotation	Left (CCW)
Weight	11 kg

POWER TAKE OFF

EATON - HEMA 475 RIGHT SIDE MOUNTED PTO**COMPATIBLE VEHICLES**

FORD: CARGO 2014, CARGO 2114, CARGO 1210, CARGO 1212, CARGO 1312, CARGO 1812, CARGO 1814, CARGO 2117, CARGO 2517 BMC: FATIH 105.08, FATIH 110.08, FATIH 145.22, 1340

COMPATIBLE TRANSMISSIONS

475 CMA, 475 CMO, 475 SMA, 475 SME, 475 SML, 475 SMO

SPECIFICATIONS

Product Code	55548601
Mounting Type	Right Side
Control Type	Pneumatic
Rotation	Right [CW]
Weight	11.5 kg

EATON - HEMA 475 LEFT SIDE MOUNTED PTO**COMPATIBLE VEHICLES**

FORD: CARGO 2014, CARGO 2114, CARGO 1210, CARGO 1212, CARGO 1312, CARGO 1812, CARGO 1814, CARGO 2117, CARGO 2517 BMC: FATIH 105.08, FATIH 110.08, FATIH 145.22, 1340

COMPATIBLE TRANSMISSIONS

475 CMA, 475 CMO, 475 SMA, 475 SME, 475 SML, 475 SMO

SPECIFICATIONS

Product Code	55548608
Mounting Type	Left Side
Control Type	Pneumatic
Rotation	Right [CW]
Weight	11.5 kg

EATON - HEMA 475 DOUBLE GEAR ISO PTO**COMPATIBLE VEHICLES**

FORD: CARGO 2014, CARGO 2114, CARGO 1210, CARGO 1212, CARGO 1312, CARGO 1812, CARGO 1814, CARGO 2117, CARGO 2517 BMC: FATIH 105.08, FATIH 110.08, FATIH 145.22, 1340

COMPATIBLE TRANSMISSIONS

475 CMA, 475 CMO, 475 SMA, 475 SME, 475 SML, 475 SMO

SPECIFICATIONS

Product Code	55548610
Mounting Type	Rear
Control Type	Pneumatic
Rotation	Left [CCW]
Weight	11 kg

EATON - HEMA 475 SMLX - 5 RIGHT ROTATION PNEUMATIC PTO



COMPATIBLE VEHICLES

IVECO: 75.12, 85.12 ZIL: 130.53.01

COMPATIBLE TRANSMISSIONS

475 SMLX-5

SPECIFICATIONS

Product Code	55548611
Mounting Type	Right Side
Control Type	Pneumatic
Rotation	Right [CW]
Weight	11 kg

EATON - HEMA 475 SMLX - 5 RIGHT ROTATION MECHANIC PTO



COMPATIBLE VEHICLES

IVECO: 75.12, 85.12 ZIL: 130.53.01

COMPATIBLE TRANSMISSIONS

475 SMLX-5

SPECIFICATIONS

Product Code	55548630
Mounting Type	Right Side
Control Type	Mechanic
Rotation	Right [CW]
Weight	11 kg

EATON - HEMA 475 SMLX - 5 LEFT ROTATION PNEUMATIC PTO



COMPATIBLE VEHICLES

IVECO: 75.12, 85.12 ZIL: 130.53.01

COMPATIBLE TRANSMISSIONS

475 SMLX-5

SPECIFICATIONS

Product Code	55548612
Mounting Type	Left Side
Control Type	Pneumatic
Rotation	Left [CCW]
Weight	11 kg

POWER TAKE OFF

EATON - HEMA 475 SMLX - 5 LEFT ROTATION MECHANIC PTO**COMPATIBLE VEHICLES**

IVECO: 75.12, 85.12 ZIL: 130.53.01

COMPATIBLE TRANSMISSIONS

475 SMLX-5

SPECIFICATIONS

Product Code	55548631
Mounting Type	Left Side
Control Type	Mechanic
Rotation	Left (CCW)
Weight	11 kg

EATON - HEMA 570 - 542 - 640 SMA - SMS RIGHT ROTATION SIDE MOUNTED PTO**COMPATIBLE VEHICLES**

FORD: CARGO 2114, CARGO 2116, CARGO 2517 BMC: FATIH 162.22, FATIH 162.25, FATIH 170.25, YAVUZ 1850

COMPATIBLE TRANSMISSIONS

542, 570, 640 CMA, 640 CMR, 640 SMA, 640 SMH, 640 SMJ, 640 SMR, 640 SMS

SPECIFICATIONS

Product Code	55548602
Mounting Type	Right Side
Control Type	Pneumatic
Rotation	Right (CW)
Weight	11.5 kg

EATON - HEMA 570 - 542 - 640 SMA - SMS LEFT ROTATION SIDE MOUNTED PTO**COMPATIBLE VEHICLES**

FORD: CARGO 2114, CARGO 2116, CARGO 2517 BMC: FATIH 162.22, FATIH 162.25, FATIH 170.25, YAVUZ 1850

COMPATIBLE TRANSMISSIONS

542, 570, 640 CMA, 640 CMR, 640 SMA, 640 SMH, 640 SMJ, 640 SMR, 640 SMS

SPECIFICATIONS

Product Code	55548613
Mounting Type	Left Side
Control Type	Pneumatic
Rotation	Left (CCW)
Weight	11.5 kg

EATON - HEMA 570 - 542 - 640 SMA - SMS LEFT ROTATION REAR MOUNTED PTO



COMPATIBLE VEHICLES

FORD: CARGO 2114, CARGO 2116, CARGO 2517 BMC: FATIH 162.22, FATIH 162.25, FATIH 170.25, YAVUZ 1850

COMPATIBLE TRANSMISSIONS

542, 570, 640 CMA, 640 CMR, 640 SMA, 640 SMH, 640 SMJ, 640 SMR, 640 SMS

SPECIFICATIONS

Product Code	55548614
Mounting Type	Rear
Control Type	Pneumatic
Rotation	Left (CCW)
Weight	11 kg

EATON FS / FSV / FSO / H / V / 4106 SIDE MOUNTED PTO



COMPATIBLE VEHICLES

RENAULT: MIDLINER S150.08/A, MIDLINER S150.09, MIDLINER S180.08, MIDLINER S180.09, MIDLUM 135.09, MIDLIM 150.09, MIDLUM 180.08, MIDLUM 210.16/C, PREMIUM DISTRIBUTION 210.18, MIDLUM 180.12, MIDLUM 220CD, MIDLUM 320 MAN: 9223, 9224, L2000 10.224, 8163, 8224, 18224 FORD: CARGO 1415, CARGO 1718, CARGO 2520 BMC: PRO 180, PRO 617, PRO 620, PRO 622, FATIH 220.26 CHRYSLER: AS 950

COMPATIBLE TRANSMISSIONS

FS-3105 /9,05-6,84, FS-4105 /9,05-6,84, FS-4106 A/6,08-9,03-7,54, FS-4106 A/9, 03, FS-4106 B/7,54, FS-5206 /6,08-9,03- 7,54, FS-5209, FS-6309, FSO-4106 A/6,08-9,03-7,54, FSO-5206 /6,08-9,03-7, 54, FSO-5206 B/6,08

SPECIFICATIONS

Product Code	55548603
Mounting Type	Left Side
Control Type	Pneumatic
Rotation	Left (CCW)
Weight	11.5 kg

EATON FS / FSO / H / V / 4106 DOUBLE GEAR CLOSED TYPE ISO PTO



COMPATIBLE VEHICLES

RENAULT: MIDLINER S150.08/A, MIDLINER S150.09, MIDLINER S180.08, MIDLINER S180.09, MIDLUM 135.09, MIDLIM 150.09, MIDLUM 180.08, MIDLUM 210.16/C, PREMIUM DISTRIBUTION 210.18, MIDLUM 180.12, MIDLUM 220CD, MIDLUM 320 MAN: 9223, 9224, L2000 10.224, 8163, 8224, 18224 FORD: CARGO 1415, CARGO 1718, CARGO 2520 BMC: PRO 180, PRO 617, PRO 620, PRO 622, FATIH 220.26 CHRYSLER: AS 950

COMPATIBLE TRANSMISSIONS

FS-3105 /9,05-6,84, FS-4105 /9,05-6,84, FS-4106 A/6,08-9,03-7,54, FS-4106 A/9, 03, FS-4106 B/7,54, FS-5206 /6,08-9,03- 7,54, FS-5209, FS-6309, FSO-4106 A/6,08-9,03-7,54, FSO-5206 /6,08-9,03-7, 54, FSO-5206 B/6,08

SPECIFICATIONS

Product Code	55548615
Mounting Type	Rear
Control Type	Pneumatic
Rotation	Left (CCW)
Weight	11 kg

POWER TAKE OFF

EATON FS / FSO / H / V / 4106 DOUBLE GEAR CLOSED TYPE UNI PTO



COMPATIBLE VEHICLES

RENAULT: MIDLINER S150.08/A, MIDLINER S150.09, MIDLINER S180.08, MIDLINER S180.09, MIDLUM 135.09, MIDLIM 150.09, MIDLUM 180.08, MIDLUM 210.16/C, PREMIUM DISTRIBUTION 210.18, MIDLUM 180.12, MIDLUM 220CD, MIDLUM 320
MAN: 9223, 9224, L2000 10.224, 8163, 8224, 18224 FORD: CARGO 1415, CARGO 1718, CARGO 2520 BMC: PRO 180, PRO 617, PRO 620, PRO 622, FATIH 220.26
CHRYSLER: AS 950

COMPATIBLE TRANSMISSIONS

FS-3105 /9,05-6,84, FS-4105 /9,05-6,84, FS-4106 A/6,08-9,03-7,54, FS-4106 A/9, 03, FS-4106 B/7,54, FS-5206 /6,08-9,03- 7,54, FS-5209, FS-6309, FSO-4106 A/6,08-9,03-7,54, FSO-5206 /6,08-9,03-7, 54, FSO-5206 B/6,08

SPECIFICATIONS

Product Code	55548616
Mounting Type	Rear
Control Type	Pneumatic
Rotation	Left [CCW]
Weight	11 kg

EATON FS / FSV / FSO / H / V / 6109 SIDE MOUNTED PTO



COMPATIBLE VEHICLES

RENAULT: MIDLINER M 250.13/C, MIDLINER M 250.16D, MIDLUM 250.12/C, PREMIUM DISTRIBUTION 250.18, PREMIUM DISTRIBUTION 260.18, MIDLINER M180, MIDLINER M210, MIDLINER M150, MIDLINER M230, MIDLINER S120, MIDLINERS210, PREMIUM 220, MIDLUM 270 HINO: FM TATA: LPS 4021 TC
MAN: 26234, 26264, 26284, M2000 14.224, M2000 14.254, M2000 14.284, 19264 FORD: CARGO 2520L, CARGO 2621, CARGO 2421 BMC: FATIH 214.26, FATIH 220.26, FATIH 280 DAF: FA 55.220, LF 55.250, LF 55.280 NISSAN: CPC 16

COMPATIBLE TRANSMISSIONS

FS 6109 A/8,81 [12,64], FS-5109 (7,48 - 6,59), FS-5109 A/8,76 (LOW 12,57), FS-5206 A/9,03, FS-6109 A/8,81 (LOW 12,64), FS-6209, FS-6309, FS-6309 A/8,76 (LOW 12,57), FS-8209 A/8,76 (LOW 12,57), FS-8309 A/8,76 (LOW 12,57), FSO-5206 A/9,03, FSO-6109 , FSO-8209 A/6,59 (LOW 9,45)

SPECIFICATIONS

Product Code	55548604
Mounting Type	Left Side
Control Type	Pneumatic
Rotation	Right [CW]
Weight	11.5 kg

EATON FS / FSV / FSO / H / V / 6109 DOUBLE GEAR CLOSED TYPE PTO



COMPATIBLE VEHICLES

RENAULT: MIDLINER M 250.13/C, MIDLINER M 250.16D, MIDLUM 250.12/C, PREMIUM DISTRIBUTION 250.18, PREMIUM DISTRIBUTION 260.18, MIDLINER M180, MIDLINER M210, MIDLINER M150, MIDLINER M230, MIDLINER S120, MIDLINERS210, PREMIUM 220, MIDLUM 270 HINO: FM TATA: LPS 4021 TC
MAN: 26234, 26264, 26284, M2000 14.224, M2000 14.254, M2000 14.284, 19264 FORD: CARGO 2520L, CARGO 2621, CARGO 2421 BMC: FATIH 214.26, FATIH 220.26, FATIH 280 DAF: FA 55.220, LF 55.250, LF 55.280 NISSAN: CPC 16

COMPATIBLE TRANSMISSIONS

FS 6109 A/8,81 [12,64], FS-5109 (7,48 - 6,59), FS-5109 A/8,76 (LOW 12,57), FS-5206 A/9,03, FS-6109 A/8,81 (LOW 12,64), FS-6209, FS-6309, FS-6309 A/8,76 (LOW 12,57), FS-8209 A/8,76 (LOW 12,57), FS-8309 A/8,76 (LOW 12,57), FSO-5206 A/9,03, FSO-6109 , FSO-8209 A/6,59 (LOW 9,45)

SPECIFICATIONS

Product Code	55548618
Mounting Type	Rear
Control Type	Pneumatic
Rotation	Left [CCW]
Weight	8 kg

EATON FS 5005 - 5205 - 6305 SIDE MOUNTED PTO



COMPATIBLE VEHICLES

IVECO: EUROCARGO 170 E 22 TECTOR FORD: CARGO 1418, CARGO 1419, CARGO 1519, CARGO 1617, CARGO 1618 DODGE: AS 950 CHEVROLET: KODIAK

COMPATIBLE TRANSMISSIONS

FS 5005 A/B, FS 5205 A/B, FS 6305 A/B

SPECIFICATIONS

Product Code	55548605
Mounting Type	Right Side
Control Type	Pneumatic
Rotation	Right (CW)
Weight	11.5 kg

EATON - FULLER RTSO 12316 - 14316 - 15316 DOUBLE GEAR PTO WITH CARDAN SHAFT



COMPATIBLE VEHICLES

MAN: F2000 32.463, F2000 35.463, 19314, 19364, 19414, 19464, 18403, 35403, 21314, 24414, 27364, 35314, 37464, 41414, 41603, 41654, 50414

COMPATIBLE TRANSMISSIONS

RTSO 12316 A, RTSO 14316 A, RTSO 15316 A, RTSO 17316 A

SPECIFICATIONS

Product Code	55548620
Mounting Type	Rear
Control Type	Pneumatic
Rotation	Left (CCW)
Weight	14.7 kg

EATON - FULLER RTSO 12316 - 14316 - 15316 - 17316 A DOUBLE GEAR PTO WITH CARDAN SHAFT (RETARDER)



COMPATIBLE VEHICLES

MAN: 21314, 24414, 27364, 35314, 37464, 41414, 41603, 41654, 50414, 19314, 19364, 19414, 19464, 18403, 35403

COMPATIBLE TRANSMISSIONS

RTSO 14316 A (INTARDER), RTSO 15316 A (INTARDER), RTSO 17316 A (INTARDER)

SPECIFICATIONS

Product Code	55548622
Mounting Type	Rear
Control Type	Pneumatic
Rotation	Left (CCW)
Weight	15.7 kg

POWER TAKE OFF

EATON - FULLER RTO 609 - 613 - 913 UNI PTO (R: 1:1)



COMPATIBLE VEHICLES

FIAT: 697, 619 IVECO: 150.24, 190.48 TURBO STAR , 240.30 P, 260.32 AH, 260.35 H, 300.32, 300.34, EZ 160, 180.24, 190.26, 190.35, 190.42, 198.38, 240.36, 330.35, 380 E 30 MAN: 19.362 F, 19390, 19361, 26321, 26240 FORD: CARGO 1624, CARGO 1824, CARGO 1924, CARGO 2420-D, CARGO 2424, CARGO 2428, CARGO 3424 BMC: FATIH 270, FATIH 270.26

COMPATIBLE TRANSMISSIONS

MRT 11613, RT 11609 A, RT 15613 B, RT 6609, RTO 11609 , RTO 11613, RTO 11709, RTO 12709, RTO 14609 , RTO 609, RTO 613, RTO 6609, RTO 6610, RTO 6613 D, RTO 913, RTX 11509, RTX 14613, RTX 15613, RTX 15615, RTX 6610, RTX 9509, RTX 9513

SPECIFICATIONS

Product Code	55548623
Mounting Type	Bottom
Control Type	Pneumatic
Rotation	Right [CW]
Weight	17.5 kg

EATON - FULLER RTO 609 - 613 - 913 UNI PTO (R: 1:0,8)



COMPATIBLE VEHICLES

FIAT: 697, 619 IVECO: 150.24, 190.48 TURBO STAR , 240.30 P, 260.32 AH, 260.35 H, 300.32, 300.34, EZ 160, 180.24, 190.26, 190.35, 190.42, 198.38, 240.36, 330.35, 380 E 30 MAN: 19.362 F, 19390, 19361, 26321, 26240 FORD: CARGO 1624, CARGO 1824, CARGO 1924, CARGO 2420-D, CARGO 2424, CARGO 2428, CARGO 3424 BMC: FATIH 270, FATIH 270.26

COMPATIBLE TRANSMISSIONS

MRT 11613, RT 11609 A, RT 15613 B, RT 6609, RTO 11609 , RTO 11613, RTO 11709, RTO 12709, RTO 14609 , RTO 609, RTO 613, RTO 6609, RTO 6610, RTO 6613 D, RTO 913, RTX 11509, RTX 14613, RTX 15613, RTX 15615, RTX 6610, RTX 9509, RTX 9513

SPECIFICATIONS

Product Code	55548625
Mounting Type	Bottom
Control Type	Pneumatic
Rotation	Right [CW]
Weight	17.5 kg

EATON - FULLER RTO 609 - 613 - 913 ISO PTO



COMPATIBLE VEHICLES

FIAT: 697, 619 IVECO: 150.24, 190.48 TURBO STAR , 240.30 P, 260.32 AH, 260.35 H, 300.32, 300.34, EZ 160, 180.24, 190.26, 190.35, 190.42, 198.38, 240.36, 330.35, 380 E 30 MAN: 19.362 F, 19390, 19361, 26321, 26240 FORD: CARGO 1624, CARGO 1824, CARGO 1924, CARGO 2420-D, CARGO 2424, CARGO 2428, CARGO 3424 BMC: FATIH 270, FATIH 270.26

COMPATIBLE TRANSMISSIONS

MRT 11613, RT 11609 A, RT 15613 B, RT 6609, RTO 11609 , RTO 11613, RTO 11709, RTO 12709, RTO 14609 , RTO 609, RTO 613, RTO 6609, RTO 6610, RTO 6613 D, RTO 913, RTX 11509, RTX 14613, RTX 15613, RTX 15615, RTX 6610, RTX 9509, RTX 9513

SPECIFICATIONS

Product Code	55548624
Mounting Type	Bottom
Control Type	Pneumatic
Rotation	Right [CW]
Weight	22.5 kg

EATON - FULLER TS / TSO TWIN SPLITTER SINGLE GEAR PTO WITH CARDAN SHAFT



COMPATIBLE VEHICLES

IVECO: 190.32 P, 190.38, 240.36, 190.36, EUROTECH 180 E 34, EUROTECH 190 E 34, EUROTECH 180 E 38, EUROTECH 240 E 38 MP, EUROTECH 400 E 34, EUROTECH 400 E 38, EUROTECH 440 E 38 MP, EUROTECH 720 E 37, EUROTRAKKER MP 380 E 24, EUROTECH 400 E 42, EUROTECH 400 E 38 MP, EUROTECH 190 E 42, EUROTECH 240 E 42, EUROTRAKKER MP 380 E 37, EUROTRAKKER MP 410 E 37, EUROTRAKKER MP 720 E 37, EUROTRAKKER MP 380 E 42, EUROTRAKKER MP 410 E 42, EUROTRAKKER MP 720 E 42 FORD: CARGO 1828, CARGO 3828 DAF: CF 80.330, CF 85.330, CF 85.400

COMPATIBLE TRANSMISSIONS

TWINSPLITTER TS 11612, TS 12612, TS 13612, TS 14607, TS 15612, TS 16612, TS 16612 A/H, TS 19612, TSO 11612, TSO 12612, TSO 13612, TSO 14607, TSO 15612, TSO 16612, TSO 16612 A/H, TSO 19612

SPECIFICATIONS

Product Code	55548626
Mounting Type	Rear
Control Type	Pneumatic
Rotation	Right [CW]
Weight	10 kg

EATON - FULLER TS / TSO TWIN SPLITTER DOUBLE GEAR CLOSED TYPE PTO WITH CARDAN SHAFT



COMPATIBLE VEHICLES

IVECO: 190.32 P, 190.38, 240.36, 190.36, EUROTECH 180 E 34, EUROTECH 190 E 34, EUROTECH 180 E 38, EUROTECH 240 E 38 MP, EUROTECH 400 E 34, EUROTECH 400 E 38, EUROTECH 440 E 38 MP, EUROTECH 720 E 37, EUROTRAKKER MP 380 E 24, EUROTECH 400 E 42, EUROTECH 400 E 38 MP, EUROTECH 190 E 42, EUROTECH 240 E 42, EUROTRAKKER MP 380 E 37, EUROTRAKKER MP 410 E 37, EUROTRAKKER MP 720 E 37, EUROTRAKKER MP 380 E 42, EUROTRAKKER MP 410 E 42, EUROTRAKKER MP 720 E 42 FORD: CARGO 1828, CARGO 3828 DAF: CF 80.330, CF 85.330, CF 85.400

COMPATIBLE TRANSMISSIONS

TWINSPLITTER TS 11612, TS 12612, TS 13612, TS 14607, TS 15612, TS 16612, TS 16612 A/H, TS 19612, TSO 11612, TSO 12612, TSO 13612, TSO 14607, TSO 15612, TSO 16612, TSO 16612 A/H, TSO 19612

SPECIFICATIONS

Product Code	55548628
Mounting Type	Rear
Control Type	Pneumatic
Rotation	Left [CCW]
Weight	17.5 kg

EATON - FULLER RT - RTF - RTO - RTX CLOSED TYPE PTO



COMPATIBLE VEHICLES

IVECO: 180.24, 190.26, 190.35, 190.42, 198.38, 240.36, 330.35, 380 E 30 FORD: TRANSCONT H 3424, TRANSCONT H 3824, TRANSCONT H 4227, TRANSCONT H 4231, TRANSCONT H 4435, TRANSCONT H 4427, TRANSCONT HA 5035 DODGE: 300

COMPATIBLE TRANSMISSIONS

RT 1110, RT 11509, RT 11609 A, RT 12509, RT 12513, RT 12709 H, RT 12710 B, RT 14608, RT 14609, RT 14613, RT 14710 B, RT 15613, RT 15615, RT 7609, RT 7613, RT 9509 A, RT 9513, RT 9710 A, RTF 910, RTF 9509 A, RTO 1110, RTO 11509, RTO 11608, RTO 11609 A, RTO 11709, RTO 12509, RTO 12513, RTO 12609, RTO 12709 H, RTO 12710 B, RTO 14608, RTO 14609, RTO 14613, RTO 14710 B, RTO 15613, RTO 15615, RTO 7609, RTO 7613, RTO 910, RTO 9509 A, RTO 9513, RTO 9710 A, RTX 11509, RTX 11609 A, RTX 11613 B, RTX 11709, RTX 12509, RTX 12513, RTX 12609, RTX 12709 H, RTX 12710 B, RTX 14608, RTX 14609, RTX 14609 A, RTX 14609 A/B, RTX 14613, RTX 14710 B, RTX 15613, RTX 15615, RTX 7609

SPECIFICATIONS

Product Code	55449606
Mounting Type	Rear
Control Type	Pneumatic
Rotation	Left [CCW]
Weight	18 kg

EATON - FULLER RTO 11609 - 11613 / RT / RTX 7608 ISO PTO



COMPATIBLE VEHICLES

FIAT: 697, 619 IVECO: 150.24, 190.48 TURBO STAR , 240.30 P, 260.32 AH, 260.35 H, 300.32, 300.34, EZ 160, 180.24, 190.26, 190.35, 190.42, 198.38, 240.36, 330.35, 380 E 30 MAN: 19.362 F, 19390, 19361, 26321, 26240 FORD: CARGO 1624, CARGO 1824, CARGO 1924, CARGO 2420-D, CARGO 2424, CARGO 2428, CARGO 3424 BMC: FATIH 270, FATIH270.26

COMPATIBLE TRANSMISSIONS

MRT 11613, RT 11609 A, RT 15613 B, RT 6609, RTO 11609 , RTO 11613, RTO 11709, RTO 12709, RTO 14609 , RTO 609, RTO 613, RTO 6609, RTO 6610, RTO 6613 D, RTO 913, RTX 11509, RTX 14613, RTX 15613, RTX 15615, RTX 6610, RTX 9509, RTX 9513

SPECIFICATIONS

Product Code	55447601
Mounting Type	Bottom
Control Type	Pneumatic
Rotation	Right [CW]
Weight	22.5 kg

EATON - FULLER RTO 11609 - 11613 / RT / RTX 7608 UNI PTO



COMPATIBLE VEHICLES

FIAT: 697, 619 IVECO: 150.24, 190.48 TURBO STAR , 240.30 P, 260.32 AH, 260.35 H, 300.32, 300.34, EZ 160, 180.24, 190.26, 190.35, 190.42, 198.38, 240.36, 330.35, 380 E 30 MAN: 19.362 F, 19390, 19361, 26321, 26240 FORD: CARGO 1624, CARGO 1824, CARGO 1924, CARGO 2420-D, CARGO 2424, CARGO 2428, CARGO 3424 BMC: FATIH 270, FATIH270.26

COMPATIBLE TRANSMISSIONS

MRT 11613, RT 11609 A, RT 15613 B, RT 6609, RTO 11609 , RTO 11613, RTO 11709, RTO 12709, RTO 14609 , RTO 609, RTO 613, RTO 6609, RTO 6610, RTO 6613 D, RTO 913, RTX 11509, RTX 14613, RTX 15613, RTX 15615, RTX 6610, RTX 9509, RTX 9513

SPECIFICATIONS

Product Code	55447603
Mounting Type	Bottom
Control Type	Pneumatic
Rotation	Right [CW]
Weight	17.5 kg

EATON - FULLER FS6406 - 5306 - 5406 - 6205 PTO



COMPATIBLE VEHICLES

RENAULT: MIDLUM 270 DCI, MIDLUM 270DCI HINO: VANCOUVER 338 FORD: CARGO 1721 US, CARGO 2428e US, F-650

COMPATIBLE TRANSMISSIONS

CC551, CL550, CL551, CL558, CX0611 / 9,01, FS 5106, FS 5306, FS 5406, FS 6205, FS 6206, FS 6306B/8,03, FS 6406 AE (RENAULT), FS 6406A/9,01

SPECIFICATIONS

Product Code	55548629
Mounting Type	Right Side
Control Type	Pneumatic
Rotation	Right [CW]
Weight	11 kg

FULLER FTS-16108LL PNEUMATIC UNI PTO



COMPATIBLE VEHICLES

FULLER

COMPATIBLE TRANSMISSIONS

FTS-16108LL

SPECIFICATIONS

Product Code	55548632
Mounting Type	Underside
Control Type	Pneumatic
Rotation	Right [CW]
Weight	18.5 kg



HINO LX06S UNI PNEUMATIC PTO



COMPATIBLE VEHICLES

HINOF61J/GD1J/GD1JEUD-BAX/ GD1JLUA-BAX/FG1JMUB-BGX/ FG1JPUB-BGX/ GH1JGUD-NGX GH1JMUANGX/ 51021/51017/51022/51322/ FT1JEUA-CGX/ FT1JGUA-CGX/ FC4JJUA-NNL/FT1JEUA-HGL

COMPATIBLE TRANSMISSIONS

LX06S / LX06X (6,515-8,190)

SPECIFICATIONS

Product Code	55958681
Mounting Type	Left Side
Control Type	Pneumatic
Rotation	Right [CW]
Weight	11.5 kg

HINO LJ06S PNEUMATIC UNI PTO



COMPATIBLE VEHICLES

HINO FG1J/GD1J/GD1JEUD-BAX/ GD1JLUA-BAX/FG1JMUB-BGX/FG1JPUBBGX/ GH1JGUD NGX/GH1JMUA-NGX HINO RK1JSKA / RK2HMLA / RK2HRLA / RK174LA / AK8JRKA-FCJ / AK3HRKA / AK1JRKA / AK174LA / AK176LA FE2620 / 51021 / 51221 / 51521 / 51221 / 51521 / 51224 / GD1JEPD-BAX / FG1JGPE-BGX / 51024 / 1221

COMPATIBLE TRANSMISSIONS

LJ06S (6,746-6,893-7,663-8,189-8,190-8,579)

SPECIFICATIONS

Product Code	55958688
Mounting Type	Left Side
Control Type	Pneumatic
Rotation	Right [CW]
Weight	13 kg

POWER TAKE OFF

HINO 33111 2065 08V0484 VACUUM CONTROL PTO

COMPATIBLE VEHICLES

HINO L-100 / FB 112 SA

COMPATIBLE TRANSMISSIONS

08V0484, 10Y0288, 11Y0563, 1990, 33111, 33121

SPECIFICATIONS

Product Code	55958627
Mounting Type	Left Side
Control Type	Vacuum
Rotation	Right [CW]
Weight	11 kg

HINO 33111 2065 08V0484 MECHANICAL CONTROL PTO

COMPATIBLE VEHICLES

HINO L-100 / FB 112 SA

COMPATIBLE TRANSMISSIONS

08V0484, 10Y0288, 11Y0563, 1990, 33111, 33121

SPECIFICATIONS

Product Code	55858605
Mounting Type	Left Side
Control Type	Mechanic
Rotation	Right [CW]
Weight	11.5 kg

HINO - DAIHATSU - TOYOTA RE61 MECHANICAL CONTROL ISO PTO

COMPATIBLE VEHICLES

HINO SERIES 300 MODEL 716-816

COMPATIBLE TRANSMISSIONS

RE 61 (6,370) - RE 62 AMT

SPECIFICATIONS

Product Code	55958630
Mounting Type	Left Side
Control Type	Mechanic
Rotation	Right [CW]
Weight	16 kg

HINO - DAIHATSU - TOYOTA M153 / M150 / M155 PNEUMATIC CONTROL PTO



COMPATIBLE VEHICLES

HINO: 300, DUTRO WU 412L DAIHATSU: V 20 D, V 20 T, V 21 M, V 22 H, V 23 P, V 23 T, V 24 P, V 24 T, V 30 D, V 30 T, V 32 H, V 34, V 50 D, V 50 J, V 51 M, V 52 H, V 53 P, V 53 T, V 53 V, V 53 W, V 54 P, V 54 T, V 54 W TOYOTA: DYNA H260, DYNA H200, DYNA H400

COMPATIBLE TRANSMISSIONS

4 VB, 5 VB

SPECIFICATIONS

Product Code	55958632
Mounting Type	Right Side
Control Type	Pneumatic
Rotation	Right [CW]
Weight	11 kg

HINO - DAIHATSU - TOYOTA M153 / M150 / M155 VACUUM CONTROL PTO



COMPATIBLE VEHICLES

HINO: 300, DUTRO WU 412L DAIHATSU: V 20 D, V 20 T, V 21 M, V 22 H, V 23 P, V 23 T, V 24 P, V 24 T, V 30 D, V 30 T, V 32 H, V 34, V 50 D, V 50 J, V 51 M, V 52 H, V 53 P, V 53 T, V 53 V, V 53 W, V 54 P, V 54 T, V 54 W TOYOTA: DYNA H260, DYNA H200, DYNA H400

COMPATIBLE TRANSMISSIONS

4 VB, 5 VB

SPECIFICATIONS

Product Code	55958631
Mounting Type	Right Side
Control Type	Vacuum
Rotation	Right [CW]
Weight	11 kg

HINO - DAIHATSU - TOYOTA M153 - 150 - 155 - 151 MECHANICAL CONTROL PTO



COMPATIBLE VEHICLES

HINO: 300, DUTRO WU 412L DAIHATSU: V 20 D, V 20 T, V 21 M, V 22 H, V 23 P, V 23 T, V 24 P, V 24 T, V 30 D, V 30 T, V 32 H, V 34, V 50 D, V 50 J, V 51 M, V 52 H, V 53 P, V 53 T, V 53 V, V 53 W, V 54 P, V 54 T, V 54 W TOYOTA: DYNA H260, DYNA H200, DYNA H400

COMPATIBLE TRANSMISSIONS

4 VB, 5 VB

SPECIFICATIONS

Product Code	55958604
Mounting Type	Right Side
Control Type	Mechanic
Rotation	Right [CW]
Weight	11.5 kg

POWER TAKE OFF

HINO RE50 MECHANICAL CONTROL ISO PTO**COMPATIBLE VEHICLES**

HINO DUTRO 130 HD -130 MD HINO SERIE 300 MODEL 514-616

COMPATIBLE TRANSMISSIONS

RE 50 (5,342)

SPECIFICATIONS

Product Code	55958633
Mounting Type	Left Side
Control Type	Mechanic
Rotation	Right [CW]
Weight	14 kg

ISUZU MOY9F / HINO 300 PNEUMATIC CONTROL PTO**COMPATIBLE VEHICLES**

ISUZU: L 35 EVOLUTION 4X4, NPR 200, NPR 250/300, NPR 400, NPR 250/400, NPR 85 G/L (6 TOM.), NPS 450 4X4, NPS 4X4, NQR Q75 SMOOTHER, NPR 66L, NPR 70, NPR 66P, NPR 75 LONG, NPR 8 LONG, NKR 250, NKR 66E, NQR 71PL, NQR 71R, NQR 71 PL, NPR 8, N10, NNR LONG HINO: 300, DUTRO WU 340

COMPATIBLE TRANSMISSIONS

MOY 4N, MOY 9F, MOY 9H, MOY MC, MOY MR, MOY NB, MOY NC, MOY PN, MOYCR, MOYGX, MOYMB, MOYMC, MOYMR, MOYNA, MYY 5A/5,315, MYY 5D, MYY 5R/5,315, MYY 5S, MYY 5S-(ISUZU 4X4), MYY 5T/5,315, MYY 6P/5,979, MYY 6P/5,990, MYY 6P/5,991, MYY 6P/5,992, MYY 6P/5, 993, MYY 6P/5,994, MYY 6S, MYY 6S/5,979

SPECIFICATIONS

Product Code	55958616
Mounting Type	Left Side
Control Type	Pneumatic
Rotation	Right[CW]
Weight	11 kg

ISUZU MOY9F/ HINO 300 VACUUM CONTROL PTO**COMPATIBLE VEHICLES**

ISUZU: L 35 EVOLUTION 4X4, NPR 200, NPR 250/300, NPR 400, NPR 250/400, NPR 85 G/L (6 TOM.), NPS 450 4X4, NPS 4X4, NQR Q75 SMOOTHER, NPR 66L, NPR 70, NPR 66P, NPR 75 LONG, NPR 8 LONG, NKR 250, NKR 66E, NQR 71PL, NQR 71R, NQR 71 PL, NPR 8, N10, NNR LONG HINO: 300, DUTRO WU 340

COMPATIBLE TRANSMISSIONS

MOY 4N, MOY 9F, MOY 9H, MOY MC, MOY MR, MOY NB, MOY NC, MOY PN, MOYCR, MOYGX, MOYMB, MOYMC, MOYMR, MOYNA, MYY 5A/5,315, MYY 5D, MYY 5R/5,315, MYY 5S, MYY 5S-(ISUZU 4X4), MYY 5T/5,315, MYY 6P/5,979, MYY 6P/5,990, MYY 6P/5,991, MYY 6P/5,992, MYY 6P/5, 993, MYY 6P/5,994, MYY 6S, MYY 6S/5,979

SPECIFICATIONS

Product Code	55958617
Mounting Type	Left Side
Control Type	Vacuum
Rotation	Right[CW]
Weight	11 kg

ISUZU MOY9F / HINO 300 MECHANICAL CONTROL PTO



COMPATIBLE VEHICLES

ISUZU: L 35 EVOLUTION 4X4, NPR 200, NPR 250/300, NPR 400, NPR 250/400, NPR 85 G/L (6 TOM.), NPS 450 4X4, NPS 4X4, NQR Q75 SMOOTHER, NPR 66L, NPR 70, NPR 66P, NPR 75 LONG, NPR 8 LONG, NKR 250, NKR 66E, NQR 71PL, NQR 71R, NQR 71 PL, NPR 8, N10, NNR LONG HINO: 300, DUTRO WU 340

COMPATIBLE TRANSMISSIONS

MOY 4N, MOY 9F, MOY 9H, MOY MC, MOY MR, MOY NB, MOY NC, MOY PN, MOYCR, MOYGX, MOYMB, MOYMC, MOYMR, MOYNA, MYY 5A/5,315, MYY 5D, MYY 5R/5,315, MYY 5S, MYY 5S-(ISUZU 4X4), MYY 5T/5,315, MYY 6P/5,979, MYY 6P/5,990, MYY 6P/5,991, MYY 6P/5,992, MYY 6P/5, 993, MYY 6P/5,994, MYY 6S, MYY 6S/5,979

SPECIFICATIONS

Product Code	55958603
Mounting Type	Left Side
Control Type	Mechanic
Rotation	Right(CW)
Weight	11.5 kg

HINO M009 ISO PNEUMATIC PTO



COMPATIBLE VEHICLES

HINO FG1J/GD1J/GD1JEUD-BAX/ GD1JLUA-BAX/FG1JMUB- BCX/ FG1J-PUB-BGX/GH1JGUD-NGX/ H1JMUA-NGX 51021 / 51017 / 51022 / 51322 / FT1JEUA-CGX / FT1JGUACGX / FC4JJUA-NNL / FT1JEUA-HGL / GT1JFUA / GT1JHUA HINO FC9J FC4JJRA JERA JLRA / FG8J

COMPATIBLE TRANSMISSIONS

M009

SPECIFICATIONS

Product Code	55958687
Mounting Type	Left Side
Control Type	Pneumatic
Rotation	-
Weight	11 kg

HINO M550 MECHANIC CONTROL UNI PTO



COMPATIBLE VEHICLES

HINO: XZU640L-HKMLN3 XZU650L-HKMMP3 HINO 300 SERIES DUTRO

COMPATIBLE TRANSMISSIONS

M550

SPECIFICATIONS

Product Code	55958689
Mounting Type	Left Side
Control Type	Mechanic
Rotation	Right (CW)
Weight	11,5 kg

POWER TAKE OFF

HINO MF06S UNI PNEUMATIC PTO



COMPATIBLE VEHICLES

HINO GHIJGUD / FGIJPUB / FGIJMUB / GDIJLUA / GDIJEUD / GHIJMUA

COMPATIBLE TRANSMISSIONS

MF06S

SPECIFICATIONS

Product Code	55958690
Mounting Type	Left Side
Control Type	Pneumatic
Rotation	Opposite of Input
Weight	10 kg



TURNER SPICER T5C 4001 - 4058 - 4060 PTO



COMPATIBLE VEHICLES

FORD: CARGO 1210 BMC: FATIH 162.22, FATIH 162.25, FATIH 170.25, YAVUZ 1850, YAVUZ 2200 DODGE: 700, 800, 900

COMPATIBLE TRANSMISSIONS

T5C 4001, T5C 4058, T5C 4060, T5C 4068, T5C 4084

SPECIFICATIONS

Product Code	55238601
Mounting Type	Right Side
Control Type	Pneumatic
Rotation	Right[CW]
Weight	11 kg

TURNER SPICER T5A 2801 - 2803 - 2811 - 3016 PTO



COMPATIBLE VEHICLES

FORD: CARGO 1210, CARGO 1212, CARGO 1312 BMC: 1304, 1840 ASHOK LEYLAND: 302

COMPATIBLE TRANSMISSIONS

T5A 2801, T5A 2803, T5A 2811, T5A 3016, T5A 3017, T5A 3047, T5A 3058, T5A 3068, T5A 3158

SPECIFICATIONS

Product Code	55238602
Mounting Type	Right Side
Control Type	Pneumatic
Rotation	Right[CW]
Weight	11 kg

MACK T 2180 - 2130 - 2090 - 2050 - 2060 - 2070 - 2080 - 2100



COMPATIBLE VEHICLES

MACK: PRACO

COMPATIBLE TRANSMISSIONS

T 2050, T 2060, T 2070, T 2080, T 2090, T 2100, T 2130, T 2180

SPECIFICATIONS

Product Code	55158603
Mounting Type	Right Side
Control Type	Pneumatic
Rotation	Right [CW]
Weight	17.5 kg



MAZ Z:22 PTO

COMPATIBLE VEHICLES

MAZ: 54326, 54323, 64226, 64229

COMPATIBLE TRANSMISSIONS

JMZ 236P



SPECIFICATIONS

Product Code	55168601
Mounting Type	Right Side
Control Type	Pneumatic
Rotation	Right [CW]
Weight	11.5 kg

MAZ Z:26 PTO

COMPATIBLE VEHICLES

MAZ: 54326, 64226, 64229

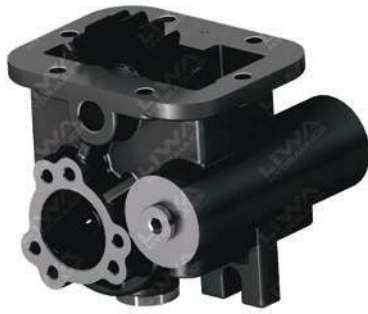
COMPATIBLE TRANSMISSIONS

26 GEAR [TYPE2]



SPECIFICATIONS

Product Code	55168602
Mounting Type	Right Side
Control Type	Pneumatic
Rotation	Right [CW]
Weight	11.5 kg

KAMAZ TYPE A UNI PTO**COMPATIBLE VEHICLES**

KAMAZ: 53228 TURBO, 5325 TURBO, 55111

COMPATIBLE TRANSMISSIONS

14-100 (5 MARCE), 15-100 (10 MARCE)

SPECIFICATIONS

Product Code	55188601
Mounting Type	Right Side
Control Type	Pneumatic
Rotation	Left (CCW)
Weight	11.5 kg

KAMAZ TYPE A ISO PTO**COMPATIBLE VEHICLES**

KAMAZ: 53228 TURBO, 5325 TURBO, 55111

COMPATIBLE TRANSMISSIONS

14-100 (5 MARCE), 15-100 (10 MARCE)

SPECIFICATIONS

Product Code	55188605
Mounting Type	Right Side
Control Type	Pneumatic
Rotation	Left (CCW)
Weight	11.5 kg

KAMAZ TYPE B UNI PTO**COMPATIBLE VEHICLES**

KAMAZ: 53228 TURBO, 5325 TURBO, 55111

COMPATIBLE TRANSMISSIONS

14-100 (5 MARCE), 15-100 (10 MARCE)

SPECIFICATIONS

Product Code	55188602
Mounting Type	Right Side
Control Type	Pneumatic
Rotation	Right (CW)
Weight	11.5 kg



KAMAZ TYPE B ISO PTO



COMPATIBLE VEHICLES

KAMAZ: 53228 TURBO, 5325 TURBO, 55111

COMPATIBLE TRANSMISSIONS

14-100 (5 MARCE), 15-100 (10 MARCE)

SPECIFICATIONS

Product Code	55188606
Mounting Type	Left Side
Control Type	Pneumatic
Rotation	Right (CW)
Weight	11.5 kg

KAMAZ DOUBLE OUTPUT PTO



COMPATIBLE VEHICLES

KAMAZ: 53228 TURBO, 5325 TURBO, 55111

COMPATIBLE TRANSMISSIONS

14-100 (5 MARCE), 15-100 (10 MARCE)

SPECIFICATIONS

Product Code	55188603
Mounting Type	Right - Left Side
Control Type	Pneumatic
Rotation	Left (CCW)
Weight	12 kg



FOTON PNEUMATIC CONTROL PTO



COMPATIBLE VEHICLES

FOTON

COMPATIBLE TRANSMISSIONS

FOTON: 1039

SPECIFICATIONS

Product Code	55198601
Mounting Type	Right Side
Control Type	Pneumatic
Rotation	Right (CW)
Weight	12 kg

FOTON VACUUM CONTROL PTO



COMPATIBLE VEHICLES

FOTON

COMPATIBLE TRANSMISSIONS

FOTON: 1039

SPECIFICATIONS

Product Code	55198602
Mounting Type	Right Side
Control Type	Vacuum
Rotation	Right (CW)
Weight	12 kg

FOTON MECHANICAL CONTROL PTO



COMPATIBLE VEHICLES

FOTON

COMPATIBLE TRANSMISSIONS

FOTON: 1039

SPECIFICATIONS

Product Code	55198603
Mounting Type	Right Side
Control Type	Mechanic
Rotation	Right (CW)
Weight	12 kg



LIAZ SINGLE GEAR PTO WITH CARDAN SHAFT



COMPATIBLE VEHICLES

LIAZ

COMPATIBLE TRANSMISSIONS

SPECIFICATIONS

Product Code	55138601
Mounting Type	Rear
Control Type	Pneumatic
Rotation	Right (CW)
Weight	8.5 kg

LIWAZ DOUBLE GEAR CLOSED TYPE PTO WITH CARDAN SHAFT



COMPATIBLE VEHICLES

LIWAZ

COMPATIBLE TRANSMISSIONS

SPECIFICATIONS

Product Code	55138603
Mounting Type	Rear
Control Type	Pneumatic
Rotation	Left (CCW)
Weight	16 kg



FIAT E80 / E100 PTO



COMPATIBLE VEHICLES

FIAT: 169, 619, 673, 684, 690, 697

COMPATIBLE TRANSMISSIONS

E100, E80

SPECIFICATIONS

Product Code	55128601
Mounting Type	Right Side
Control Type	Pneumatic
Rotation	Right (CW)
Weight	11.7 kg

FIAT 682 PTO



COMPATIBLE VEHICLES

FIAT 682

COMPATIBLE TRANSMISSIONS

FIAT

SPECIFICATIONS

Product Code	55128602
Mounting Type	Right Side
Control Type	Pneumatic
Rotation	Right (CW)
Weight	14 kg

ALLISON 4430 - 3500 - 3000 AT ALUMINIUM ISO PTO



COMPATIBLE VEHICLES

-

COMPATIBLE TRANSMISSIONS

ALLISON 4430 / 3500 / 3000 AT

SPECIFICATIONS

Product Code	55958655
Mounting Type	Left & Right Side
Control Type	Oil Pressure
Rotation	Left (CCW)
Weight	17 kg

ALLISON 2500 AT ISO PTO



COMPATIBLE VEHICLES

-

COMPATIBLE TRANSMISSIONS

ALLISON 2500 AT

SPECIFICATIONS

Product Code	55958658
Mounting Type	Left & Right Side
Control Type	Pneumatic
Rotation	Left (CCW)
Weight	25 kg

SHAANXI 9JS PTO



COMPATIBLE VEHICLES

Dongfeng / Yuejin / Faw / Foton / Foton / Forland / DFAC / JAC / Yue Jin / JMC / Isuzu Faw / CNHTC / Bei Ben / CIMC / Hong Yan / CAMC / Shaanxi / Great Wall / Jin Bei / King Long / Golden Dragon / Yutong / HAFEI / CHANA / WULING

COMPATIBLE TRANSMISSIONS

9JS

SPECIFICATIONS

Product Code	55958660
Mounting Type	Rear
Control Type	Pneumatic
Rotation	Left (CCW)
Weight	11 kg

SHAANXI 12JS PTO



COMPATIBLE VEHICLES

Dongfeng / Yuejin / Faw / Foton / Foton / Forland / DFAC / JAC / Yue Jin / JMC / Isuzu Faw / CNHTC / Bei Ben / CIMC / Hong Yan / CAMC / Shaanxi / Great Wall / Jin Bei / King Long / Golden Dragon / Yutong / HAFEI / CHANA / WULING

COMPATIBLE TRANSMISSIONS

12JS

SPECIFICATIONS

Product Code	55958661
Mounting Type	Rear
Control Type	Pneumatic
Rotation	Left (CCW)
Weight	11 kg

POWER TAKE OFF

Cardan Shaft



Liwa Hydraulic Cardan Shaft plays a critical role in modern industries by ensuring maximum efficiency and durability in power transmission. With its high torque capacity, long-lasting performance, and flexible design, Liwa Hydraulic Cardan Shaft is a reliable solution for sectors such as agriculture, construction, and heavy industry. Liwa Hydraulic continues to shape the future of industries with its innovative and high-quality solutions.



cardan shaft

ZF 5 S 110 CARDAN SHAFT (L : 167 MM)



SPECIFICATIONS

Product Code	56149549
Length	167 mm
Weight	1.6 kg

COMPATIBLE VEHICLES

MAN: 26210, 26220, 32.280 DF, 32.321 DF, 32320 MERCEDES: 2232

ZF 9 S 75 CARDAN SHAFT (L : 248 MM)



SPECIFICATIONS

Product Code	56149501
Length	248 mm
Weight	4.2 kg

COMPATIBLE VEHICLES

BMC: PRO 522, PRO 617, PRO 620, PRO 622, PRO 625, PRO 822 CHRYSLER: FARGO 19.260, FARGO 26.260, FARGO 26.265 IVECO: 120 E 18, 150 E 18-K, 160 E22, 160 E 25, 180 E 25-K, 180 E 30-K MERCEDES: 2521, 2524, 3224, 823, 817, 917, 923, 1217, 1317, 1826, ATEGO 1323, ATEGO 1517 VOLVO: FL 618

ZF 9 S 109 (12.91) CARDAN SHAFT (L : 288 MM)



SPECIFICATIONS

Product Code	56149502
Length	288 mm
Weight	4.6 kg

COMPATIBLE VEHICLES

BMC: PRO 827, PRO 832, PRO 935, FATİH 270; FORD: CARGO 1830, CARGO 2530, CARGO 3226, CARGO 3227C, CARGO 3227S, CARGO 2527, CARGO 3530, CARGO 3230C, CARGO 3230S, CARGO 3240, CARGO 4030, CARGO 4050, CARGO 1832, CARGO 1838, CARGO 3232S, CARGO 2532; IVECO: EURO CARGO 180 E 28; MAN: 19360, 32270; RENAULT: 280.

ZF 9 S 109 (12.92) CARDAN SHAFT (L : 288 MM)



SPECIFICATIONS

Product Code	56149503
Length	288 mm
Weight	4.6 kg

COMPATIBLE VEHICLES

DAF: CF 75.270, CF 75.300; FORD: CARGO 1827, CARGO 2527, CARGO 2626; MAN: 17192, 18220, 19270, 25270, 26230, 26270; STEYR: S18, S21, S24, S28, S29, S31

ZF 9 S 109 (13.53) CARDAN SHAFT (L : 288 MM)



SPECIFICATIONS

Product Code	56149504
Length	288 mm
Weight	4.8 kg

COMPATIBLE VEHICLES

DAF: CF 75.330; FORD: CARGO 3226, CARGO 2530; ISUZU: FVM 23, FVZ 23, FVR 23, FTR 800, FVR 900, FTM 1200, FVZ 1700; MAN: 17232, 19230, 19340, 26342; RENAULT: PREMIUM 300, PREMIUM 320, PREMIUM 370

ZF 16 S 130-160 TRIANGLE CARDAN SHAFT (L : 213 MM)



SPECIFICATIONS

Product Code	56149505
Length	213 mm
Weight	1.4 kg

COMPATIBLE VEHICLES

DAF: 95330, 95400, FA 95.400, FA 95.330, 45 LF 150, 45 LF 170, LEYLAND: 50.130, 50.150, 50.160, 50.180, 60.180, 60.210, 65.180, 65.210, CF 85.330, FA 3300 DKX, CF 75.270, CF 75.300, CF 85.400, FA 95.500, CF 85.410, CF 75.310, CF 85.360; IVECO: 240.30 P, 240.38 P, 330.42 HT - 6x4; MAN: 32372, 33322, 33372, 33422, 38372, 38422, 16181, 19280, 19422, 25372, 26280, 26321, 32281, 32365, 33281, 16281, 19332; MERCEDES: 1933 LS, 1935, 1938, 2228, 2433, 2624, 2628, 2633, 4028, 2528, 2232

ZF 16 S 151-221 CARDAN SHAFT (L : 213 MM)



SPECIFICATIONS

Product Code	56149507
Length	213 mm
Weight	1.4 kg

COMPATIBLE VEHICLES

DAF: CF 85.330 MAN: TGA 41.480, TGA 18.460, 14463, TGA 39.390, TGS 41.450, TGS 41.480, 19430, 39390, TGA 18.460A, TGS 41.540

CARDAN SHAFT

ZF 16 S 235 CARDAN SHAFT (L : 235 MM)**SPECIFICATIONS**

Product Code	56149513
Length	235 mm
Weight	1.6 kg

COMPATIBLE VEHICLES

MAN/IVECO/DAF/RENAULT/FOR TRUCKS WITH RETARDER

ZF 16 S 235 TRIANGLE CARDAN SHAFT (L : 235 MM)**SPECIFICATIONS**

Product Code	56149514
Length	235 mm
Weight	1.6 kg

COMPATIBLE VEHICLES

MAN/IVECO/DAF/RENAULT/FOR TRUCKS WITH RETARDER

ZF 16 S 235 CARDAN SHAFT WITH PLATE (L : 251 MM)**SPECIFICATIONS**

Product Code	56149532
Length	251 mm
Weight	3.6 kg

COMPATIBLE VEHICLES

MAN/IVECO/DAF/RENAULT/FOR TRUCKS WITH RETARDER

ZF 16 S 251 (INTARDER) CARDAN SHAFT (L : 250 MM)**SPECIFICATIONS**

Product Code	56149508
Length	250 mm
Weight	1.6 kg

COMPATIBLE VEHICLES

DAF: CF 85.330 MAN: TGA 41.480, TGA 18.460, 14463, TGA 39.390, TGS 41.450, TGS 41.480, 19430, 39390, TGA 18.460A, TGS 41.540

ZF 16 S 251 TRIANGLE CARDAN SHAFT (L : 250 MM)**SPECIFICATIONS**

Product Code	56149506
Length	250 mm
Weight	1.6 kg

COMPATIBLE VEHICLES

MAN/IVECO/DAF/RENAULT/FOR TRUCKS WITH RETARDER

ZF 16 S 251 CARDAN SHAFT WITH PLATE (L : 265 MM)**SPECIFICATIONS**

Product Code	56149510
Length	265 mm
Weight	3.4 kg

COMPATIBLE VEHICLES

DAF: CF 85.330 MAN: TGA 41.480, TGA 18.460, 14463, TGA 39.390, TGS 41.450, TGS 41.480, 19430, 39390, TGA 18.460A, TGS 41.540

ZF 16 S 259.5 CARDAN SHAFT (L : 259.3 MM)**SPECIFICATIONS**

Product Code	56149515
Length	259.3 mm
Weight	1.6 kg

COMPATIBLE VEHICLES

MAN/IVECO/DAF/RENAULT/FOR TRUCKS WITH RETARDER

ZF 16 S 280 CARDAN SHAFT (L : 284 MM)



SPECIFICATIONS

Product Code	56149516
Length	284mm
Weight	1.8 kg

COMPATIBLE VEHICLES

MAN/IVECO/DAF/RENAULT/FOR TRUCKS WITH RETARDER

ZF 16 S 280 TRIANGLE CARDAN SHAFT (L : 280 MM)



SPECIFICATIONS

Product Code	56149517
Length	280 mm
Weight	1.8 kg

COMPATIBLE VEHICLES

MAN/IVECO/DAF/RENAULT/FOR TRUCKS WITH RETARDER

ZF 16 S 280 CARDAN SHAFT WITH PLATE (L : 300 MM)



SPECIFICATIONS

Product Code	56149533
Length	300 mm
Weight	3.6 kg

COMPATIBLE VEHICLES

MAN/IVECO/DAF/RENAULT/FOR TRUCKS WITH RETARDER

ZF 16 S 272 CARDAN SHAFT WITHOUT PLATE (L : 272 MM)



SPECIFICATIONS

Product Code	56149509
Length	272 mm
Weight	4.6 kg

COMPATIBLE VEHICLES

DAF: CF 85.330 FORD: CARGO 1846 OT IVECO: 380 OT
MAN: 14463, 19430, 39390, TGA 18.460A, TGA 19.460, TGA 41.480

ZF AS TRONIC CARDAN SHAFT WITH PLATE (L : 289 MM)



SPECIFICATIONS

Product Code	56149534
Length	289 mm
Weight	3.4 kg

COMPATIBLE VEHICLES

DAF: CF 85.330 FORD: CARGO 1846 OT IVECO: 380 OT
MAN: 14463, 19430, 39390, TGA 18.460A, TGA 19.460, TGA 41.480

ZF 12 AS 1420 CARDAN SHAFT (L : 337 MM)



SPECIFICATIONS

Product Code	56149548
Length	337 mm
Weight	4.8 kg

COMPATIBLE VEHICLES

MAN/IVECO/DAF/RENAULT/FOR TRUCKS WITH RETARDER

ZF TRAXON CARDAN SHAFT WITH PLATE (L : 287 MM)



SPECIFICATIONS

Product Code	56149660
Length	287 mm
Weight	9.5 kg

COMPATIBLE VEHICLES

FORD: CARGO 1842 OT, CARGO 1848 OT, CARGO 3242, CARGO 2542 OT, CARGO 2642 OT, CARGO 4142 OT, CARGO 1846 OT NONAME: NONAME

CARDAN SHAFT

ZF TRAXON CARDAN SHAFT WITH ALUMINIUM PLATE (L : 287 MM)



SPECIFICATIONS

Product Code	56149660A
Length	287 mm
Weight	2.9 kg

COMPATIBLE VEHICLES

FORD: CARGO 1842 OT, CARGO 1848 OT, CARGO 3242, CARGO 2542 OT, CARGO 2642 OT, CARGO 4142 OT, CARGO 1846 OT NONAME: NONAME

MERCEDES ACTROS (SHORT) CARDAN SHAFT (L : 252 MM)



SPECIFICATIONS

Product Code	56149512
Length	252 mm
Weight	1.8 kg

COMPATIBLE VEHICLES

MERCEDES ACTROS: 1838 LS,1844,1850,1935/45,1948 S, 2038, 2435, 2427, 2544, 2550, 2638 S, 2644, 2650, 3235, 3238, 3535, 1856, 1857, 2548, 2553, 2557,2643, 2648, 3443 K, 4140 K, 4143 K, 1729, 1735, 1827, 1834, 1838, 1843, 1848, 1929, 1935, 2429, 2527, 2531, 2534, 2629, 2631, 2635, 2638, 3229, 3234, 1831, 1835,1840, 1934, 1938, 1953, 2044, 2050, 3031, 3331, 3335,3340, 2031, 2040, 3548,3553, 3557, 2641, 3244, 3443 K/ AXOR: 1831, 1835, 1840, 2031, 2040, 2531, 2535,2540, 2635 K, 2640 K, 3231, 3235, 3240 / ATRON 2729 6X4

MERCEDES ACTROS (SHORT) CARDAN SHAFT WITH ALUMINIUM PLATE (L : 268 MM)



SPECIFICATIONS

Product Code	56149512A
Length	268 mm
Weight	3.7 kg

COMPATIBLE VEHICLES

MERCEDES ACTROS: 1838 LS,1844,1850,1935/45,1948 S, 2038, 2435, 2427, 2544, 2550, 2638 S, 2644, 2650, 3235, 3238, 3535, 1856, 1857, 2548, 2553, 2557,2643, 2648, 3443 K, 4140 K, 4143 K, 1729, 1735, 1827, 1834, 1838, 1843, 1848, 1929, 1935, 2429, 2527, 2531, 2534, 2629, 2631, 2635, 2638, 3229, 3234, 1831, 1835,1840, 1934, 1938, 1953, 2044, 2050, 3031, 3331, 3335,3340, 2031, 2040, 3548,3553, 3557, 2641, 3244, 3443 K/ AXOR: 1831, 1835, 1840, 2031, 2040, 2531, 2535,2540, 2635 K, 2640 K, 3231, 3235, 3240 / ATRON 2729 6X4

MERCEDES ACTROS B TYPE (SHORT) CARDAN SHAFT WITH PLATE (L: 268 MM)



SPECIFICATIONS

Product Code	56149539
Length	268 mm
Weight	4.2 kg

COMPATIBLE VEHICLES

MERCEDES ACTROS: 1838 LS,1844,1850,1935/45,1948 S, 2038, 2435, 2427, 2544, 2550, 2638 S, 2644, 2650, 3235, 3238, 3535, 1856, 1857, 2548, 2553, 2557,2643, 2648, 3443 K, 4140 K, 4143 K, 1729, 1735, 1827, 1834, 1838, 1843, 1848, 1929, 1935, 2429, 2527, 2531, 2534, 2629, 2631, 2635, 2638, 3229, 3234, 1831, 1835,1840, 1934, 1938, 1953, 2044, 2050, 3031, 3331, 3335,3340, 2031, 2040, 3548,3553, 3557, 2641, 3244, 3443 K/ AXOR: 1831, 1835, 1840, 2031, 2040, 2531, 2535,2540, 2635 K, 2640 K, 3231, 3235, 3240 / ATRON 2729 6X4

MERCEDES ACTROS (LONG) CARDAN SHAFT (L : 275 MM)



SPECIFICATIONS

Product Code	56149511
Length	275 mm
Weight	2 kg

COMPATIBLE VEHICLES

MERCEDES ACTROS: 1838 LS,1844,1850,1935/45,1948 S, 2038, 2435, 2427, 2544, 2550, 2638 S, 2644, 2650, 3235, 3238, 3535, 1856, 1857, 2548, 2553, 2557,2643, 2648, 3443 K, 4140 K, 4143 K, 1729, 1735, 1827, 1834, 1838, 1843, 1848, 1929, 1935, 2429, 2527, 2531, 2534, 2629, 2631, 2635, 2638, 3229, 3234, 1831, 1835,1840, 1934, 1938, 1953, 2044, 2050, 3031, 3331, 3335,3340, 2031, 2040, 3548,3553, 3557, 2641, 3244, 3443 K/ AXOR: 1831, 1835, 1840, 2031, 2040, 2531, 2535,2540, 2635 K, 2640 K, 3231, 3235, 3240 / ATRON 2729 6X4

MERCEDES ACTROS (LONG) CARDAN SHAFT WITH ALUMINIUM PLATE (L : 291 MM)



SPECIFICATIONS

Product Code	56149511A
Length	291 mm
Weight	3.8 kg

COMPATIBLE VEHICLES

MERCEDES ACTROS: 1838 LS,1844,1850,1935/45,1948 S, 2038, 2435, 2427, 2544, 2550, 2638 S, 2644, 2650, 3235, 3238, 3535, 1856, 1857, 2548, 2553, 2557,2643, 2648, 3443 K, 4140 K, 4143 K, 1729, 1735, 1827, 1834, 1838, 1843, 1848, 1929, 1935, 2429, 2527, 2531, 2534, 2629, 2631, 2635, 2638, 3229, 3234, 1831, 1835,1840, 1934, 1938, 1953, 2044, 2050, 3031, 3331, 3335,3340, 2031, 2040, 3548,3553, 3557, 2641, 3244, 3443 K/ AXOR: 1831, 1835, 1840, 2031, 2040, 2531, 2535,2540, 2635 K, 2640 K, 3231, 3235, 3240 / ATRON 2729 6X4

MERCEDES ACTROS B TYPE (LONG) CARDAN SHAFT WITH PLATE (L : 291 MM)



SPECIFICATIONS

Product Code	56149538
Length	291 mm
Weight	4.2 kg

COMPATIBLE VEHICLES

MERCEDES ACTROS: 1838 LS,1844,1850,1935/45,1948 S, 2038, 2435, 2427, 2544, 2550, 2638 S, 2644, 2650, 3235, 3238, 3535, 1856, 1857, 2548, 2553, 2557,2643, 2648, 3443 K, 4140 K, 4143 K, 1729, 1735, 1827, 1834, 1838, 1843, 1848, 1929, 1935, 2429, 2527, 2531, 2534, 2629, 2631, 2635, 2638, 3229, 3234, 1831, 1835,1840, 1934, 1938, 1953, 2044, 2050, 3031, 3331, 3335,3340, 2031, 2040, 3548,3553, 3557, 2641, 3244, 3443 K/ AXOR: 1831, 1835, 1840, 2031, 2040, 2531, 2535,2540, 2635 K, 2640 K, 3231, 3235, 3240 / ATRON 2729 6X4

MERCEDES ACTROS 19,35 CARDAN SHAFT (L : 252 MM)



SPECIFICATIONS

Product Code	56149540
Length	252 mm
Weight	3.2 kg

COMPATIBLE VEHICLES

MERCEDES 19,35

MERCEDES AQUA G281 CARDAN SHAFT WITH PLATE (L: 310MM)



SPECIFICATIONS

Product Code	56149521
Length	310 mm
Weight	3.9 kg

COMPATIBLE VEHICLES

MERCEDES AQUA G281

MERCEDES UNIMOG CARDAN SHAFT (L : 205 MM)



SPECIFICATIONS

Product Code	56149520
Length	205 mm
Weight	1.2 kg

COMPATIBLE VEHICLES

MERCEDES: 1217 S20, 1222, 1413, 1419, 1422, 1424, 1425, 1613 K, 1617, 1619, 1624, 1717 R, 1919, 1919 AK, 1922, 2219, 2419, 2224, UNIMOG

SCANIA GR 875 CARDAN SHAFT (L : 509 MM)



SPECIFICATIONS

Product Code	56149545
Length	509 mm
Weight	3.2 kg

COMPATIBLE VEHICLES

SCANIA: EURO 5 - R500

SCANIA GRS 905 CARDAN SHAFT (L : 612 MM)



SPECIFICATIONS

Product Code	56149544
Length	612 mm
Weight	3.2 kg

COMPATIBLE VEHICLES

SCANIA: EURO 5 - R420, EURO 5 - G420

SCANIA G25CM CARDAN SHAFT WITH PLATE



SPECIFICATIONS

Product Code	56149552
Length	
Weight	3.2 kg

COMPATIBLE VEHICLES

G25CM, G33CM1

SCANIA G25CM-R (RETARDER) CARDAN SHAFT WITH PLATE



SPECIFICATIONS

Product Code	56149550
Length	
Weight	3.2 kg

COMPATIBLE VEHICLES

G25CM-R, G33CM1-R

CARDAN SHAFT

RENAULT - VOLVO AUTOMATIC CARDAN SHAFT (L : 216 MM)**SPECIFICATIONS**

Product Code	56149546
Length	216 mm
Weight	1.4 kg

COMPATIBLE VEHICLES

RENAULT: PREMIUM 440
VOLVO: FH (02/2006), FH12, FM12, F 9

RENAULT - VOLVO AUTOMATIC CARDAN SHAFT WITH PLATE (L : 231 MM)**SPECIFICATIONS**

Product Code	56149537
Length	231 mm
Weight	1.4 kg

COMPATIBLE VEHICLES

RENAULT: PREMIUM 440
VOLVO: FH (02/2006), FH12, FM12, F 9

VOLVO SR 1400 - 2400 CARDAN SHAFT (L : 275 MM)**SPECIFICATIONS**

Product Code	56149531
Length	275 mm
Weight	2.5 kg

COMPATIBLE VEHICLES

VOLVO: FL 616 4X2, FL 7 4X2, F 10, F 12 FS 6X4, F 16, FH 12340, FH 12380, FH 12420, FH 16470, FH 16520, FH 16560, FH 16610, FM 12340, FM 12380, FM 12420, FM 10360, FM 10320, FM 7250, FM 7290, FM 12460, FM 12500, FM 12380 8X4, FM 12420 8X4, N10 4X2, N 12, FL 10, NL 12, FH 16, FH 12, FM 12, FL 616, FL 7, FM 7

VOLVO SR 1400 - 2400 CARDAN SHAFT WITH PLATE (L : 291 MM)**SPECIFICATIONS**

Product Code	56149536
Length	291 mm
Weight	3.4 kg

COMPATIBLE VEHICLES

VOLVO: FL 616 4X2, FL 7 4X2, F 10, F 12 FS 6X4, F 16, FH 12340, FH 12380, FH 12420, FH 16470, FH 16520, FH 16560, FH 16610, FM 12340, FM 12380, FM 12420, FM 10360, FM 10320, FM 7250, FM 7290, FM 12460, FM 12500, FM 12380 8X4, FM 12420 8X4, N10 4X2, N 12, FL 10, NL 12, FH 16, FH 12, FM 12, FL 616, FL 7, FM 7

VOLVO SR 1400 - 2400 (SHORT) CARDAN SHAFT (L : 261 MM)**SPECIFICATIONS**

Product Code	56149541
Length	261 mm
Weight	2.4 kg

COMPATIBLE VEHICLES

VOLVO: FL 616 4X2, FL 7 4X2, F 10, F 12 FS 6X4, F 16, FH 12340, FH 12380, FH 12420, FH 16470, FH 16520, FH 16560, FH 16610, FM 12340, FM 12380, FM 12420, FM 10360, FM 10320, FM 7250, FM 7290, FM 12460, FM 12500, FM 12380 8X4, FM 12420 8X4, N10 4X2, N12, FL 10, NL 12, FH 16, FH 12, FM 12, FL 616, FL 7, FM 7

VOLVO SR 1400 - 2400 (SHORT) CARDAN SHAFT WITH PLATE (L: 277MM)**SPECIFICATIONS**

Product Code	56149551
Length	277 mm
Weight	3.4 kg

COMPATIBLE VEHICLES

VOLVO: FL 616 4X2, FL 7 4X2, F 10, F 12 FS 6X4, F 16, FH 12340, FH 12380, FH 12420, FH 16470, FH 16520, FH 16560, FH 16610, FM 12340, FM 12380, FM 12420, FM 10360, FM 10320, FM 7250, FM 7290, FM 12460, FM 12500, FM 12380 8X4, FM 12420 8X4, N10 4X2, N12, FL 10, NL 12, FH 16, FH 12, FM 12, FL 616, FL 7, FM 7

VOLVO SR 1400 - 2400 (INTARDER) CARDAN SHAFT (L : 292 MM)**SPECIFICATIONS**

Product Code	56149530
Length	292 mm
Weight	2.6 kg

COMPATIBLE VEHICLES

VOLVO: FL 10, NL 12, FH 16, FH 12, FM 12, FL 616, FL 7, F 10, F 16, N 12, FM 7

VOLVO SR 1400 - 2400 (INTARDER) CARDAN SHAFT WITH PLATE (L : 307 MM)



SPECIFICATIONS

Product Code	56149535
Length	307 mm
Weight	3.6 kg

COMPATIBLE VEHICLES

VOLVO: FL 10, NL 12, FH 16, FH 12, FM 12, FL 616, FL 7, F 10, F 16, N 12, FM 7

VOLVO SR 62 CARDAN SHAFT (L : 136 MM)



SPECIFICATIONS

Product Code	56149542
Length	136 mm
Weight	1.8 kg

COMPATIBLE VEHICLES

VOLVO: F12.20, F12.21, F12.24, F 7, F 10, F 88, F 1020, F 1225, N 10, N 12

VOLVO SR 70-72 CARDAN SHAFT (L : 130 MM)



SPECIFICATIONS

Product Code	56149543
Length	130 mm
Weight	1.4 kg

COMPATIBLE VEHICLES

VOLVO: F12.20 A40 INTERCOOLER 4X2, F12.24 6X2, N12 INTERCOOLER 4X2, TF 12 INTERCOOLER 4X2, TN 12 4X2, TN 12 6X4 MARK II, FL 7, FL 10, F 10, N 12, N 10, NL 12

IVECO 2846 CARDAN SHAFT (L : 182.3 MM)



SPECIFICATIONS

Product Code	56149527
Length	182.3 mm
Weight	1.4 kg

COMPATIBLE VEHICLES

IVECO: 79.13, 65.15, 100.13, 135.14

IVECO 2870 CARDAN SHAFT (L : 206 MM)



SPECIFICATIONS

Product Code	56149526
Length	206 mm
Weight	0.8 kg

COMPATIBLE VEHICLES

IVECO EUROARGO: ML 110 E 21 TECTOR, ML 120 E 18 TECTOR, ML130 E 18 TECTOR, ML 150 E 18 TECTOR, 120.18, 120.23, 130.15, 130.18, 130.23, 150.18, 150.23, 170.18, 170.23, 180 E 18, 120 E 18, 180 E 25, 150 E 18

FULLER RTSO 12316 - 17316 CARDAN SHAFT (L : 180 MM)



SPECIFICATIONS

Product Code	56149524
Length	180 mm
Weight	2.4 kg

COMPATIBLE VEHICLES

MAN: F2000 32.463, F2000 35.463, 19314, 19364, 19414, 19464, 18403, 35403, 21314, 24414, 27364, 35314, 37464, 41414, 41603, 41654, 50414

FULLER RTSO 12316 - 17316 (INTARDER) CARDAN SHAFT (L : 275 MM)



SPECIFICATIONS

Product Code	56149525
Length	275 mm
Weight	2.2 kg

COMPATIBLE VEHICLES

MAN: 21314, 24414, 27364, 35314, 37464, 41414, 41603, 41654, 50414, 19314, 19364, 19414, 19464, 18403, 35403

LIAZ CARDAN SHAFT (L : 219.5 MM)



SPECIFICATIONS

Product Code	56149547
Length	219.5 mm
Weight	2.2 kg

COMPATIBLE VEHICLES

LIAZ

Telescopic Cylinders

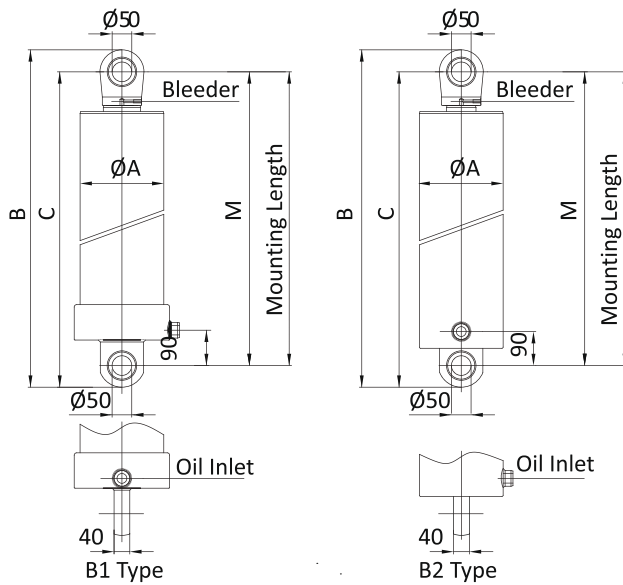


Telescopic cylinders hide lifting power in a compact body through multiple nested stages. Each stage extends sequentially to deliver smooth, controlled movement for lifting applications. Built for performance and long service life, Liwa Hydraulics telescopic cylinders are ideal for equipment needing maximum reach and lifting power in limited space.



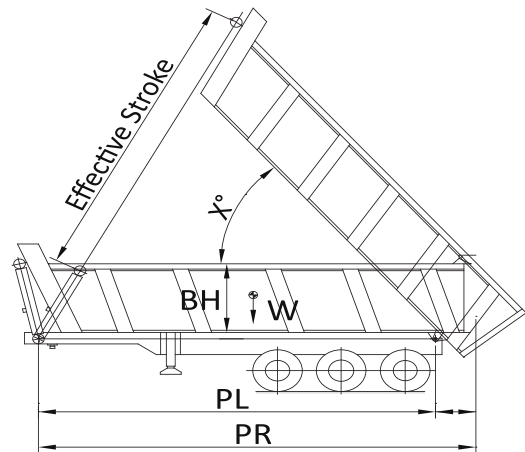
telescopic cylinders

FRONT TYPE TELESCOPIC CYLINDER B TYPE



SPECIFICATIONS	
Diameter	Thrust Force
190 bar	
mm	ton
212	68,4
185	52,1
160	39,0
135	27,7
115	20,1
95	13,7
75	8,6
55	4,6

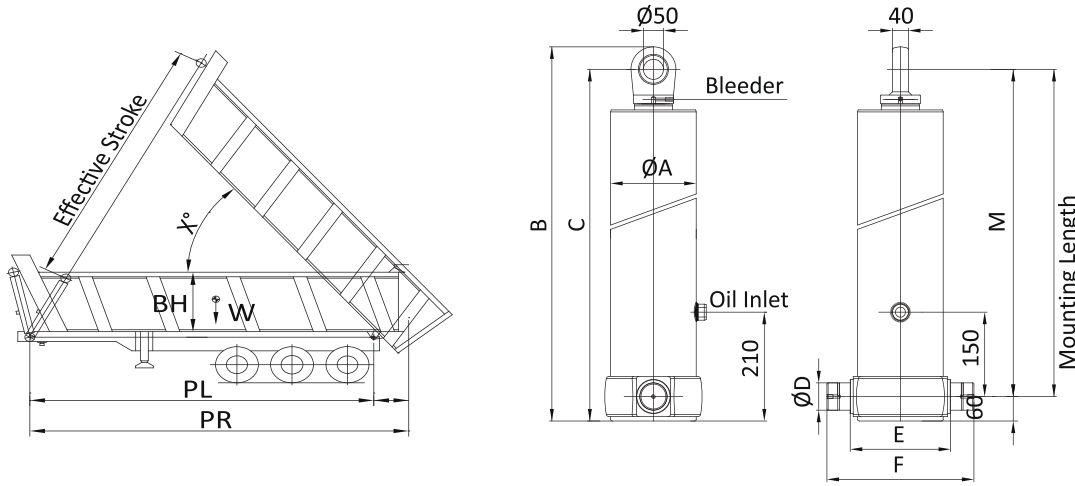
All cylinder materials are DIN 2391 St 52 BK+S.
 Working pressure is 170 bar.
 Maximum working pressure is 190 bar.
 All stage surfaces are 50 micron hard chrome coated.



SPECIFICATIONS

Product Code	Stage Number	PR	RO	BH	X°	Max. Tipping Weight	Weight	Oil Cap.	Stroke	ØA	B	C	Oil inlet	M
	no	mm	mm	mm	°	ton	kg	lt	mm	mm	mm	mm	"	mm
LWHC-115-3-2526-B	3	3200-3500	200-300	400-1000	44-53	26-42	89	23	2526	136	1302	1246	%	1191
LWHC-115-3-2979-B	3	3700-4000	200-400	400-1000	45-53	25-36	101	27	2979	136	1452	1396	%	1341
LWHC-135-3-3225-B	3	4200-4600	200-600	400-1600	42-52	38-35	146	44	3225	161	1602	1546	%	1491
LWHC-160-3-3225-B	3	4200-4600	200-600	400-1600	42-52	55-89	186	62	3225	186	1603	1547	%	1492
LWHC-135-4-3368-B	4	4400-4800	200-600	400-1600	42-52	24-50	128	36	3368	161	1302	1246	%	1191
LWHC-160-4-3368-B	4	4400-4800	200-600	400-1600	42-52	38-78	161	52	3368	186	1302	1246	%	1191
LWHC-135-4-3968-B	4	5100-5700	200-600	400-1600	42-52	23-41	145	43	3968	161	1452	1396	%	1341
LWHC-135-4-3968-B	4	5100-5700	200-600	400-1600	42-52	23-41	148	43	3968	161	1396	1340	%	1290
LWHC-160-4-3968-B	4	5100-5700	200-600	400-1600	42-52	37-57	183	62	3968	186	1452	1396	%	1341
LWHC-135-4-4300-B	4	5700-6400	400-800	800-2000	42-52	25-46	162	47	4300	161	1602	1546	%	1491
LWHC-160-4-4300-B	4	5700-6400	400-800	800-2000	42-52	39-71	204	67	4300	186	1602	1546	%	1491
LWHC-160-5-5375-B	5	6900-7700	400-800	800-2000	43-52	24-40	220	70	5375	186	1602	1546	%	1491
LWHC-185-5-5375-B	5	6900-7700	400-800	800-2000	43-52	39-65	281	98	5375	214	1602	1546	%	1491
LWHC-212-5-5375-B	5	6900-7700	400-800	800-2000	43-52	57-95	355	133	5375	243	1603	1547	1	1492

FRONT TYPE TELESCOPIC CYLINDER C TYPE



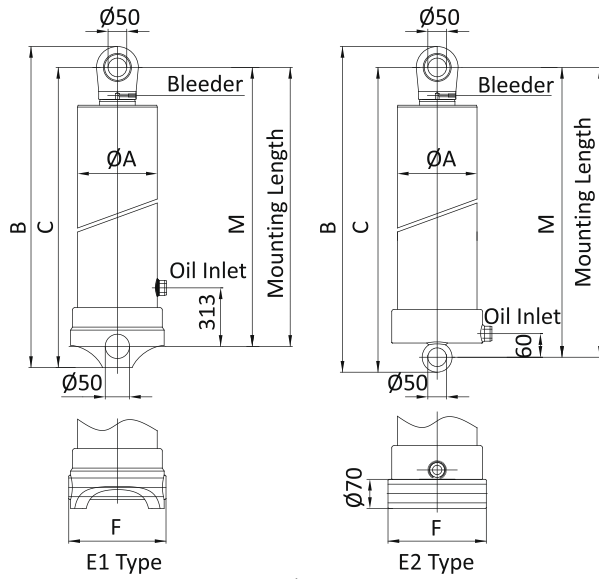
SPECIFICATIONS	
Diameter	Thrust Force
190 bar	
mm	ton
212	68,4
185	52,1
160	39,0
135	27,7
115	20,1
95	13,7
75	8,6
55	4,6

All cylinder materials are DIN 2391 St 52 BK+S.
 Working pressure is 170 bar.
 Maximum working pressure is 190 bar.
 All stage surfaces are 50 micron hard chrome coated.

SPECIFICATIONS

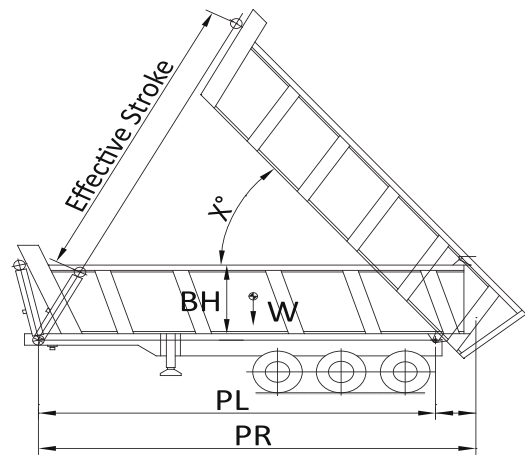
Product Code	Stage Number	PR	RO	BH	X°	Max. Tipping Weight	Weight	Oil Cap.	Stroke	ØA	B	C	ØD	E	F	Oil Inlet	M
	no	mm	mm	mm	°	ton	kg	lit	mm	mm	mm	mm	mm	mm	mm	"	mm
LWHC-115-3-2526-C	3	3200-3500	200-300	400-1000	44-53	26-42	93	23	2526	136	1207	1151	55	180	280	¾	1091
LWHC-115-3-2976-C	3	3700-4000	200-400	400-1000	45-53	25-36	105	27	2979	136	1357	1301	55	180	280	¾	1241
LWHC-135-3-3225-C	3	4200-4600	200-600	400-1600	42-52	38-35	153	44	3225	161	1507	1451	68	205	321	¾	1391
LWHC-160-3-3225-C	3	4200-4600	200-600	400-1600	42-52	55-89	194	62	3225	186	1508	1452	68	235	351	¾	1392
LWHC-135-4-3368-C	4	4400-4800	200-600	400-1600	42-52	24-50	136	36	3368	161	1207	1151	68	205	321	¾	1091
LWHC-160-4-3368-C	4	4400-4800	200-600	400-1600	42-52	38-78	170	52	3368	186	1207	1151	68	235	351	¾	1091
LWHC-135-4-3968-C	4	5100-5700	200-600	400-1600	42-52	23-41	153	43	3968	161	1357	1301	68	205	321	¾	1241
LWHC-160-4-3968-C	4	5100-5700	200-600	400-1600	42-52	37-57	191	62	3968	186	1357	1301	68	235	351	¾	1241
LWHC-135-4-4300-C	4	5700-6400	400-800	800-2000	42-52	25-46	169	47	4300	161	1507	1451	68	205	321	¾	1391
LWHC-160-4-4300-C	4	5700-6400	400-800	800-2000	42-52	39-71	212	67	4300	186	1507	1451	68	235	351	¾	1391
LWHC-160-5-5375-C	5	6900-7700	400-800	800-2000	43-52	24-40	229	70	5375	186	1507	1451	68	235	351	¾	1391
LWHC-160-5-5675-C	5	7200-8100	400-800	800-2000	43-52	24-39	238	74	5675	186	1567	1511	68	235	351	¾	1451
LWHC-160-5-5925-C	5	7500-8400	400-800	800-2000	43-52	24-38	246	77	5925	186	1617	1561	68	235	351	¾	1501
LWHC-160-5-6175-C	5	7800-8700	400-800	800-2000	43-52	24-36	253	80	6175	186	1667	1611	68	235	351	¾	1551
LWHC-160-5-6425-C	5	8100-9000	400-800	800-2000	44-52	24-35	261	83	6425	186	1717	1661	68	235	351	¾	1601
LWHC-160-5-6675-C	5	8400-9300	400-800	800-2000	44-52	24-34	269	87	6675	186	1767	1711	68	235	351	¾	1651
LWHC-160-5-6800-C	5	8500-9400	400-800	800-2000	44-52	24-34	276	88	6800	186	1817	1761	68	235	351	¾	1701
LWHC-185-5-5375-C	5	6900-7700	400-800	800-2000	43-52	39-65	290	98	5375	214	1507	1451	68	250	366	¾	1391
LWHC-185-5-5675-C	5	7200-8100	400-800	800-2000	43-52	39-63	302	103	5675	214	1567	1511	68	250	366	¾	1451
LWHC-185-5-5925-C	5	7500-8400	400-800	800-2000	43-52	38-60	312	108	5925	214	1617	1561	68	250	366	¾	1501
LWHC-185-5-6175-C	5	7800-8700	400-800	800-2000	43-52	38-58	322	112	6175	214	1667	1611	68	250	366	¾	1551
LWHC-185-5-6425-C	5	8100-9000	400-800	800-2000	44-52	38-57	332	117	6425	214	1717	1661	68	250	366	¾	1601
LWHC-185-5-6675-C	5	8400-9300	400-800	800-2000	44-52	38-55	342	121	6675	214	1767	1711	68	250	366	¾	1651
LWHC-185-5-6800-C	5	8500-9400	400-800	800-2000	44-52	38-55	352	124	6800	214	1817	1761	68	250	366	¾	1701
LWHC-185-5-7050-C	5	8800-9700	400-800	800-2000	44-53	38-54	362	128	7050	214	1867	1811	68	250	366	¾	1751
LWHC-185-5-7300-C	5	9100-10100	400-800	800-2000	44-54	38-53	372	133	7300	214	1917	1861	68	250	366	¾	1801
LWHC-185-5-7550-C	5	9400-10400	400-800	800-2000	44-55	37-52	382	137	7550	214	1967	1911	68	250	366	¾	1851
LWHC-212-5-5375-C	5	6900-7700	400-800	800-2000	43-52	57-95	371	133	5375	243	1508	1452	68	290	406	1	1384
LWHC-212-5-5955-C	5	7500-8400	400-800	800-2000	43-53	57-89	401	147	5955	243	1624	1568	68	290	406	1	1500
LWHC-212-5-6455-C	5	8100-9000	400-800	800-2000	44-52	56-83	426	159	5455	243	1724	1668	68	290	406	1	1600
LWHC-212-5-6830-C	5	8500-9400	400-800	800-2000	44-53	56-81	451	169	6830	243	1824	1768	68	290	406	1	1700
LWHC-212-5-7330-C	5	9100-10100	400-800	800-2000	44-52	55-77	476	181	7330	243	1924	1868	68	290	406	1	1800

FRONT TYPE TELESCOPIC CYLINDER E TYPE



SPECIFICATIONS	
Diameter	Thrust Force
190 bar	
mm	ton
212	68,4
185	52,1
160	39,0
135	27,7
115	20,1
95	13,7
75	8,6
55	4,6

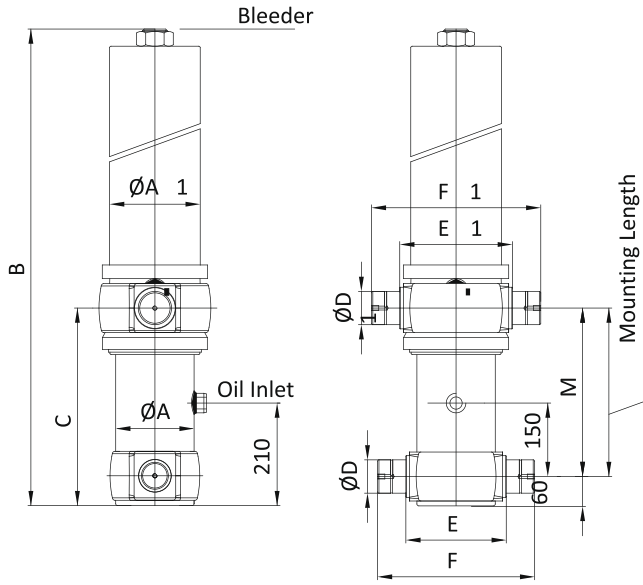
All cylinder materials are DIN 2391 St 52 BK+S.
 Working pressure is 170 bar.
 Maximum working pressure is 190 bar.
 All stage surfaces are 50 micron hard chrome coated.



SPECIFICATIONS

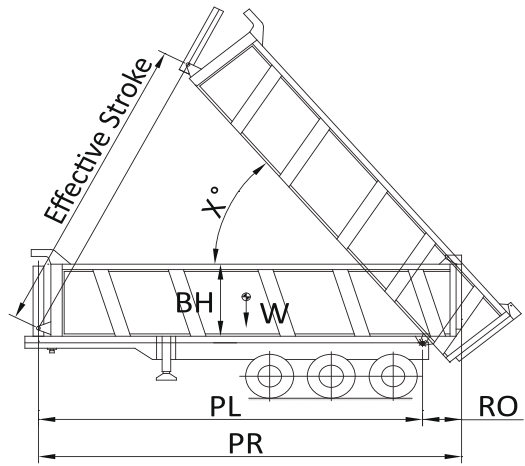
Product Code	Stage Number	PR	RO	BH	X°	Max. Tipping Weight	Weight	Oil Cap.	Stroke	ØA	B	C	ØD	Oil Inlet	F
	no	mm	mm	mm	°	ton	kg	lt	mm	mm	mm	mm	mm	"	mm
LWHC-115-3-2526-E	3	3200-3500	200-300	400-1000	44-53	26-42	89	23	2526	136	1250	1194	180	%	1159
LWHC-115-3-2979-E	3	3700-4000	200-400	400-1000	45-53	25-36	101	27	2979	136	1400	1344	180	%	1309
LWHC-135-3-3225-E	3	4200-4600	200-600	400-1600	42-52	38-35	154	44	3225	161	1608	1552	215	%	1495
LWHC-160-3-3225-E	3	4200-4600	200-600	400-1600	42-52	55-89	197	62	3225	186	1608	1552	250	%	1495
LWHC-135-4-3368-E	4	4400-4800	200-600	400-1600	42-52	24-50	137	36	3368	161	1307	1251	215	%	1194
LWHC-160-4-3368-E	4	4400-4800	200-600	400-1600	42-52	38-78	173	52	3368	186	1307	1251	250	%	1194
LWHC-135-4-3968-E	4	5100-5700	200-600	400-1600	42-52	23-41	154	43	3968	161	1457	1401	215	%	1344
LWHC-160-4-3968-E	4	5100-5700	200-600	400-1600	42-52	37-57	194	62	3968	186	1457	1401	250	%	1344
LWHC-135-4-4300-E	4	5700-6400	400-800	800-2000	42-52	25-46	171	47	4300	161	1607	1551	215	%	1494
LWHC-160-4-4300-E	4	5700-6400	400-800	800-2000	42-52	39-71	216	67	4300	186	1607	1551	250	%	1494
LWHC-160-5-5375-E	5	6900-7700	400-800	800-2000	43-52	24-40	232	70	5375	186	1607	1551	250	%	1494
LWHC-185-5-5375-E	5	6900-7700	400-800	800-2000	43-52	39-65	297	98	5375	214	1607	1551	260	%	1494
LWHC-212-5-5375-E	5	6900-7700	400-800	800-2000	43-52	57-95	356	133	5375	243	1551	1495	290	1	1460

FRONT TYPE TELESCOPIC CYLINDER H TYPE



SPECIFICATIONS	
Diameter	Thrust Force
190 bar	
mm	ton
212	68,4
185	52,1
160	39,0
135	27,7
115	20,1
95	13,7
75	8,6
55	4,6

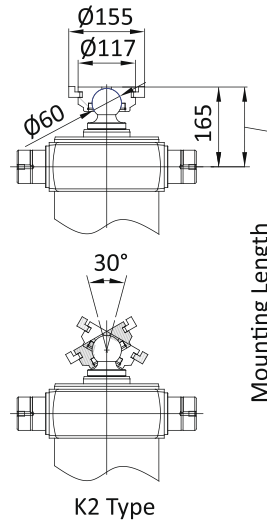
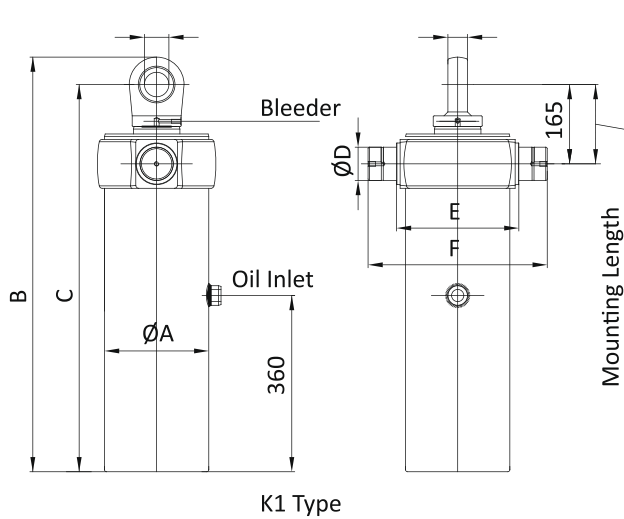
All cylinder materials are DIN 2391 St 52 BK+S.
 Working pressure is 170 bar.
 Maximum working pressure is 190 bar.
 All stage surfaces are 50 micron hard chrome coated.



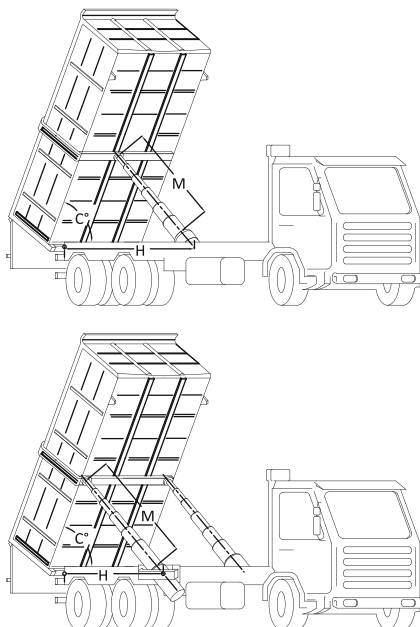
TELESCOPIC CYLINDERS

SPECIFICATIONS																					
Product Code	Stage Number	PR	RO	BH	X°	Max. Tipping Weight	Weight	Oil Cap.	Stroke	ØA	ØA1	B	C	ØD	ØD1	E	F	E1	F1	Oil Inlet	M
	no	mm	mm	mm	°	ton	kg	lit	mm	mm	mm	mm	mm	mm	mm	mm	mm	mm	mm	mm	mm
LWHC-115-3-2526-H	3	3200-3500	200-300	400-1000	44-53	26-42	134	23	2526	136	161	1132	403	55	68	180	280	205	301	%	343
LWHC-115-3-2979-H	3	3700-4000	200-400	400-1000	45-53	25-36	150	27	2979	136	161	1282	403	55	68	180	280	205	301	%	343
LWHC-135-3-3225-H	3	4200-4600	200-600	400-1600	42-52	38-35	213	44	3225	161	186	1432	403	68	68	205	321	235	351	%	343
LWHC-160-3-3225-H	3	4200-4600	200-600	400-1600	42-52	55-69	269	62	3225	186	214	1432	403	68	68	235	351	250	366	%	343
LWHC-135-4-3388-H	4	4400-4800	200-600	400-1600	42-52	24-50	183	36	3368	161	186	1132	403	68	68	205	321	235	351	%	343
LWHC-160-4-3368-H	4	4400-4800	200-600	400-1600	42-52	38-78	230	52	3368	186	214	1132	403	68	68	235	351	250	366	%	343
LWHC-135-4-3968-H	4	5100-5700	200-600	400-1600	42-52	23-41	206	43	3968	161	186	1282	403	68	68	205	321	235	351	%	343
LWHC-160-4-3968-H	4	5100-5700	200-600	400-1600	42-52	37-57	260	62	3968	186	214	1282	403	68	68	235	351	250	366	%	343
LWHC-135-4-4300-H	4	5700-6400	400-800	800-2000	42-52	25-46	229	47	4300	161	186	1432	403	68	68	205	321	235	351	%	343
LWHC-160-4-4300-H	4	5700-6400	400-800	800-2000	42-52	39-71	290	67	4300	186	214	1432	403	68	68	235	351	250	366	%	343
LWHC-160-5-5375-H	5	6900-7700	400-800	800-2000	43-52	24-40	306	70	5375	186	214	1432	403	68	68	235	351	250	366	%	343
LWHC-185-5-5375-H	5	6900-7700	400-800	800-2000	43-52	39-65	382	98	5375	214	243	1432	403	68	68	250	366	290	406	%	343

FRONT TYPE TELESCOPIC CYLINDER K TYPE



SPECIFICATIONS	
Diameter	Thrust Force
190 bar	
mm	ton
212	68,4
185	52,1
160	39,0
135	27,7
115	20,1
95	13,7
75	8,6
55	4,6



SPECIFICATIONS			
M - Strok (mm)	H - Axis Length (mm)		
	C - 45°	C - 50°	C - 55°
2400	3136	2839	2599
2500	3266	2958	2707
2600	3397	3076	2815
2700	3528	3194	2924
2800	3658	3313	3032
2900	3789	3431	3140
3000	3920	3549	3249

SPECIFICATIONS

Product Code	Stage Number	Weight	Oil Cap.	Stroke	A	B	C	D	E	F
	no									
LWHC-160-5-2460-K	5	128	32	2460	186	861	805	68	235	351
LWHC-160-5-2460-K		128	32		186	805	-	68	235	351
LWHC-185-5-2460-K		161	45		214	861	805	68	250	366
LWHC-185-5-2460-K		161	45		214	805	-	68	250	366
LWHC-160-6-2952-K	6	134	33	2952	186	861	805	68	235	351
LWHC-160-6-2952-K		134	33		186	805	-	68	235	351
LWHC-185-6-2952-K		169	47		-	861	805	68	250	366
LWHC-185-6-2952-K		169	47		214	805	-	68	250	366

Oil Tanks

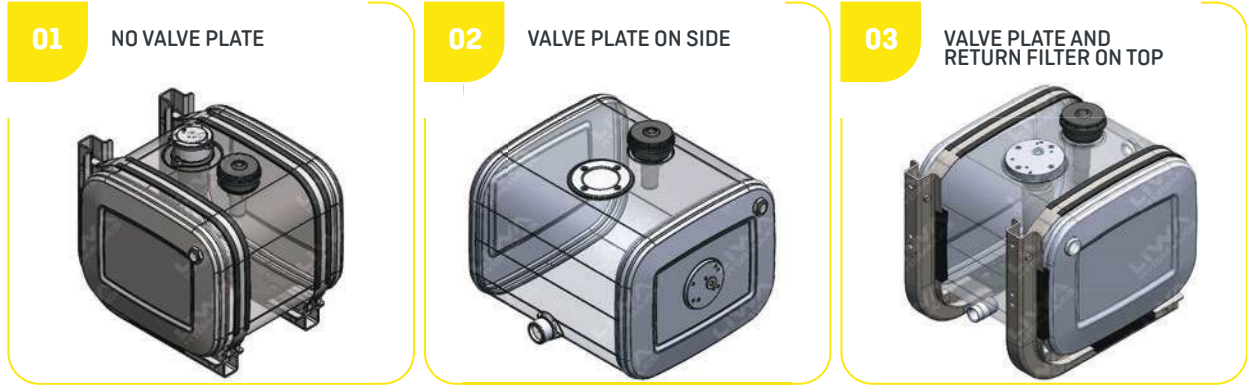


Oil tanks store and supply hydraulic fluid to the system. Liwa Hydraulics offers custom built tanks in steel and aluminum, with different mounting and filtering options. Our oil tanks provide a solid foundation for any hydraulic system with their great build quality.



oil tanks

ALUMINIUM SIDE MOUNTED 42X52



SPECIFICATIONS				
Product Code	H Height (mm)	W Width (mm)	L Length (mm)	Tank Volume H*W*L (lit)
77203088	420	520	400	88
77203100	420	520	500	100
77203131	420	520	600	131

*Length (L) is customizable. Please contact us for more details.

STANDARTS



OPTIONAL



aluminium
side mounted

ALUMINIUM SIDE MOUNTED 56X64

01 NO VALVE PLATE

02 VALVE PLATE ON SIDE

03 VALVE PLATE AND RETURN FILTER ON TOP

SPECIFICATIONS				
Product Code	H Height (mm)	W Width (mm)	L Length (mm)	Tank Volume H*W*L (lit)
77203144	560	640	400	144
77203180	560	640	500	180
77203215	560	640	600	215

*Length (L) is customizable. Please contact us for more details.

STANDARTS

STEEL BRACKET 77900003
 BRACKET RUBBER 77900002
 STEEL STRAP 77900004
 STRAP RUBBER 77900006
 FILLER CAP 88100056
 RETURN FILTER
 OIL LEVEL INDICATOR 77900011

OPTIONAL

01 VALVE PLATE WITH RETURN FILTER

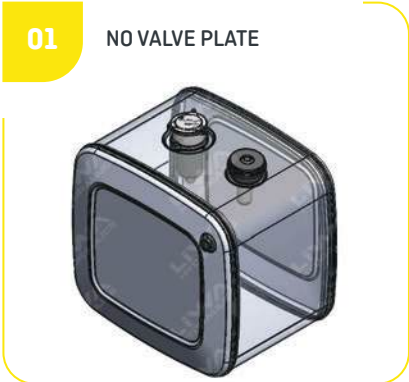
02 METAL FILLER CAP

03 WAVE BREAKER

04 CHROMIUM STRAP 77900005

aluminium
side mounted

ALUMINIUM SIDE MOUNTED 62X67



SPECIFICATIONS

Product Code	H Height (mm)	W Width (mm)	L Length (mm)	Tank Volume H*W*L (lit)
77203167	620	675	400	167
77203209	620	675	500	209
77203251	620	675	600	251

*Length (L) is customizable. Please contact us for more details.

STANDARTS



OPTIONAL



aluminium side mounted

ALUMINIUM SIDE MOUNTED 63X70



SPECIFICATIONS				
Product Code	H Height (mm)	W Width (mm)	L Length (mm)	Tank Volume H*W*L (lit)
77203176	630	700	400	176
77203220	630	700	500	220
77203265	630	700	600	265

*Length (L) is customizable. Please contact us for more details.

STANDARTS



OPTIONAL



aluminium
side mounted

ALUMINIUM SIDE MOUNTED 67X70

01 NO VALVE PLATE



02 VALVE PLATE AND RETURN FILTER ON TOP



SPECIFICATIONS

Product Code	H Height (mm)	W Width (mm)	L Length (mm)	Tank Volume H*W*L (lit)
77203176	670	700	400	176
77203220	670	700	500	220
77203265	670	700	600	265

*Length (L) is customizable. Please contact us for more details.

STANDARTS



STEEL BRACKET
77900003



BRACKET RUBBER
77900002



STEEL STRAP
77900004



STRAP RUBBER
77900006



FILLER CAP
88100056



RETURN FILTER



OIL LEVEL INDICATOR
77900011

OPTIONAL

01 VALVE PLATE WITH RETURN FILTER



02 METAL FILLER CAP



03 WAVE BREAKER

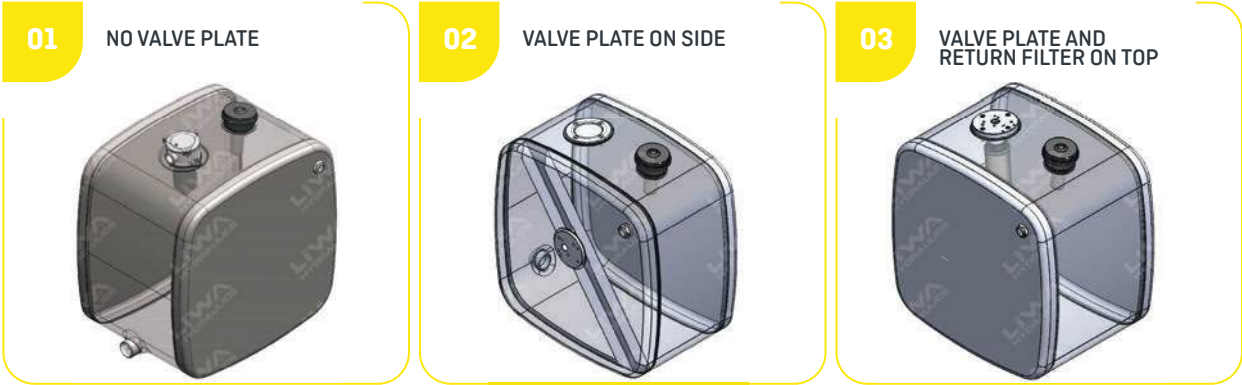


04 CHROMIUM STRAP 77900005



aluminium
side mounted

ALUMINIUM SIDE MOUNTED 69X69



SPECIFICATIONS				
Product Code	H Height (mm)	W Width (mm)	L Length (mm)	Tank Volume H*W*L (lit)
77203191	690	690	400	191
77203238	690	690	500	238
77203285	690	690	600	285

*Length (L) is customizable. Please contact us for more details.

STANDARTS



OPTIONAL



aluminium
side mounted

ALUMINIUM SIDE MOUNTED 71X71

01 NO VALVE PLATE



02 VALVE PLATE AND RETURN FILTER ON TOP



SPECIFICATIONS

Product Code	H Height (mm)	W Width (mm)	L Length (mm)	Tank Volume H*W*L (lit)
77203202	710	710	400	202
77203252	710	710	500	252
77203302	710	710	600	302

*Length (L) is customizable. Please contact us for more details.

STANDARTS



STEEL BRACKET
77900003



BRACKET RUBBER
77900002



STEEL STRAP
77900004



STRAP RUBBER
77900006



FILLER CAP
88100056



RETURN FILTER



OIL LEVEL INDICATOR
77900011

OPTIONAL

01 VALVE PLATE WITH RETURN FILTER



02 METAL FILLER CAP



03 WAVE BREAKER

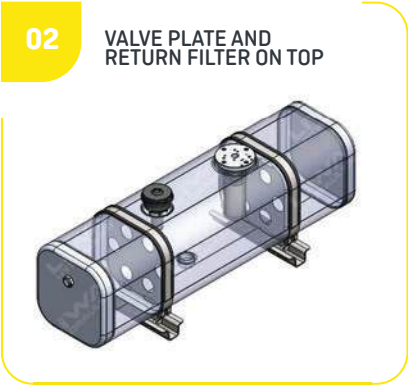


04 CHROMIUM STRAP 77900005



aluminium
side mounted

ALUMINIUM REAR MOUNT 35X35



SPECIFICATIONS

Product Code	H Height (mm)	W Width (mm)	L Length (mm)	Tank Volume H*W*L (lt)
77163075	350	350	650	75
77163115	350	350	1000	115
77163150	350	350	1300	150
77163190	350	350	1600	190

*Length (L) is customizable. Please contact us for more details.

STANDARTS



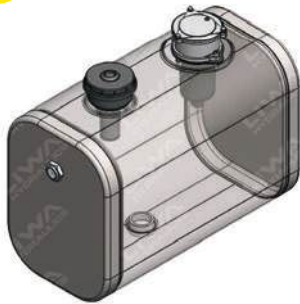
OPTIONAL



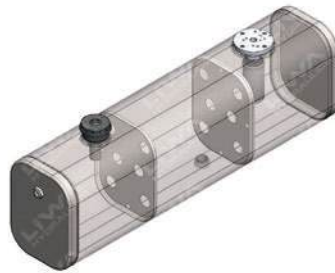
aluminium rear mount

ALUMINIUM REAR MOUNT 41X31

01 NO VALVE PLATE



02 VALVE PLATE AND RETURN FILTER ON TOP



SPECIFICATIONS

Product Code	H Height (mm)	W Width (mm)	L Length (mm)	Tank Volume H*W*L (lit)
77143065	410	310	600	65
77143075	410	310	750	75
77143125	410	310	1150	125
77143150	410	310	1400	150

*Length (L) is customizable. Please contact us for more details.

STANDARTS



STEEL BRACKET
77900003

BRACKET RUBBER
77900002

STEEL STRAP
77900004

STRAP RUBBER
77900006

FILLER CAP
88100056

RETURN FILTER

OIL LEVEL INDICATOR
77900011

OPTIONAL

01 VALVE PLATE WITH RETURN FILTER



02 METAL FILLER CAP



03 WAVE BREAKER

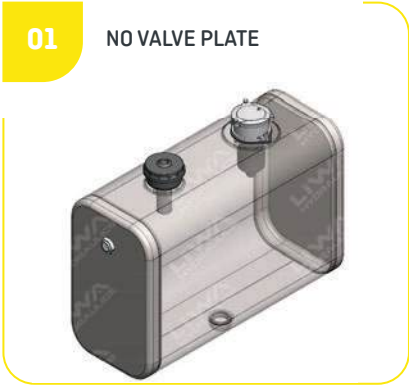


04 CHROMIUM STRAP 77900005



aluminium rear mount

ALUMINIUM REAR MOUNT 51X31



SPECIFICATIONS

Product Code	H Height (mm)	W Width (mm)	L Length (mm)	Tank Volume H*W*L (lit)
77153090	510	310	680	90
77153100	510	310	770	100
77153110	510	310	850	110
77153135	510	310	1000	135
77153150	510	310	1100	150
77153180	510	310	1250	180

*Length (L) is customizable. Please contact us for more details.

STANDARTS



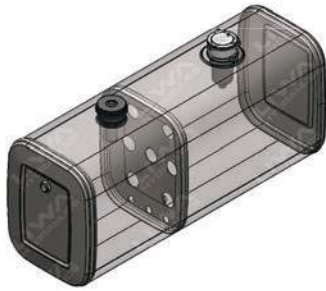
OPTIONAL



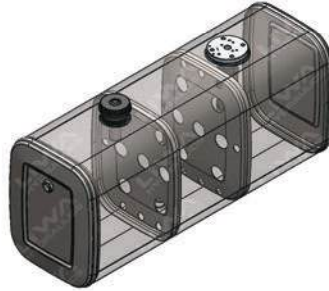
aluminium rear mount

ALUMINIUM REAR MOUNT 52X42

01 NO VALVE PLATE



02 VALVE PLATE AND RETURN FILTER ON TOP



SPECIFICATIONS

Product Code	H Height (mm)	W Width (mm)	L Length (mm)	Tank Volume H*W*L (lt)
77193140	520	420	790	140
77193160	520	420	890	160
77193180	520	420	980	180
77193200	520	420	1100	200
77193230	520	420	1250	230

*Length (L) is customizable. Please contact us for more details.

STANDARTS



STEEL BRACKET
77900003

BRACKET RUBBER
77900002

STEEL STRAP
77900004

STRAP RUBBER
77900006

FILLER CAP
88100056

RETURN FILTER

OIL LEVEL INDICATOR
77900011

OPTIONAL

01 VALVE PLATE WITH RETURN FILTER



02 METAL FILLER CAP



03 WAVE BREAKER

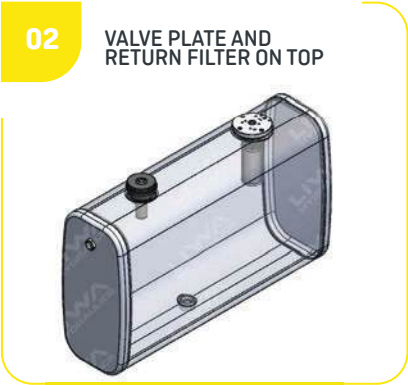


04 CHROMIUM STRAP 77900005



aluminium rear mount

ALUMINIUM REAR MOUNT 65X32



SPECIFICATIONS

Product Code	H Height (mm)	W Width (mm)	L Length (mm)	Tank Volume H*W*L (lt)
77173125	650	320	650	125
77173170	650	320	900	170
77173205	650	320	1100	205
77173235	650	320	1250	235

*Length (L) is customizable. Please contact us for more details.

STANDARTS



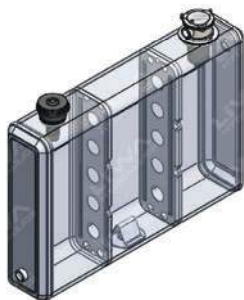
OPTIONAL



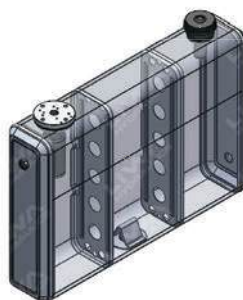
aluminium rear mount

ALUMINIUM REAR MOUNT 70X20

01 NO VALVE PLATE



02 VALVE PLATE AND RETURN FILTER ON TOP



SPECIFICATIONS

Product Code	H Height (mm)	W Width (mm)	L Length (mm)	Tank Volume H*W*L (lt)
77113085	700	200	620	85
77113140	700	200	1030	140

*Length (L) is customizable. Please contact us for more details.

STANDARTS



STEEL BRACKET
77900003

BRACKET RUBBER
77900002

STEEL STRAP
77900004

STRAP RUBBER
77900006

FILLER CAP
88100056

RETURN FILTER

OIL LEVEL INDICATOR
77900011

OPTIONAL

01 VALVE PLATE WITH RETURN FILTER



02 METAL FILLER CAP



03 WAVE BREAKER

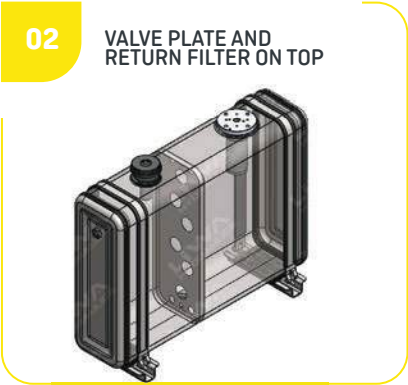
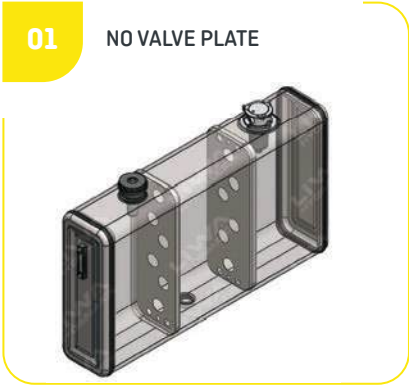


04 CHROMIUM STRAP 77900005



aluminium rear mount

ALUMINIUM REAR MOUNT 70X25



SPECIFICATIONS

Product Code	H Height (mm)	W Width (mm)	L Length (mm)	Tank Volume H*W*L (lit)
77123085	700	250	620	85
77123140	700	250	1030	140

*Length (L) is customizable. Please contact us for more details.

STANDARTS



OPTIONAL



aluminium rear mount

ALUMINIUM REAR MOUNT 70X28

01 NO VALVE PLATE



02 VALVE PLATE AND RETURN FILTER ON TOP



SPECIFICATIONS

Product Code	H Height (mm)	W Width (mm)	L Length (mm)	Tank Volume H*W*L (lit)
77133100	700	280	550	100
77133110	700	280	620	110
77133225	700	280	1250	225
77133235	700	280	1330	235

*Length (L) is customizable. Please contact us for more details.

STANDARTS



STEEL BRACKET
77900003

BRACKET RUBBER
77900002

STEEL STRAP
77900004

STRAP RUBBER
77900006

FILLER CAP
88100056

RETURN FILTER

OIL LEVEL INDICATOR
77900011

OPTIONAL

01 VALVE PLATE WITH RETURN FILTER



02 METAL FILLER CAP



03 WAVE BREAKER



04 CHROMIUM STRAP 77900005



aluminium rear mount

ALUMINIUM REAR MOUNT 81X41



SPECIFICATIONS

Product Code	H Height (mm)	W Width (mm)	L Length (mm)	Tank Volume H*W*L (lit)
77183275	810	410	900	275
77183335	810	410	1100	335
77183285	810	410	1250	385

*Length (L) is customizable. Please contact us for more details.

STANDARTS



OPTIONAL



aluminium rear mount

ALUMINIUM ROUNDED

01 NO VALVE PLATE



02 VALVE PLATE AND RETURN FILTER ON TOP



SPECIFICATIONS

Product Code	H Height (mm)	L Length (mm)	Tank Volume H*W*L (lit)
77303044	Ø400	350	44
77303063	Ø400	500	63
77303082	Ø400	650	82
77303100	Ø400	800	100
77303125	Ø400	1000	125
77303064	Ø550	270	64
77303083	Ø550	350	83
77303123	Ø550	520	123
77303155	Ø550	650	155
77303202	Ø550	850	202
77303135	Ø620	450	135
77303166	Ø620	550	166
77303211	Ø620	700	211
77303232	Ø620	770	232
77303257	Ø620	850	257
77303154	Ø660	450	154
77303188	Ø660	550	188
77303222	Ø660	650	222
77303256	Ø660	750	256
77303308	Ø660	900	308

*Length (L) is customizable. Please contact us for more details.

STANDARTS



STEEL BRACKET
77900003



BRACKET RUBBER
77900002



STEEL STRAP
77900004



STRAP RUBBER
77900006



FILLER CAP
88100056

OPTIONAL

01 VALVE PLATE WITH RETURN FILTER



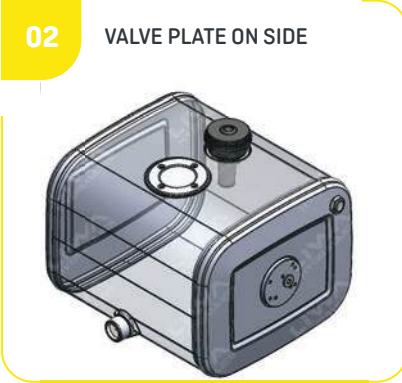
02 WAVE BREAKER



04 CHROMIUM STRAP 77900005



STEEL SIDE MOUNTED 42X52



SPECIFICATIONS

Product Code	H Height (mm)	W Width (mm)	L Length (mm)	Tank Volume H*W*L (lit)
77202088	420	520	400	88
77202100	420	520	500	100
77202131	420	520	600	131

*Length (L) is customizable. Please contact us for more details.

STANDARTS

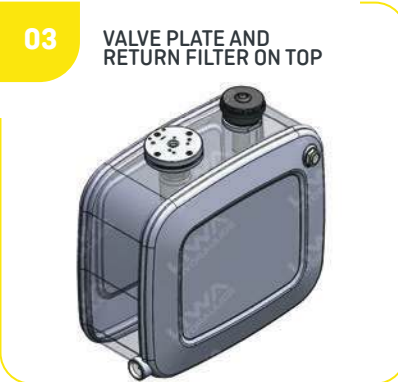


OPTIONAL



steel
side mounted

STEEL SIDE MOUNTED 56X64



SPECIFICATIONS

Product Code	H Height (mm)	W Width (mm)	L Length (mm)	Tank Volume H*W*L (lt)
77202144	560	640	400	144
77202180	560	640	500	180
77202215	560	640	600	215

*Length (L) is customizable. Please contact us for more details.

STANDARTS

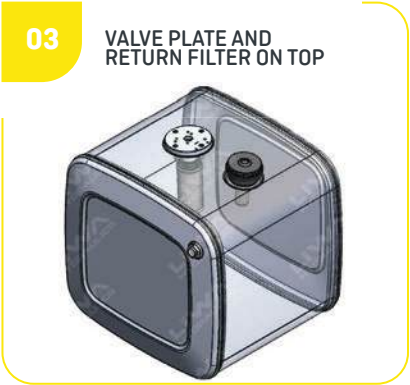


OPTIONAL



steel side mounted

STEEL SIDE MOUNTED 62X67



SPECIFICATIONS

Product Code	H Height (mm)	W Width (mm)	L Length (mm)	Tank Volume H*W*L (lit)
77202167	620	675	400	167
77202209	620	675	500	209
77202251	620	675	600	251

*Length (L) is customizable. Please contact us for more details.

STANDARTS



OPTIONAL



steel
side mounted

STEEL SIDE MOUNTED 63X70

01 NO VALVE PLATE



02 VALVE PLATE AND RETURN FILTER ON TOP



SPECIFICATIONS

Product Code	H Height (mm)	W Width (mm)	L Length (mm)	Tank Volume H*W*L (lit)
77202176	630	700	400	176
77202220	630	700	500	220
77202265	630	700	600	265

*Length (L) is customizable. Please contact us for more details.

STANDARTS



STEEL BRACKET
77900003



BRACKET RUBBER
77900002



STEEL STRAP
77900004



STRAP RUBBER
77900006



FILLER CAP
88100056



RETURN FILTER



OIL LEVEL INDICATOR
77900011

OPTIONAL

01 VALVE PLATE WITH RETURN FILTER



02 METAL FILLER CAP



03 WAVE BREAKER

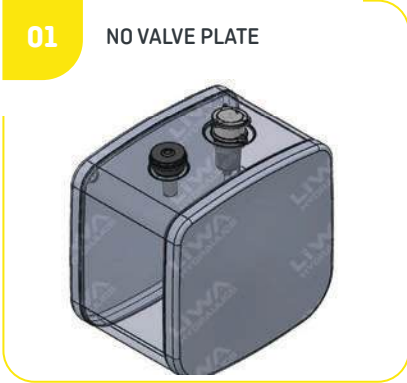


04 CHROMIUM STRAP 77900005



steel
side mounted

STEEL SIDE MOUNTED 67X70



SPECIFICATIONS

Product Code	H Height (mm)	W Width (mm)	L Length (mm)	Tank Volume H*W*L (lit)
77202176	670	700	400	176
77202220	670	700	500	220
77202265	670	700	600	265

*Length (L) is customizable. Please contact us for more details.

STANDARTS



OPTIONAL



steel
side mounted

STEEL SIDE MOUNTED 69X69

01 NO VALVE PLATE



02 VALVE PLATE ON SIDE



03 VALVE PLATE AND RETURN FILTER ON TOP



SPECIFICATIONS

Product Code	H Height (mm)	W Width (mm)	L Length (mm)	Tank Volume H*W*L (lit)
77202191	690	690	400	191
77202238	690	690	500	238
77202285	690	690	600	285

*Length (L) is customizable. Please contact us for more details.

STANDARTS



STEEL BRACKET
77900003



BRACKET RUBBER
77900002



STEEL STRAP
77900004



STRAP RUBBER
77900006



FILLER CAP
88100056



RETURN FILTER



OIL LEVEL INDICATOR
77900011

OPTIONAL

01 VALVE PLATE WITH RETURN FILTER



02 METAL FILLER CAP



03 WAVE BREAKER



04 CHROMIUM STRAP 77900005



steel
side mounted

STEEL SIDE MOUNTED 71X71

01 NO VALVE PLATE



02 VALVE PLATE AND RETURN FILTER ON TOP



SPECIFICATIONS

Product Code	H Height (mm)	W Width (mm)	L Length (mm)	Tank Volume H*W*L (lt)
77202202	710	710	400	202
77202252	710	710	500	252
77202302	710	710	600	302

*Length (L) is customizable. Please contact us for more details.

STANDARTS



STEEL BRACKET
77900003



BRACKET RUBBER
77900002



STEEL STRAP
77900004



STRAP RUBBER
77900006



FILLER CAP
88100056



RETURN FILTER



OIL LEVEL INDICATOR
77900011

OPTIONAL

01 VALVE PLATE WITH RETURN FILTER



02 METAL FILLER CAP



03 WAVE BREAKER



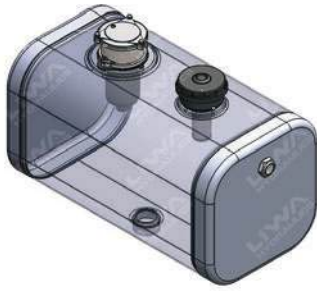
04 CHROMIUM STRAP 77900005



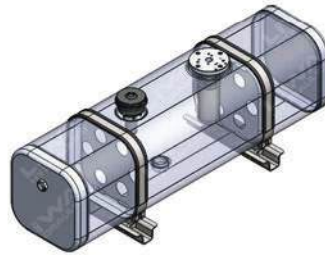
steel
side mounted

STEEL REAR MOUNT 35X35

01 NO VALVE PLATE



02 VALVE PLATE AND RETURN FILTER ON TOP



SPECIFICATIONS

Product Code	H Height (mm)	W Width (mm)	L Length (mm)	Tank Volume H*W*L (lt)
77162075	350	350	650	75
77162115	350	350	1000	115
77162150	350	350	1300	150
77162190	350	350	1600	190

*Length (L) is customizable. Please contact us for more details.

STANDARTS



STEEL BRACKET
77900003

BRACKET RUBBER
77900002

STEEL STRAP
77900004

STRAP RUBBER
77900006

FILLER CAP
88100056

RETURN FILTER

OIL LEVEL INDICATOR
77900011

OPTIONAL

01 VALVE PLATE WITH RETURN FILTER



02 METAL FILLER CAP



03 WAVE BREAKER

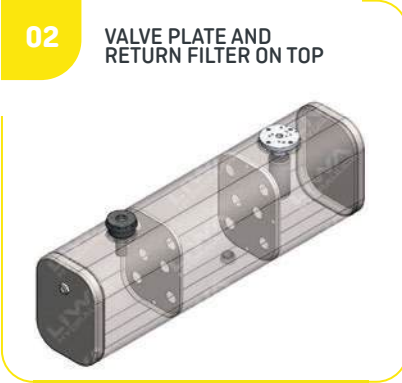
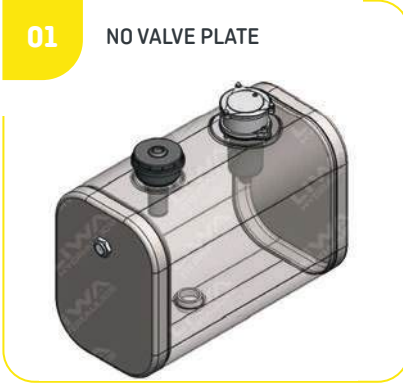


04 CHROMIUM STRAP 77900005



steel rear mount

STEEL REAR MOUNT 41X31



SPECIFICATIONS

Product Code	H Height (mm)	W Width (mm)	L Length (mm)	Tank Volume H*W*L (lt)
77142065	410	310	600	65
77142075	410	310	750	75
77142125	410	310	1150	125
77142150	410	310	1400	150

*Length (L) is customizable. Please contact us for more details.

STANDARTS



OPTIONAL



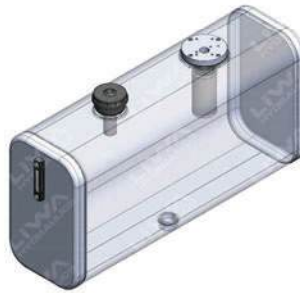
steel rear mount

STEEL REAR MOUNT 51X31

01 NO VALVE PLATE



02 VALVE PLATE AND RETURN FILTER ON TOP



SPECIFICATIONS

Product Code	H Height (mm)	W Width (mm)	L Length (mm)	Tank Volume H*W*L (lit)
77152090	510	310	680	90
77152100	510	310	770	100
77152110	510	310	850	110
77152135	510	310	1000	135
77152150	510	310	1100	150
77152180	510	310	1250	180

*Length (L) is customizable. Please contact us for more details.

STANDARTS



STEEL BRACKET
77900003

BRACKET RUBBER
77900002

STEEL STRAP
77900004

STRAP RUBBER
77900006

FILLER CAP
88100056

RETURN FILTER

OIL LEVEL INDICATOR
77900011

OPTIONAL

01 VALVE PLATE WITH RETURN FILTER



02 METAL FILLER CAP



03 WAVE BREAKER

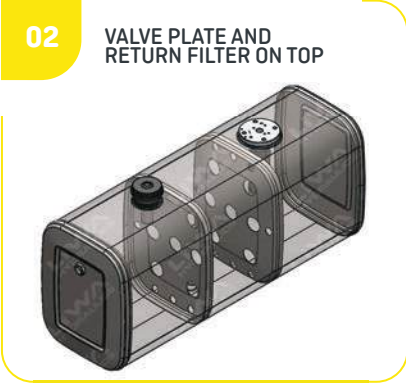
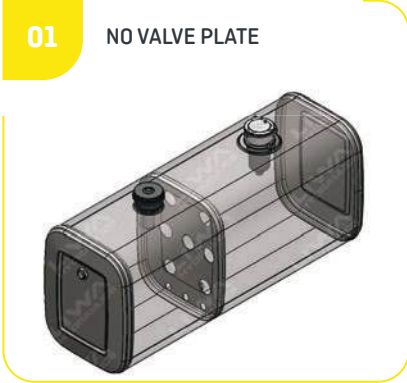


04 CHROMIUM STRAP 77900005



steel rear mount

STEEL REAR MOUNT 52X42



SPECIFICATIONS

Product Code	H Height (mm)	W Width (mm)	L Length (mm)	Tank Volume H*W*L (lt)
77192140	520	420	790	140
77192160	520	420	890	160
77192180	520	420	980	180
77192200	520	420	1100	200
77192230	520	420	1250	230

*Length (L) is customizable. Please contact us for more details.

STANDARTS



OPTIONAL



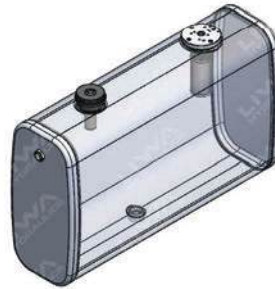
steel rear mount

STEEL REAR MOUNT 65X32

01 NO VALVE PLATE



02 VALVE PLATE AND RETURN FILTER ON TOP



SPECIFICATIONS

Product Code	H Height (mm)	W Width (mm)	L Length (mm)	Tank Volume H*W*L (lt)
77172125	650	320	650	125
77172170	650	320	900	170
77172205	650	320	1100	205
77172235	650	320	1250	235

*Length (L) is customizable. Please contact us for more details.

STANDARTS



STEEL BRACKET
77900003

BRACKET RUBBER
77900002

STEEL STRAP
77900004

STRAP RUBBER
77900006

FILLER CAP
88100056

RETURN FILTER

OIL LEVEL INDICATOR
77900011

OPTIONAL

01 VALVE PLATE WITH RETURN FILTER



02 METAL FILLER CAP



03 WAVE BREAKER

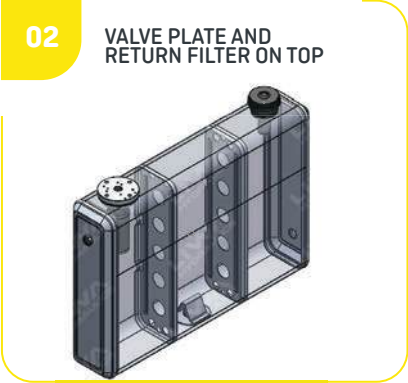
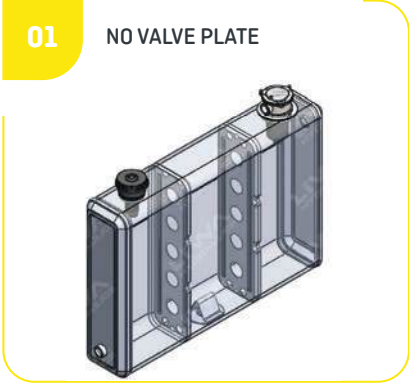


04 CHROMIUM STRAP 77900005



steel rear mount

STEEL REAR MOUNT 70X20



SPECIFICATIONS

Product Code	H Height (mm)	W Width (mm)	L Length (mm)	Tank Volume H*W*L (lt)
77112085	700	200	620	85
77112140	700	200	1030	140

*Length (L) is customizable. Please contact us for more details.

STANDARTS



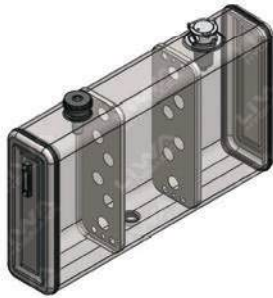
OPTIONAL



steel rear mount

STEEL REAR MOUNT 70X25

01 NO VALVE PLATE



02 VALVE PLATE AND RETURN FILTER ON TOP



SPECIFICATIONS

Product Code	H Height (mm)	W Width (mm)	L Length (mm)	Tank Volume H*W*L (lt)
77122085	700	250	620	85
77122140	700	250	1030	140

*Length (L) is customizable. Please contact us for more details.

STANDARTS



STEEL BRACKET
77900003

BRACKET RUBBER
77900002

STEEL STRAP
77900004

STRAP RUBBER
77900006

FILLER CAP
88100056

RETURN FILTER

OIL LEVEL INDICATOR
77900011

OPTIONAL

01 VALVE PLATE WITH RETURN FILTER



02 METAL FILLER CAP



03 WAVE BREAKER



04 CHROMIUM STRAP 77900005



steel rear mount

STEEL REAR MOUNT 70X28



SPECIFICATIONS

Product Code	H Height (mm)	W Width (mm)	L Length (mm)	Tank Volume H*W*L (lt)
77132100	700	280	550	100
77132110	700	280	620	110
77132225	700	280	1250	225
77132235	700	280	1330	235

*Length (L) is customizable. Please contact us for more details.

STANDARTS



OPTIONAL



steel rear mount

STEEL REAR MOUNT 81X41

01 NO VALVE PLATE



SPECIFICATIONS

Product Code	H Height (mm)	W Width (mm)	L Length (mm)	Tank Volume H*W*L (lt)
77182275	810	410	900	275
77182335	810	410	1100	335
77182285	810	410	1250	385

*Length (L) is customizable. Please contact us for more details.

STANDARTS



STEEL BRACKET
77900003

BRACKET RUBBER
77900002

STEEL STRAP
77900004

STRAP RUBBER
77900006

FILLER CAP
88100056

RETURN FILTER

OIL LEVEL INDICATOR
77900011

OPTIONAL

01 VALVE PLATE WITH RETURN FILTER



02 METAL FILLER CAP



03 WAVE BREAKER



04 CHROMIUM STRAP 77900005



steel rear mount

STEEL ROUNDED



SPECIFICATIONS

Product Code	H Height (mm)	L Length (mm)	Tank Volume H*W*L (lt)
77302044	Ø400	350	44
77302063	Ø400	500	63
77302082	Ø400	650	82
77302100	Ø400	800	100
77302125	Ø400	1000	125
77302064	Ø550	270	64
77302083	Ø550	350	83
77302123	Ø550	520	123
77302155	Ø550	650	155
77302202	Ø550	850	202
77302135	Ø620	450	135
77302166	Ø620	550	166
77302211	Ø620	700	211
77302232	Ø620	770	232
77302257	Ø620	850	257
77302154	Ø660	450	154
77302188	Ø660	550	188
77302222	Ø660	650	222
77302256	Ø660	750	256
77302308	Ø660	900	308

*Length (L) is customizable. Please contact us for more details.

STANDARTS



STEEL BRACKET
77900003



BRACKET RUBBER
77900002



STEEL STRAP
77900004



STRAP RUBBER
77900006



FILLER CAP
88100056

OPTIONAL



Adapters

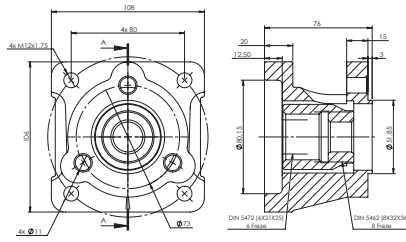


Hydraulic adapters help connect components with different connection standards, ensuring compatibility across a wide range of equipment. They make installation easy and eliminate the need for major modifications. Liwa Hydraulics adapters are built with accuracy and durability to provide seamless integration between different hydraulic components.



adapters

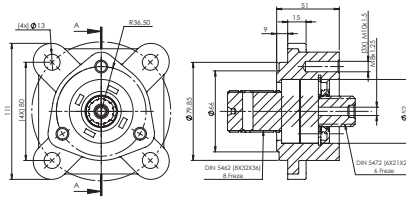
3X4 UNI ADAPTER



SPECIFICATIONS

Product Code	66100710
Weight	2.6 Kg

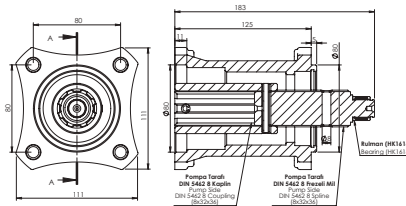
4X3 ISO ADAPTER



SPECIFICATIONS

Product Code	66100720
Weight	2.6 Kg

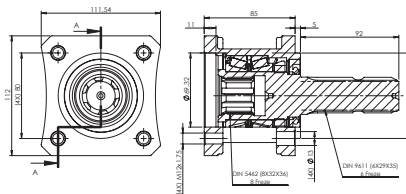
4X4 UNIVERSAL ADAPTER



SPECIFICATIONS

Product Code	66100730
Weight	2.6 Kg

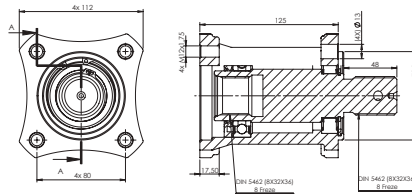
AGRICULTURAL ADAPTER



SPECIFICATIONS

Product Code	66100731
Weight	2.6 Kg

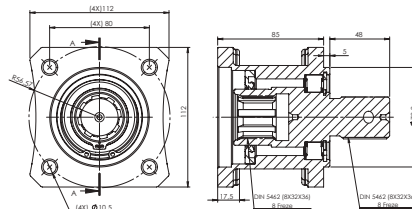
4X4 ADAPTER WITH BEARING (LONG)



SPECIFICATIONS

Product Code	66100732
Weight	2.6 Kg

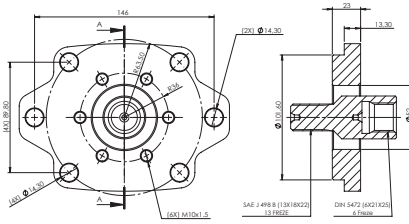
4X4 ADAPTER WITH BEARING (SHORT)



SPECIFICATIONS

Product Code	66100733
Weight	2.6 Kg

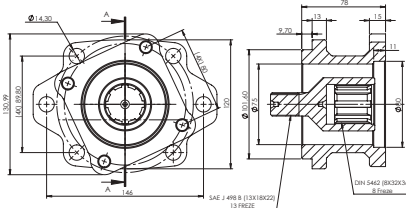
SAE B (PTO) - UNI (PUMP) ADAPTER



SPECIFICATIONS

Product Code	66100744
Weight	2.6 Kg

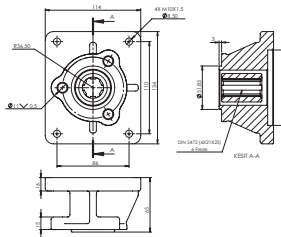
SAE B (PTO) - ISO (PUMP) ADAPTER



SPECIFICATIONS

Product Code	66100745
Weight	2.6 Kg

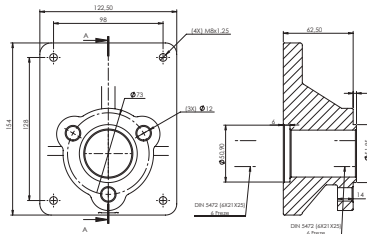
UNI (PTO) - NS32 M4 (PUMP) ADAPTER



SPECIFICATIONS

Product Code	66100746
Weight	2.6 Kg

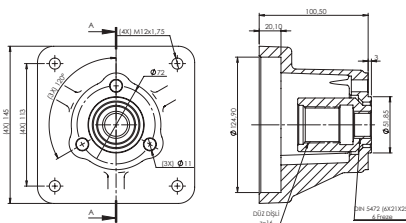
HEMA ADAPTER



SPECIFICATIONS

Product Code	66100747
Weight	2.6 Kg

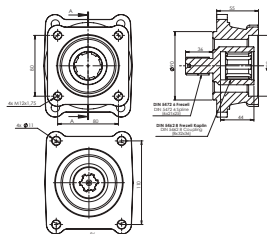
ISO (PTO) - UNI (PUMP) RUS ADAPTER



SPECIFICATIONS

Product Code	66100748
Weight	2.6 Kg

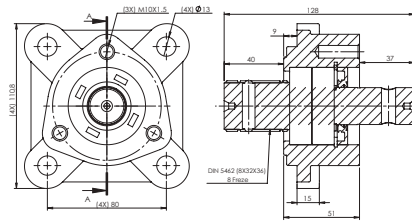
NSH32 (PTO) - ISO (PUMP) ADAPTER



SPECIFICATIONS

Product Code	66101750
Weight	2.6 Kg

ISO - KEYED SHAFT ADAPTER



SPECIFICATIONS	
Product Code	66101752
Weight	2.6 Kg

ADAPTERS

PTO Control



PTO control components, including joysticks, switches, and control cables, provide precise operation of PTOs and connected hydraulic equipment. They ensure safe and efficient engagement under all working conditions. Built with durability and accuracy, Liwa Hydraulics PTO control components deliver consistent performance and ease of use across many applications.



pto control



PNEUMATIC JOYSTICK WITH PTO SWITCH

Product Code 66250230



PNEUMATIC JOYSTICK WITHOUT PTO SWITCH

Product Code 66250230N



MOUNTING BOX FOR JOYSTICK (CAB CONTROL)

Product Code 66250001



PNEUMATIC TIPPING CONTROL SWITCH (CAB CONTROL) - 1 WAY

Product Code 66250277



PNEUMATIC TIPPING CONTROL SWITCH (CAB CONTROL) - 1 WAY WITH LIGHT

Product Code 66250277L



PNEUMATIC TIPPING CONTROL SWITCH (CAB CONTROL) - 2 WAY

Product Code 66250260



PNEUMATIC TIPPING CONTROL SWITCH (CAB CONTROL) - 3 WAY

Product Code 66250250



PNEUMATIC TIPPING CONTROL SWITCH (CAB CONTROL) - 4 WAY

Product Code 66250240



MULTI FUNCTION JOYSTICK BODY

Product Code 66250281



MULTI FUNCTION JOYSTICK - V1

Product Code 66250271



MULTI FUNCTION JOYSTICK - V2

Product Code 66250272



MULTI FUNCTION JOYSTICK - V3

Product Code 66250273



MULTI FUNCTION JOYSTICK - V4

Product Code 66250274



PNEUMATIC TIPPING CONTROL (CAB CONTROL) - 1 WAY

Product Code 66250270



PNEUMATIC LIMIT CONTROL VALVE (END OF STROKE)

Product Code 66250220



MECHANIC PTO CONTROL WITH CABLE

Product Code 66250280

PTO CONTROL

Couplings Flanges

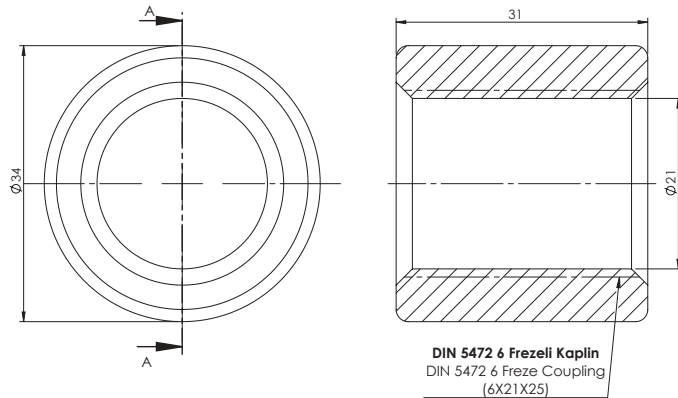


Couplings and flanges provide secure connections between different shafts and components, providing smooth power transmission across the system. They are designed for precise fit and reliable alignment, allowing straightforward installation without major modifications.



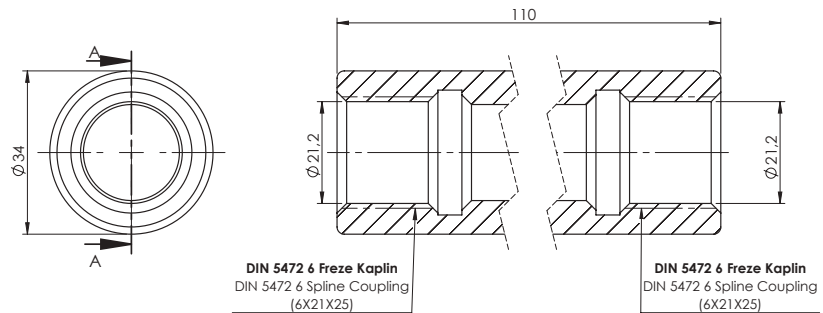
couplings & flanges

6X6 COUPLING



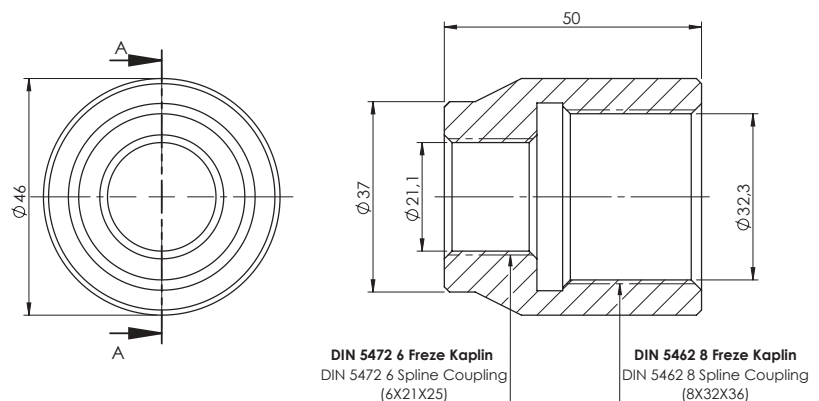
Product Code 66100775

6X6 LONG COUPLING



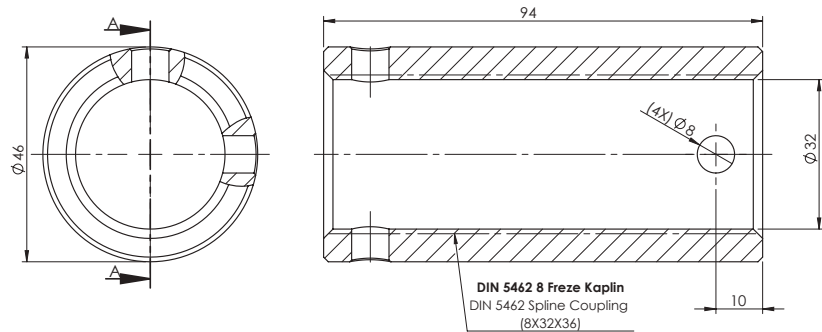
Product Code 66100774

6X8 COUPLING



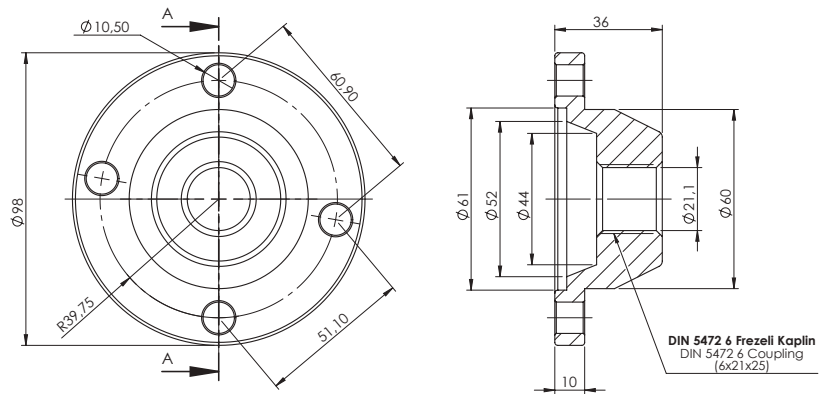
Product Code 66100770

8X8 COUPLING



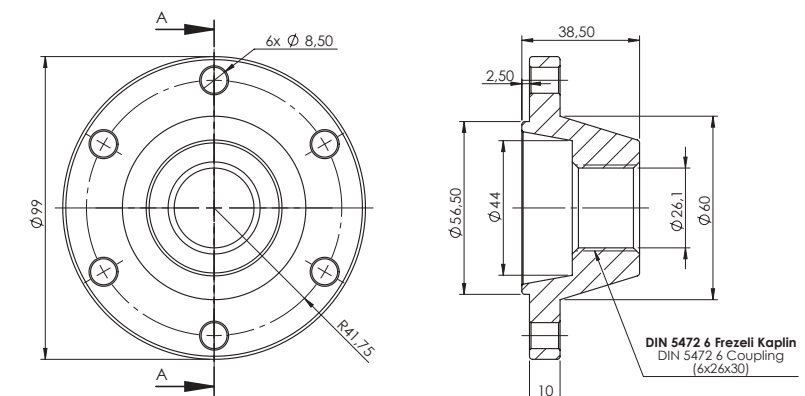
Product Code 66100773

6 SPLINES 4 HOLES FLANGE



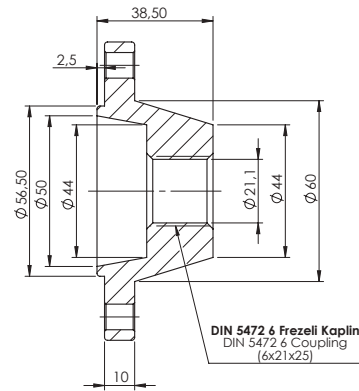
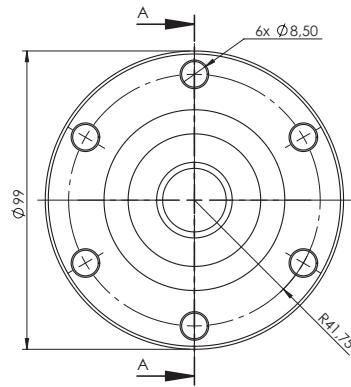
Product Code 66100755

6 SPLINES 6 HOLES SMALL FLANGE



Product Code 66100751

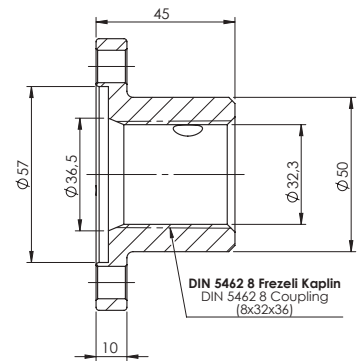
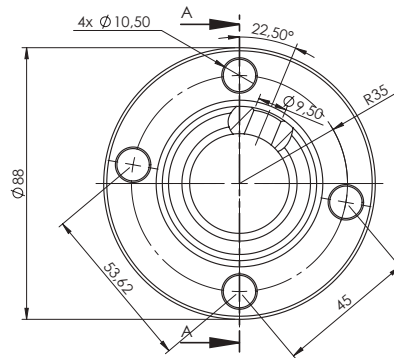
6 SPLINES 6 HOLES BIG FLANGE



DIN 5472 6 Frezeli Kaplan
DIN 5472 6 Coupling
(6x21x25)

Product Code 66100750

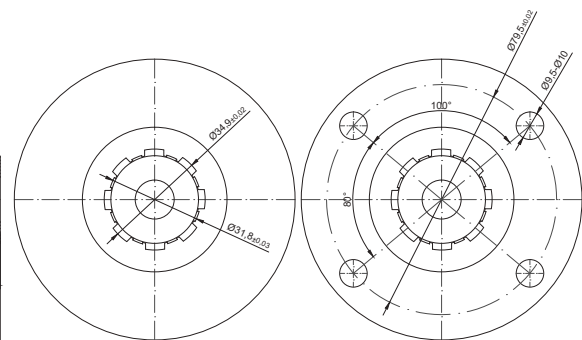
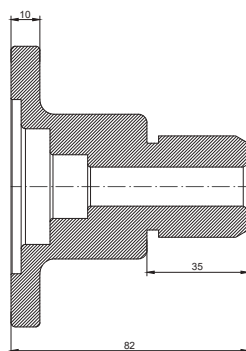
8 SPLINES 4 HOLES FLANGE



DIN 5462 8 Frezeli Kaplan
DIN 5462 8 Coupling
(8x32x36)

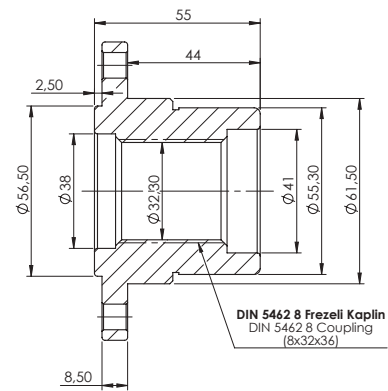
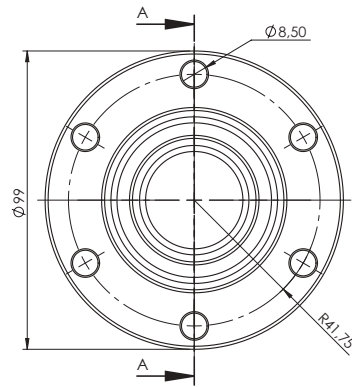
Product Code 66100760

8 SPLINES 4 HOLES MALE FLANGE



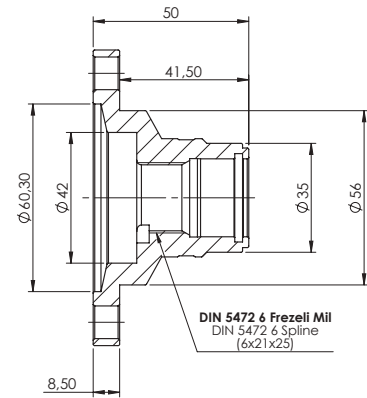
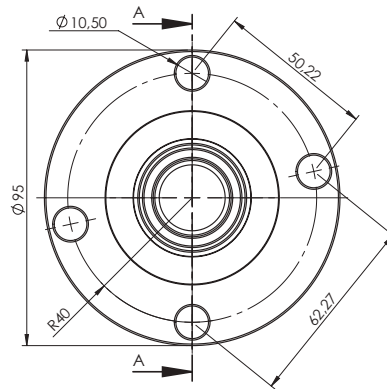
Product Code 66100763

8 SPLINES 6 HOLES FLANGE



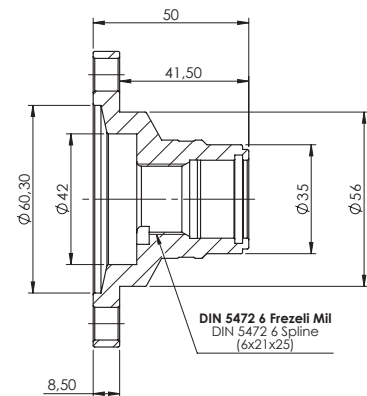
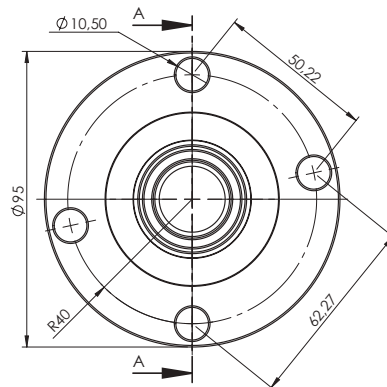
Product Code 66100765

KMZ FLANGE



Product Code 66100761

RUSSIAN FLANGE KIT

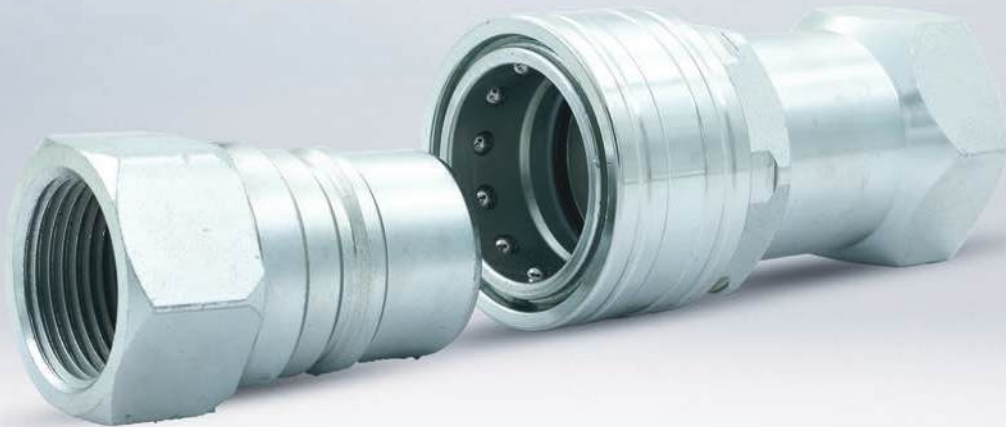


Product Code 66100762

Accessories



Hydraulic accessories support the safe and efficient operation of hydraulic systems. They help maintain fluid cleanliness, monitor system conditions, and ensure secure connections between various components.



accessories



FILLER CAP WITH FILTER

Product Code 88100056



METAL FILLER CAP WITH FILTER

Product Code 88100056M



FILTER FOR FILLER CAP

Product Code 88100056-01



RETURN FILTER

Product Code Product Type

88100048 100 LT

88100052 110 LT

88100053 150 LT

88100049 180 LT

88100181 215 LT

88100054 240 LT

88100055 260 LT



CIRCLE FILTER FLANGE

Product Code 88100059



SQUARE FILTER FLANGE

Product Code 88100060



OIL LEVEL CONTROL EYE

Product Code 77900011



OIL LEVEL INDICATOR

Product Code Product Type

88100050 76mm

88100051 127mm



BALL VALVE

Product Code Product Type

88100062 R 1/2"

88100063 R 3/4"

88100064 R 1"

88100065 R 1 1/4"

88100066 R 1 1/2"

88100067 R 2"



HOSE CLIP

Product Code Product Type

88100068 Ø44 - Ø46

88100069 Ø47 - Ø51

88100070 Ø52 - Ø55

88100071 Ø56 - Ø61

88100072 Ø62 - Ø66

88100073 Ø74 - Ø83



HOSE CLIP (PLASTIC)

Product Code Product Type

88100107 Ø27

88100108 Ø34



PTO SWITCH

Product Code

55149001



BARBED HOSE CONNECTOR ELBOW

Product Code	Product Type
88100099	R 1"
88100100	R 1 1/4"
88100101	R 1 1/2"
88100102	R 2"



BARBED HOSE CONNECTOR STRAIGHT

Product Code	Product Type
88100103	R 3/4" - Ø32
88100077	R 1" - Ø32
88100104	R 1" - Ø39
88100078	R 1 1/4" - Ø39
88100105	R 1 1/4" - Ø45
88100079	R 1 1/2" - Ø45
88100106	R 1 1/2" - Ø51
88100080	R 2" - Ø51



QUICK COUPLING

Product Code	Product Type
88100081	QUICK COUPLING R 3/4"
88100082	QUICK COUPLING R 1"
88100083	QUICK COUPLING R 1 1/4"
88100084	QUICK COUPLING R 1 1/2"
88100085	QUICK COUPLING R 2"



FITTING (UNF)

Product Code	Product Type
88100089	R 1/2" - 5/8 UNF
88100093	R 1/2" - 7/8 UNF
88100088	R 3/4" - 7/8 UNF
88100092	R 3/4" - 1 1/16 UNF
88100086	R 1" - 5/8 UNF
88100087	R 1" - 1 1/16 UNF
88100090	R 1" - 1 5/16 UNF



FITTING

Product Code	Product Type
88100109	R 3/4" - R 3/4"
88100110	R 1" - R 1"
88100111	R 1 1/4" - R 1 1/4"
88100112	R 1 1/2" - R 1 1/2"
88100098	R 2" - R 1 1/2"
88100113	R 2" - R 2"



90° ELBOW FITTING

Product Code	Product Type
88100135	5/8 UNF - 5/8 UNF
88100136	7/8 UNF - 7/8 UNF
88100137	1 1/16 UNF - 1 1/16 UNF
88100138	1 5/16 UNF - 1 5/16 UNF



"T" FITTING

Product Code	Product Type
88100125	5/8 UNF
88100126	7/8 UNF
88100127	1 1/16 UNF
88100128	1 5/16 UNF



"T" FITTING MALE

Product Code	Product Type
88100129	5/8 UNF
88100130	7/8 UNF
88100131	1 1/16 UNF
88100132	1 5/16 UNF



"T" FITTING FEMALE

Product Code	Product Type
88100141	R 3/8"
88100142	R 1/2"
88100143	R 3/4"
88100144	R 1"



MALE FITTING FOR TIPPING VALVE

Product Code	Product Type
88100133	R 1" - 1 5/16 UNF
88100134	R 3/4" - 1 1/16 UNF



FEMALE FITTING FOR TIPPING VALVE

Product Code	Product Type
88100145	R1" - REVERSE



REDUCER	
Product Code	Product Type
88100118	R 3/4" - R 1/2"
88100119	R 1" - R 3/4"
88100120	R 1 1/4" - R 1"
88100121	R 1 1/2" - R 1 1/4"
88100122	R 1 3/4" - R 1 1/4"
88100123	R 2" - R 1 1/4"
88100124	R 2" - R 1 1/2"



FITTING INCREASER	
Product Code	Product Type
88100139	R 1 1/4" - R 1"
88100140	R 1" - R 3/4"



BLIND PLUG	
Product Code	Product Type
88100146	R 1/4"
88100147	R 1/2"
88100148	R 3/4"
88100149	R 1"
88100150	R 1 1/4"



COPPER WASHER	
Product Code	Product Type
88100151	R 3/8"
88100152	R 3/4"
88100153	R 1"
88100154	R 1 1/4"

WASHER WITH SEAL	
Product Code	Product Type
88100165	R 3/8"
88100166	R 1/2"
88100167	R 3/4"
88100168	R 1"
88100169	R 1 1/4"
88100170	R 1 1/2"
88100171	R 2"



POLYAMIDE AIR HOSE	
Product Code	Product Type
88100155	Ø6 - 10 mt
88100156	Ø6 - 15 mt
88100157	Ø6 - 20 mt
88100158	Ø6 - 25 mt
88100159	Ø6 - 30 mt
88100160	Ø6 - 35 mt
88100184	Ø8 - 10 mt
88100185	Ø8 - 15 mt
88100186	Ø8 - 20 mt
88100187	Ø8 - 25 mt
88100188	Ø8 - 30 mt
88100189	Ø8 - 35 mt



AIR FITTING STRAIGHT	
Product Code	Product Type
88100175	M12 - Ø6
88100176	R 1/4" - Ø6
88100177	R 1/8" - Ø6
88100178	M12 - Ø8
88100179	R 1/4" - Ø8
88100180	R 1/8" - Ø8



AIR FITTING ELBOW	
Product Code	Product Type
88100161	M12 - Ø6
88100162	R 1/4" - Ø6
88100163	R 1/8" - Ø6
88100181	M12 - Ø8
88100182	R 1/4" - Ø8
88100183	R 1/8" - Ø8



"T" AIR FITTING	
Product Code	Product Type
88100172	Ø6
88100173	Ø8



AIR HOSE KIT WITH PNEUMATIC FITTINGS	
Product Code	Product Type
88100164	

Hydraulic Hoses



Hydraulic hoses transport fluid between components. They are designed to withstand high pressure, temperature variations, and demanding operating conditions while maintaining reliable flow. Liwa Hydraulics hoses are also available in custom lengths, ensuring a perfect fit for each application.



hydraulic hoses

SUCTION HOSE R4



SPECIFICATIONS					
Length (mm)	3/4"	1"	1 1/4"	1 1/2"	1 3/4"
1000	88553401	88551001	88551401	88551201	88552001
1500	88553402	88551002	88551402	88551202	88552002
2000	88553403	88551003	88551403	88551203	88552003
2500	88553404	88551004	88551404	88551204	88552004
3000	88553405	88551005	88551405	88551205	88552005
3500	88553406	88551006	88551406	88551206	88552006

PRESSURE HOSE R2 - 90° ELBOW - STRAIGHT



SPECIFICATIONS					
Length (mm)	3/4"	1"	1 1/4"	1 1/2"	2"
1000	88603401	88601001	88601401	88601201	88602001
1500	88603402	88601002	88601402	88601202	88602002
2000	88603403	88601003	88601403	88601203	88602003
2500	88603404	88601004	88601404	88601204	88602004
3000	88603405	88601005	88601405	88601205	88602005
3500	88603406	88601006	88601406	88601206	88602006

PRESSURE HOSE R2 - STRAIGHT - STRAIGHT



SPECIFICATIONS					
Length (mm)	3/4"	1"	1 1/4"	1 1/2"	2"
1000	88653401	88651001	88651401	88651201	88652001
1500	88653402	88651002	88651402	88651202	88652002
2000	88653403	88651003	88651403	88651203	88652003
2500	88653404	88651004	88651404	88651204	88652004
3000	88653405	88651005	88651405	88651205	88652005
3500	88653406	88651006	88651406	88651206	88652006

PRESSURE HOSE R2 - 90° ELBOW - 90° ELBOW



SPECIFICATIONS					
Length (mm)	3/4"	1"	1 1/4"	1 1/2"	2"
1000	88703401	88701001	88701401	88701201	88702001
1500	88703402	88701002	88701402	88701202	88702002
2000	88703403	88701003	88701403	88701203	88702003
2500	88703404	88701004	88701404	88701204	88702004
3000	88703405	88701005	88701405	88701205	88702005
3500	88703406	88701006	88701406	88701206	88702006

Hydraulic Wet Kits

Hydraulic wet kits include all the components needed for installation, packed together for convenience. We can create custom kits tailored to your specific requirements, making it easier to handle and install complete hydraulic systems. Please contact us to find the kit that you need!

[Click here to create your own kit!](#)

Pumps



PTO's



Valves



Oil Tanks



PTO Control



Filters and Caps



hydraulic wet kits

since 2004

LIWA
HYDRAULICS

HIGH QUALITY HYDRAULIC EQUIPMENT



LIWA HYDRAULICS

Fevzi Çakmak Mahallesi 10465. Sk. Karatay | Konya / Turkey

www.liwahydraulic.com

liwa@liwahydraulic.com

+90 332 342 10 21

+90 534 234 63 89 (Mobile)

+90 539 592 71 71 (Mobile)