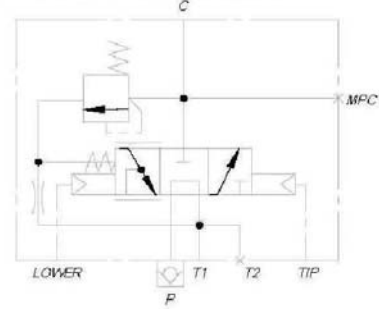
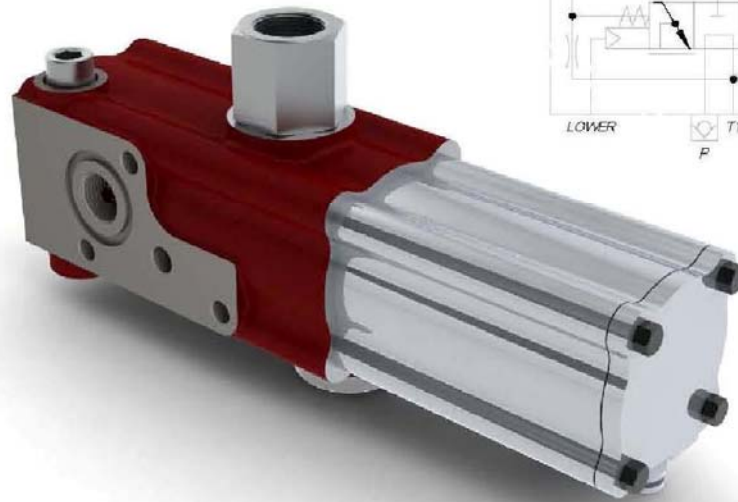


## PROPORTIONAL TIPPING VALVE -AIR OPERATING



### Specifications

|                                 |  |
|---------------------------------|--|
| <b>type</b>                     | : Spool valve with pressureless bypass in neutral. Oil flow in lowering position is proportional with pneumatic pilot pressure . |
| <b>hydraulic connectional</b>   | : G1"  |
| <b>max. peak pressure</b>       | : 350 bar  |
| <b>pneumatic pilot pressure</b> | : 6-10 bar   |
| <b>max. flow</b>                | : 220 L/min. (see $\Delta p$ -Q characteristic)  |
| <b>max. pressure on T-conn.</b> | : 15 bar   |
| <b>filtration</b>               | : $\leq 25\mu\text{m}$ (ISO 18/13)   |
| <b>Oil types</b>                | : mineral oil (DIN 51524/51525)  |
| <b>Viscosity range</b>          | : 12 / 100 mm <sup>2</sup> /s  |
| <b>Temperature range</b>        | : -25 / +80 °C   |
| <b>mass</b>                     | : 6.4 kg   |

### types

| Part No. | Max. Pressure |
|----------|---------------|
| 01-150   | 150           |
| 02-170   | 170           |
| 03-190   | 190           |
| 04-220   | 220           |
| 05-250   | 250           |
| 06-280   | 280           |
| 07-350   | 350           |